



Horizontal Sliders

Across the Board!® Adjustable Boards



Assembly Instructions

Horizontal Slider – Installation Instructions

Thank you for purchasing this Best-Rite Horizontal Slider. Your new slider will give you many years of excellent service, if properly installed and maintained. To ensure proper installation and ensure a lifetime of service, please follow the installation and maintenance procedures below. We recommend that you read through and understand all of the instructions before starting installation. **Please Note: Horizontal sliders are heavy and may require a crew of two or three people for proper installation.**

Step 1: Determine and mark the horizontal position of the slider. Mark the wall where the ends of the board will be located. It is advisable to make these marks $\frac{1}{4}$ " less, on each end, than the total width and approximately two inches up from the planned bottom of the board, so they are covered when the installation is complete. (Marks for an 8' board should be approximately 7' 11 $\frac{1}{2}$ " apart.)

Step 2: Determine and mark the vertical position of the slider. Mark a level line 2" above where you want the bottom of the board; using a string line or a laser level. For proper functioning of the slider panels this line must be level so we recommend using a laser level for this step.

Step 3: Determine and mark wall stud locations. Determine and mark the location of the studs along the bottom line established in Step 2 above. Now while one or two crew members hold the 2" mounting angle on the line centered approximately 2-3/4" inside the end marks from Step 1; transfer the stud position marks to the mounting angle. Mark the leg of the angle **without** pre-drilled holes. The mounting angle is approximately 6" shorter than the total length of the sliding unit and has pre-drilled holes for mounting the bottom of the slider on one leg.

Step 4: Drill and mount the support angle. Pre drill the angle $\frac{3}{4}$ " down from the top of the leg with a $\frac{3}{16}$ " drill bit, at each mark. Mount the angle to the wall by installing one of the large (#10 X 1-1/4") screws, furnished with your unit, through each hole and into the wall studs. Be sure and install a screw in every stud behind the unit.

Step 5: Determine and mark positions of top mounting L-clips. For a 4' high unit, mark a level line for the top row of screws and L-clips 45 $\frac{1}{2}$ " above the first line from Step 2 above. For proper functioning of the slider panels this line must be level so we recommend using a laser level for this step. Mark the wall stud center-line location on this line.

Step 6: Install top mount L-clips. Attach an L-clip at each stud, by installing one of the large supplied screws centered in the L-clip slot, to allow adjustment up and down. The screws should be centered on the line drawn in Step 5 above and the center line of each stud. Verify the dimension between the 2" angle and the L-clip to ensure the unit will fit, see Figure 1.

Step 7: Install the slider board/frame. With assistance and proper lifting technique set the board onto the bottom angle and then push into the wall at the top. One crew member should then hold the board snug against the wall. Using the short self-drilling screws, attach the board/frame to the L-clips and bottom angle. To complete the installation of

the main frame, securely install the small screws in all of the L-clips and at each pre-drilled hole in the bottom mounting angle, into the board. Verify that the top rail is level and does not bow up or down.

Note: You may install the accessories and end stops on the map-rail, using the short screws, at this point.

Step 8: Install hanging brackets on slider panels. Install the hanging brackets onto each panel using the predrilled holes (See Fig 2). Each hanger is marked with a number that corresponds to a matching number on the back of the panel frame. Install the hanger marked “1” to the mounting holes labeled “1” on the panel trim, hanger “2” on frame location “2” and so on for each bracket.

Step 9: Install slider panels in frame (see illustrations following Fig 3 below). With the user surface facing outward lift the rear sliding panel, with installed hangers, up into the top track. The posts on the mounting brackets fit between the tracks, allowing the bottom of the panel to swing in over the bottom tracks. Lower the panel into the bottom rear track. Position the back panel to the right side of the unit.

Now repeat the process with the front panel, except set its bottom into the front slot and to the left side of the unit. Position the carriers on the track near the corresponding hanging bracket for each panel. Lift the right end of the back panel up and into the slot on the carrier bracket on the back track (this slot faces forward on the back track). Then lift the left side of the front panel up and into the carrier bracket on the front track, (this slot faces the rear of the unit).

Slide the rear panel on the back track toward the center of the unit. Slide the front panel to the right side of the unit and then hook the right side bracket on the front panel on its carrier on the front track. Slide the back panel over to the left side of the unit and hook the left side bracket onto the carrier on the back track.

Step 10: Finishing the Installation: Turn the lock nuts on the mounting bracket studs until they are snug against the bottom of the carrier. Tighten the nuts on the brackets with the supplied wrench, to keep the panel locked to the carrier. If you did not install the map-rail accessories after Step 7; install them now along with the Chalk-tray using the short self-drilling screws provided. Remove any protective film from marker board surfaces before use, according to the instructions on each panel.

Maintenance: Remember, to protect the investment in your new slider, please use only Best-Rite markers, erasers, and other board accessories. For additional information look us up on the Internet at www.moorecoinc.com, or call customer service between 8:00 a.m. and 5:00 p.m. CST at (866) 886-6935.



Fig 1

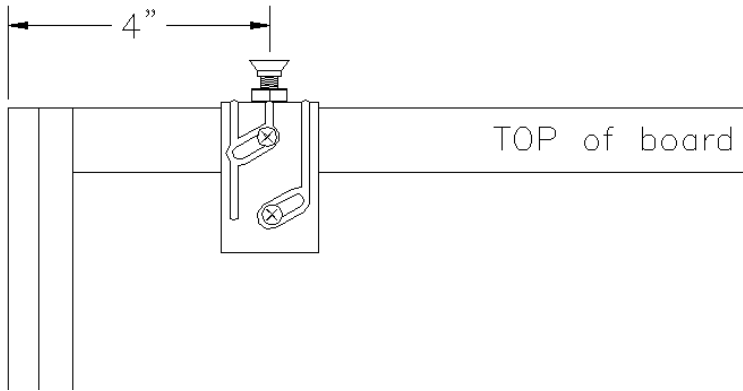


Fig 2

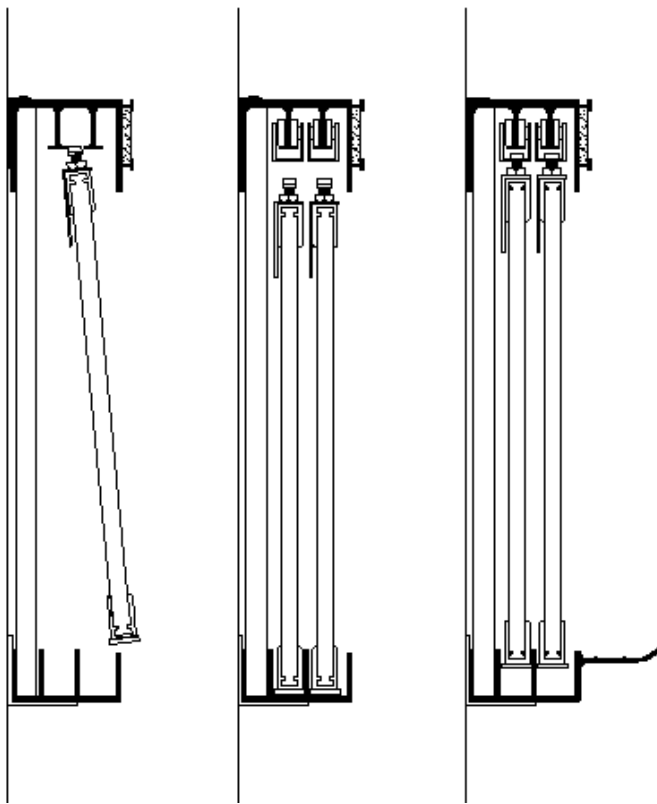


FIG 3 Insert panels then hook up to carriers.

