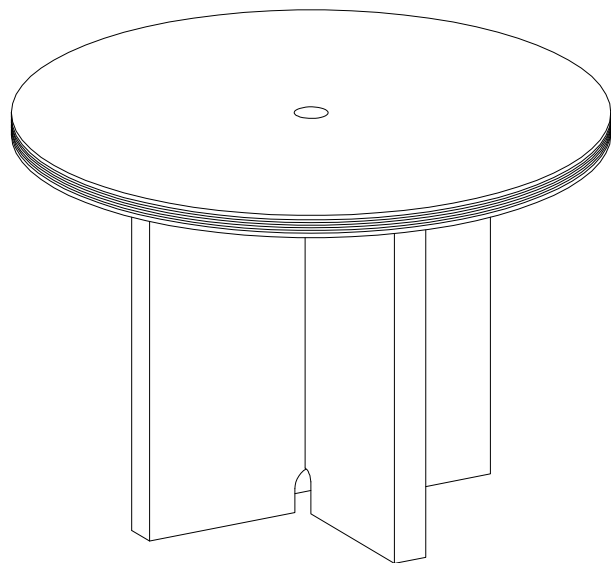


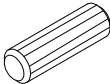

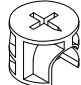
Aberdeen Series™
Round Conference Table
Model No. ACTR42


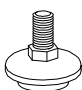

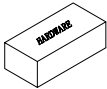


ASSEMBLY INSTRUCTIONS

CALL 1-800-822-8037 FOR ASSISTANCE


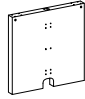
PARTS LIST


Name	Part	Qty.	Spare Qty
A	 REALS004 Wood Dowel	16	1
B	 REALS003 Cam Post	20	1
C	 REALS001 Cam Fastener	20	1

Name	Part	Qty.	Spare Qty
D	 REALS102** Cam Sticker	20	1
E	 REALS067 Leveler	4	
F	 REALS100 Grommet	1	
	 ACTR42HB		

Items with HB are in hardware box.
 **Denotes Color Code

PARTS LIST

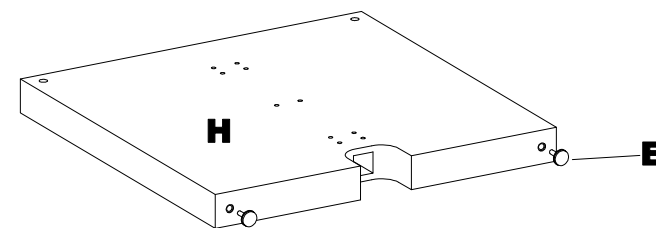
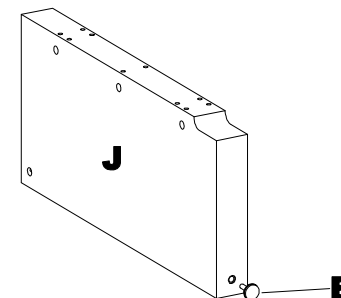
Name	Part	Qty.
G	 ACTR42G** Top	1
H	 ACTR42H** Table Leg	1

Name	Part	Qty.
J	 ACTR42J** Table Leg	2

**Denotes Color Code

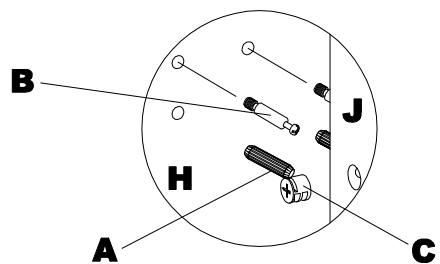
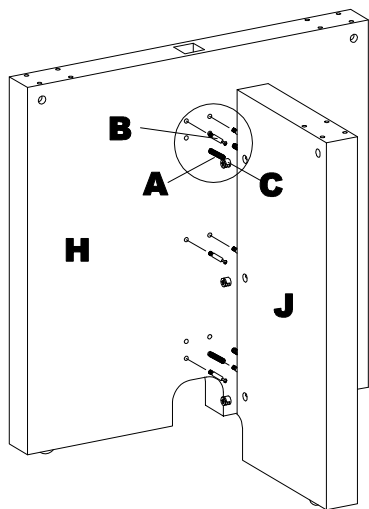
2

1 Install Leveler (E) into Table Legs (H, J).



3

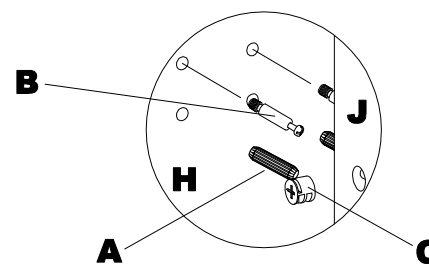
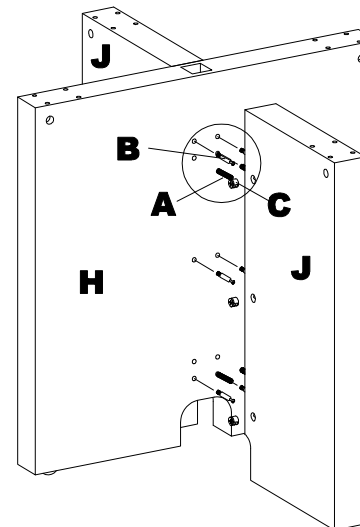
- 2** Insert Wood Dowels (A) and Cams (C) into Half Table Leg (J). Install Cam Posts (B) into threaded inserts in Full Table Leg (H). Attach Full Table Leg (H) to Half Table Leg (J) by turning Cams (C).



NOTE: The arrow on the face of the Cam (C) should point towards the Cam Post (B) for proper alignment.

4

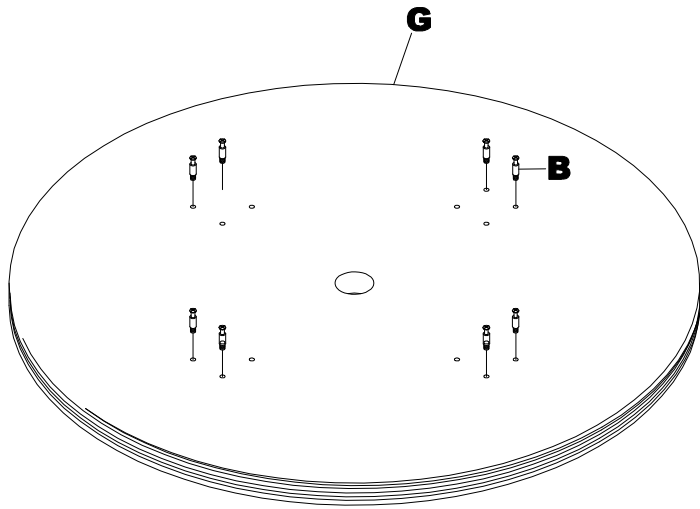
- 3** Insert Wood Dowels (A) and Cams (C) into Half Table Leg (J). Install Cam Posts (B) into threaded inserts in Full Table Leg (H). Attach Full Table Leg (H) to Half Table Leg (J) by turning Cams (C).



NOTE: The arrow on the face of the Cam (C) should point towards the Cam Post (B) for proper alignment.

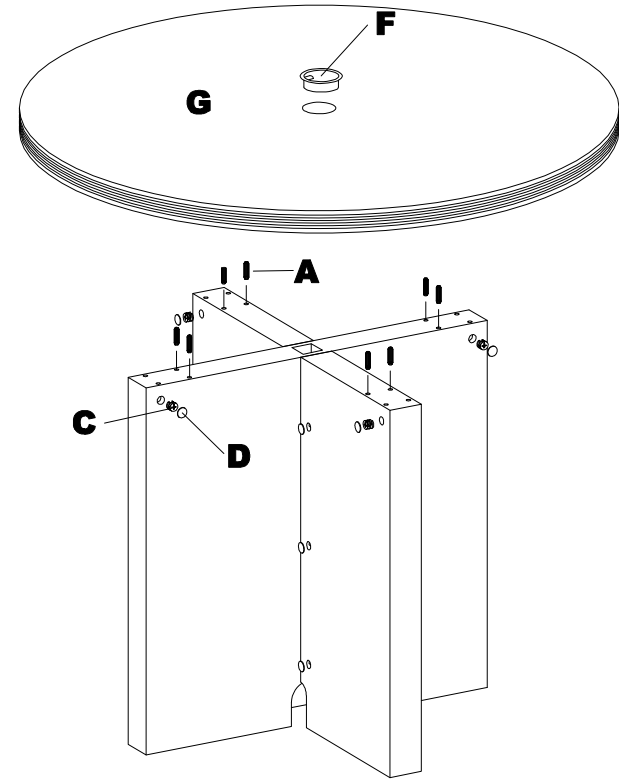
5

- 4** Install Cam Posts (B) into threaded inserts in the underside of the Top (G).



6

- 5** Insert Wood Dowels (A) and Cams (C) into the tops of the Half Table Legs (J) and Full Table Leg (H). Attach Full Table Leg (H) and Half Table Leg (J) to the Top (G) by turning Cams (C). Insert Grommet (F) into Top (G). Apply Cam Stickers (D) to exposed Cams (C).



7