

Dock Seal (Heavy Duty w Pleats) Installation Instructions

ATTENTION: TO ENSURE SAFE AND EASY USE OF YOUR WESCO DOCK SEAL, READ THESE INSTRUCTIONS BEFORE USING.

Description

The Wesco Heavy Duty Dock Seals are designed to improve safety and productivity, reduce costs, and provide protection. They feature 40 oz high-tear-abrasion-resistant fabrics, 99% memory foam core and a condensation drainage system.

This product is distributed by:

Wesco Industrial Products, LLC
1250 Welsh Road
North Wales, PA 19454
Tel: 215-699-7031 Fax: 215-699-3836

Contact the factory for parts information and ordering.
Visit us on the web at www.wescomfg.com



Unpacking

When unpacking the Wesco Product, check carefully for shipping damage and missing parts. If damage has occurred or any parts are missing, file a claim with the delivering carrier within 24 hours and notify the dealer from whom the unit was purchased.

Warranty Repairs

If the unit does not work properly, contact your dealer or the factory (215-699-7031) for units less than one year.

Non-Warranty Service

If units are older than one year, repairs can be made easily on site with factory supplied parts.

NOTE: Do not send units to the factory for service without first obtaining a "Return Merchandise Authorization" (RMA) number from the customer service department. We will not be responsible for merchandise returned without proper authorization.

Installation Items Lists

Component List

| Description | Qty |
|---------------------------|-----|
| Vertical Seal Pad | 2 |
| Head Pad | 1 |
| Installation Instructions | 1 |

Supplied Hardware List

| Description | Qty |
|---------------------------|-----|
| Large Angle Brackets | 6 |
| Lag Screws, 1/4" x 1-1/2" | 24 |
| Large Flat Brackets | 6 |
| Roofing Nails | 4 |

Suggested Tools List

| Description |
|--------------------------|
| #1 Robertson Screwdriver |
| #2 Robertson Screwdriver |
| 3/8" Hex Head Driver Bit |
| 5/6" Masonry Drill Bit |
| Caulking |
| Hammer |
| Pencil |
| Plumb Line or Level |
| Power Drill |
| Square |
| Tape Measure |

Hardware NOT Supplied List

| Description |
|------------------------------------|
| Wedge Anchors/Sleeve Anchors |
| Anchors to Attach Brackets to Wall |
| Silicone Caulk |

ATTENTION: TO ENSURE SAFE AND EASY USE OF YOUR WESCO DOCK SEAL, READ THESE INSTRUCTIONS BEFORE USING.

FIXED HEAD PAD DOCK SEAL INSTALLATION INSTRUCTIONS

- 1) **Determine Centerline of Door Opening (See Figure 1).**
 - a. Measure width of opening and mark centerline on dock floor and above the opening.
 - b. Measure the Curtain Header and mark half the Header distance on the left and right of the centerline – at the floor height and at the lintel. This marks the outer edge of the Seal Pads.
- 2) **Mount Brackets Sets to Vertical (Side) Pads (See Figure 2).**
 - a. The top and bottom brackets should be placed 9" from the top & bottom of each Vertical Pad. The Angle Brackets should be mounted on the outside of the Vertical backer – Flat Brackets mount to the inside edge of the Vertical backer. The 3rd brackets set should be attached at or near the middle of the Vertical. **Note: the bottom of each Vertical Pad will have a mesh section – The top will not have the mesh section. 3.**
- 3) **Mount Vertical Pads to the Wall (See Figure 2).**
 - a. The Vertical Pads should be placed with the outside edge of the Pad backer board flush with the marks in step 1.
 - b. The bottom of each Vertical Pad even with the dock floor - or at the top of raised dock bumpers.
 - c. Vertical Pads should be plumb from top to bottom.
 - d. Once the Vertical Pad is placed on the Wall, attach the Angle Brackets to the Wall with appropriate fasteners.
Note: these fasteners must be provided by others – not provided with Seal – and should be suitable to wall construction – steel, block, cast concrete, wood, etc.*
 - e. Attach the Flat Bracket to the jambs with appropriate fasteners.
Note: these fasteners must be provided by others – not provided with Seal – and should be suitable to wall construction – steel, block, cast concrete, wood, etc.*
- 4) **Mount Curtain Header to Wall.**
 - a. Center Curtain Header over the Vertical Pads using the Center Line (step 1).
 - b. Each end of the Curtain Header should be even with the outside edge of each Vertical Pad backer board.
 - c. Once the Curtain Header is placed on the Wall above the Vertical Pads, attach the 2x4 Pressure Treated Wood backers to the Wall with the 3-1/2" face against the Wall.

(CONTINUED ON PAGE 3)

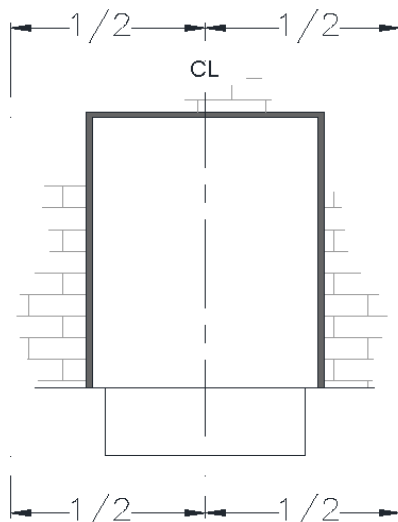


Figure 1

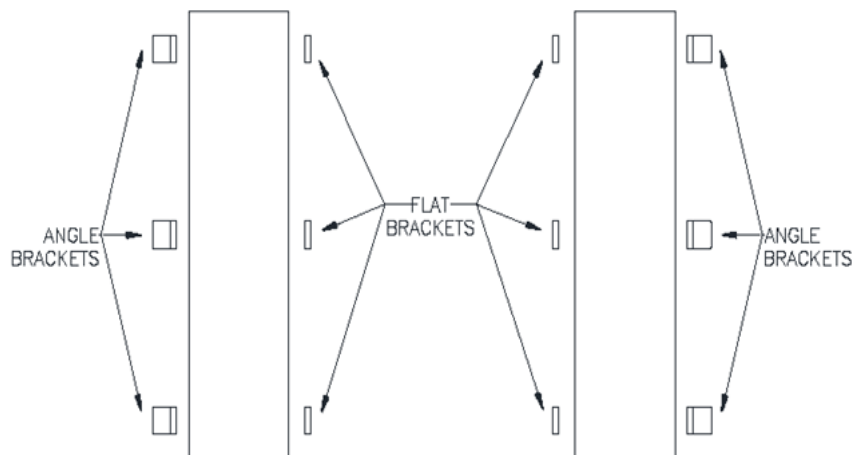


Figure 2

ATTENTION: TO ENSURE SAFE AND EASY USE OF YOUR WESCO DOCK SEAL, READ THESE INSTRUCTIONS BEFORE USING.

FIXED HEAD PAD DOCK SEAL INSTALLATION INSTRUCTIONS

4) Determine Mount Curtain Header to Wall. (Continued)

- d. Drill a fastener hole approx. 9" from the Left end of the 2x4 in the center of the 3-1/2" face of the backer. Then, drill a fastener hole approx. 9" from the Right end of the 2x4. Finally, drill a fastener hole approx. in the center of the 2x4 backer. Use (3) appropriate fasteners to attach the backer to the Wall.

Note: these fasteners must be provided by others – not provided with Seal – and should be suitable to wall construction – steel, block, cast concrete, wood, etc.*

- e. Attach the End Caps of the Curtain Header over the outside edge of each Vertical Pad by using (2) supplied nails through the end cap vinyl and into the backer board of the Left Vertical Pad and by using (2) supplied nails through the end cap vinyl and into the backer board of the Right Vertical Pad.
- f. Attach the Curtain Straps sewn to the inside drop of the Curtain to each side of the Left Vertical Backer and to each side of the Right Vertical Backer. On the inside of the Left and of the Right drop of the Curtain – the part of the Curtain that sits in front of the Vertical Pads – is a Curtain Strap. For each Curtain Strap, pull the Strap end closest to the middle of the opening around the Vertical Face and along the inside of the Vertical Pad. Then, up against the Building Wall, nail through the Strap into the Backer board of the Vertical so that the Strap will prevent the Curtain from blowing away from the Vertical Face when the wind pulls the Curtain outward. Similarly, for each Curtain Strap, pull the Strap end furthest from the middle of the opening around the Vertical Face and along the outside of the Vertical Pad. Again, up against the Building Wall, nail through the Strap into the Backer board of the Vertical so that the Strap will prevent the Curtain from blowing away from the Vertical Face when the wind pulls the Curtain outward. Attach the Curtain Straps for both the Left side and the Right side to the Left Vertical Pad and the Right Vertical Pad.

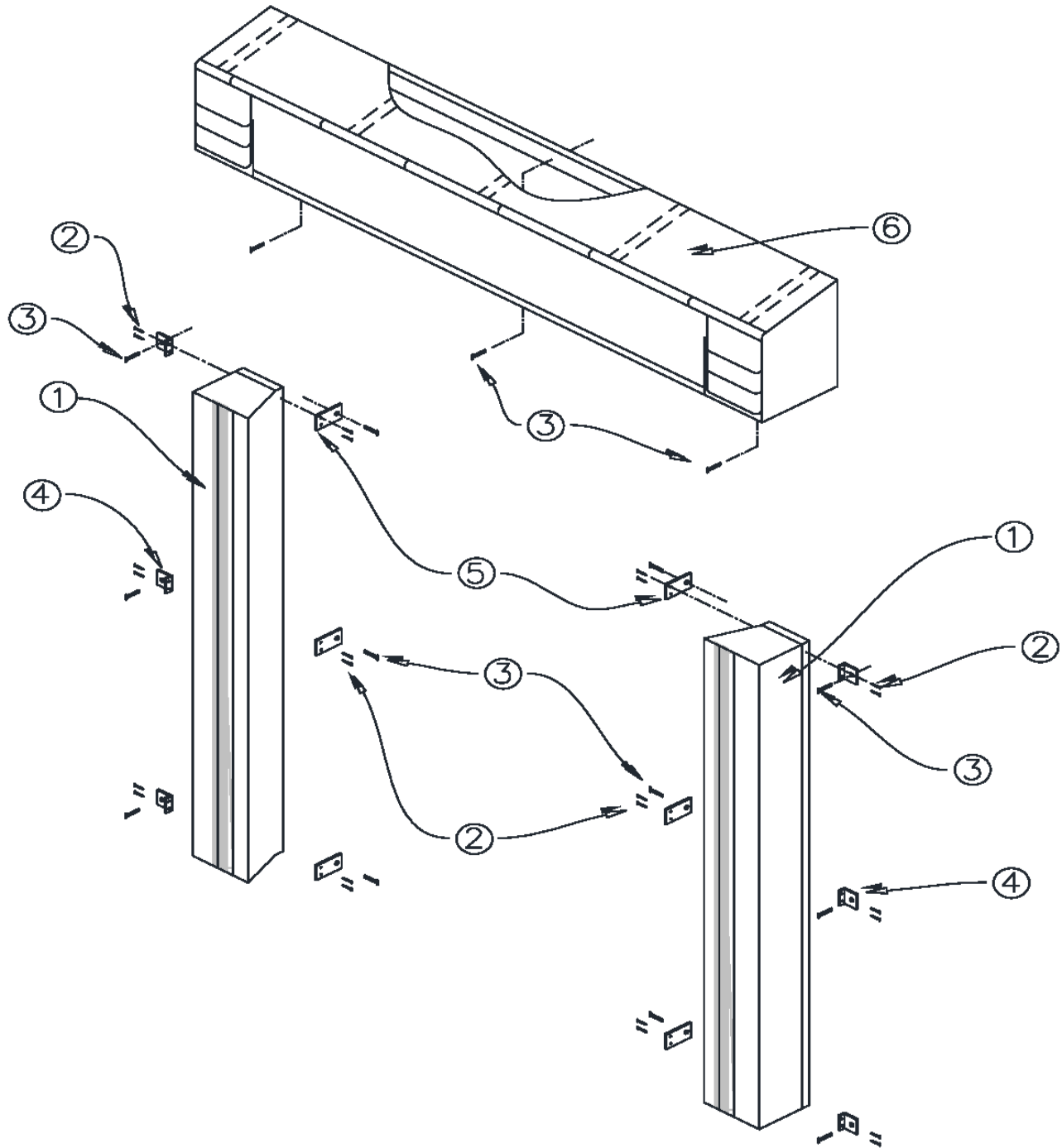
5.) Caulk between the 2x4 backer of the Curtain Header and Wall.

- a. We recommend using silicone caulk around the top and sides of the Head Pad.

***Note: These installation instructions are for an application where the Vertical Pads mount flush with the opening jambs (this is the case in most applications). If your application requires the Vertical Pads to be offset from the opening jambs, other Brackets will be required and are available. IT IS IMPORTANT, that you specify – if needed - the need for the type of Offset Brackets you require WHEN placing your order. ***

Dock Seal (Heavy Duty w Pleats)
Installation Instructions

ATTENTION: TO ENSURE SAFE AND EASY USE OF YOUR WESCO DOCK SEAL, READ THESE INSTRUCTIONS BEFORE USING.



| Item | Description |
|------|-----------------------------|
| 1 | Vertical Pad |
| 2 | Lag Screws. 1/4" x 1-1/2" |
| 3 | Wall Anchors (Not Included) |

| Item | Description |
|------|--------------------------------|
| 4 | Angle Bracket, 1-3/4" x 2-3/4" |
| 5 | Flat Bracket, 3" x 5" |
| 6 | Head Pad |