

Dock Seal (Heavy Duty Standard)

Installation Instructions

ATTENTION: TO ENSURE SAFE AND EASY USE OF YOUR WESCO DOCK SEAL, READ THESE INSTRUCTIONS BEFORE USING.

Description

The Wesco Heavy Duty Dock Seals are designed to improve safety and productivity, reduce costs, and provide protection. They feature 40 oz high-tear-abrasion-resistant fabrics, 99% memory foam core and a condensation drainage system.

This product is distributed by:

Wesco Industrial Products, LLC
1250 Welsh Road
North Wales, PA 19454
Tel: 215-699-7031 Fax: 215-699-3836

Contact the factory for parts information and ordering.
Visit us on the web at www.wescomfg.com



Unpacking

When unpacking the Wesco Product, check carefully for shipping damage and missing parts. If damage has occurred or any parts are missing, file a claim with the delivering carrier within 24 hours and notify the dealer from whom the unit was purchased.

Warranty Repairs

If the unit does not work properly, contact your dealer or the factory (215-699-7031) for units less than one year.

Non-Warranty Service

If units are older than one year, repairs can be made easily on site with factory supplied parts.

NOTE: Do not send units to the factory for service without first obtaining a "Return Merchandise Authorization" (RMA) number from the customer service department. We will not be responsible for merchandise returned without proper authorization.

Installation Items Lists

Component List

Description	Qty
Vertical Seal Pad	2
Head Pad	1
Installation Instructions	1

Supplied Hardware List

Description	Qty
Large Angle Brackets	9
Lag Screws, 1/4" x 1-1/2"	36
Large Flat Brackets	9

Suggested Tools List

Description
#1 Robertson Screwdriver
#2 Robertson Screwdriver
3/8" Hex Head Driver Bit
5/6" Masonry Drill Bit
Caulking
Hammer
Pencil
Plumb Line or Level
Power Drill
Square
Tape Measure

Hardware NOT Supplied List

Description
Wedge Anchors/Sleeve Anchors
Anchors to Attach Brackets to Wall
Silicone Caulk

ATTENTION: TO ENSURE SAFE AND EASY USE OF YOUR WESCO DOCK SEAL, READ THESE INSTRUCTIONS BEFORE USING.

FIXED HEAD PAD DOCK SEAL INSTALLATION INSTRUCTIONS

1) Determine Centerline of Door Opening (See Figure 1).

- Measure width of opening and mark centerline on dock floor and above the opening.
- Measure the Head Pad and mark half the Head Pad distance on the left and right of the centerline – at the floor height and at the lintel. This marks the outer edge of the Seal Pads.

2) Mount Brackets Sets to Vertical (Side) Pads (See Figure 2).

- The top and bottom brackets should be placed 9" from the top & bottom of each Vertical Pad. The Angle Brackets should be mounted on the outside of the Vertical backer – Flat Brackets mount to the inside edge of the Vertical backer. The 3rd bracket set should be attached at or near the middle of the Vertical.

Note: the bottom of each Vertical Pad will have a mesh section – The top will not have the mesh section.

3) Mount Vertical Pads to the Wall (See Figure 3).

- The Vertical Pads should be placed with the outside edge of the Pad backer board flush with the marks in step 1.
- The bottom of each Vertical Pad should be even with the dock floor - or at the top of raised dock bumpers.
- Vertical Pads should be plumb from top to bottom.
- Once the Vertical Pad is placed on the Wall, attach the Angle Brackets to the Wall with appropriate fasteners. **Note: these fasteners must be provided by others – not provided with Seal – and should be suitable to wall construction – steel, block, cast concrete, wood, etc.***
- Attach the Flat Bracket to the jambs with appropriate fasteners. **Note: these fasteners must be provided by others – not provided with Seal – and should be suitable to wall construction – steel, block, cast concrete, wood, etc.***

4) Mount Head Pad to Wall (See Figure 3).

- (3) Angle Brackets should be attached to the top of the Head Pad backer board with supplied Lag Screws – Left approx. 9" from end of backer, Right approx. 9" from end of backer, and Middle.

Note: the bottom of the Head Pad will have a mesh section – the top will not.

- Center Head Pad over the Vertical Pads using the Center Line (step 1).
- Each end of the Head Pad should be even with the outside edge of each Vertical Pad backer board.

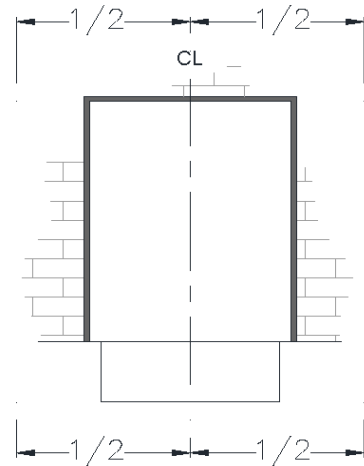


Figure 1

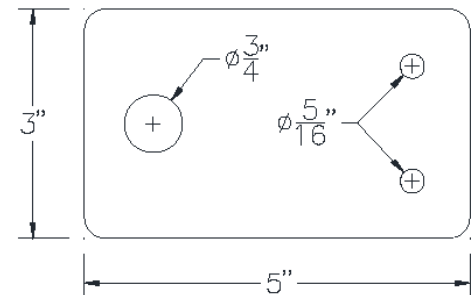


Figure 2.a

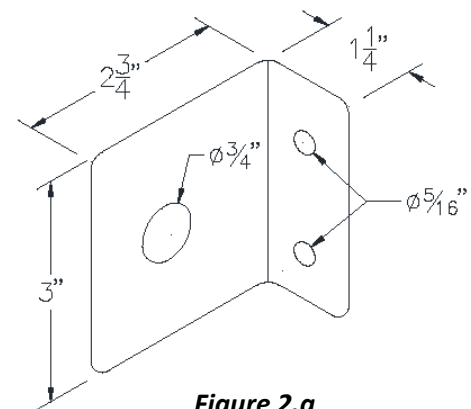


Figure 2.a

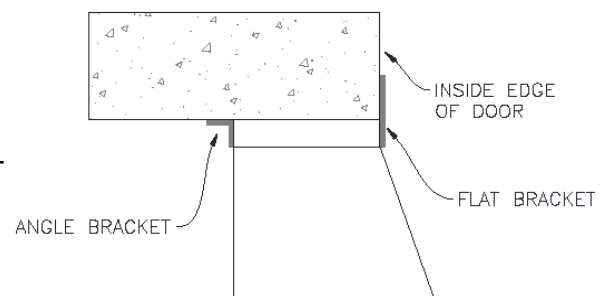


Figure 2.b

ATTENTION: TO ENSURE SAFE AND EASY USE OF YOUR WESCO DOCK SEAL, READ THESE INSTRUCTIONS BEFORE USING.

FIXED HEAD PAD DOCK SEAL INSTALLATION INSTRUCTIONS (CONTINUED)

4) Mount Head Pad to Wall (See Figure 3). (Continued)

- d. Once the Head Pad is placed on the Wall above the Vertical Pads, attach the Head Pad Angle Brackets to the Wall with appropriate fasteners. **Note: these fasteners must be provided by others – not provided with Seal – and should be suitable to wall construction – steel, block, cast concrete, wood, etc.***
- e. After the top Angle Brackets are secured, attached the (3) supplied Flat Brackets to the bottom of the Head Pad backer board with Lag Screws supplied – Left as far as possible, Right as far as possible, and Middle – so that the bottom backer board is flush with the Lintel of the opening and the Flat Brackets can be Lagged to the backer board on one end and to the Lintel via the $\frac{3}{4}$ " hole in the other end of the Flat Bracket.
- f. Attach the Flat Brackets to the lintel with appropriate fasteners. **Note: these fasteners must be provided by others – not provided with Seal – and should be suitable to wall construction – steel, block, cast concrete, wood, etc.***
- g. **Caulk between Head Pad and Wall.** We recommend using silicone caulk around the top and sides of the Head Pad.

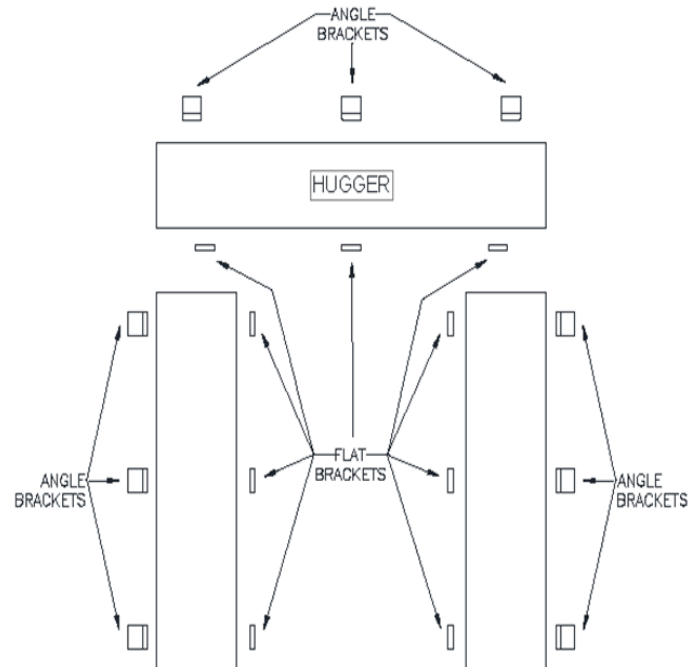
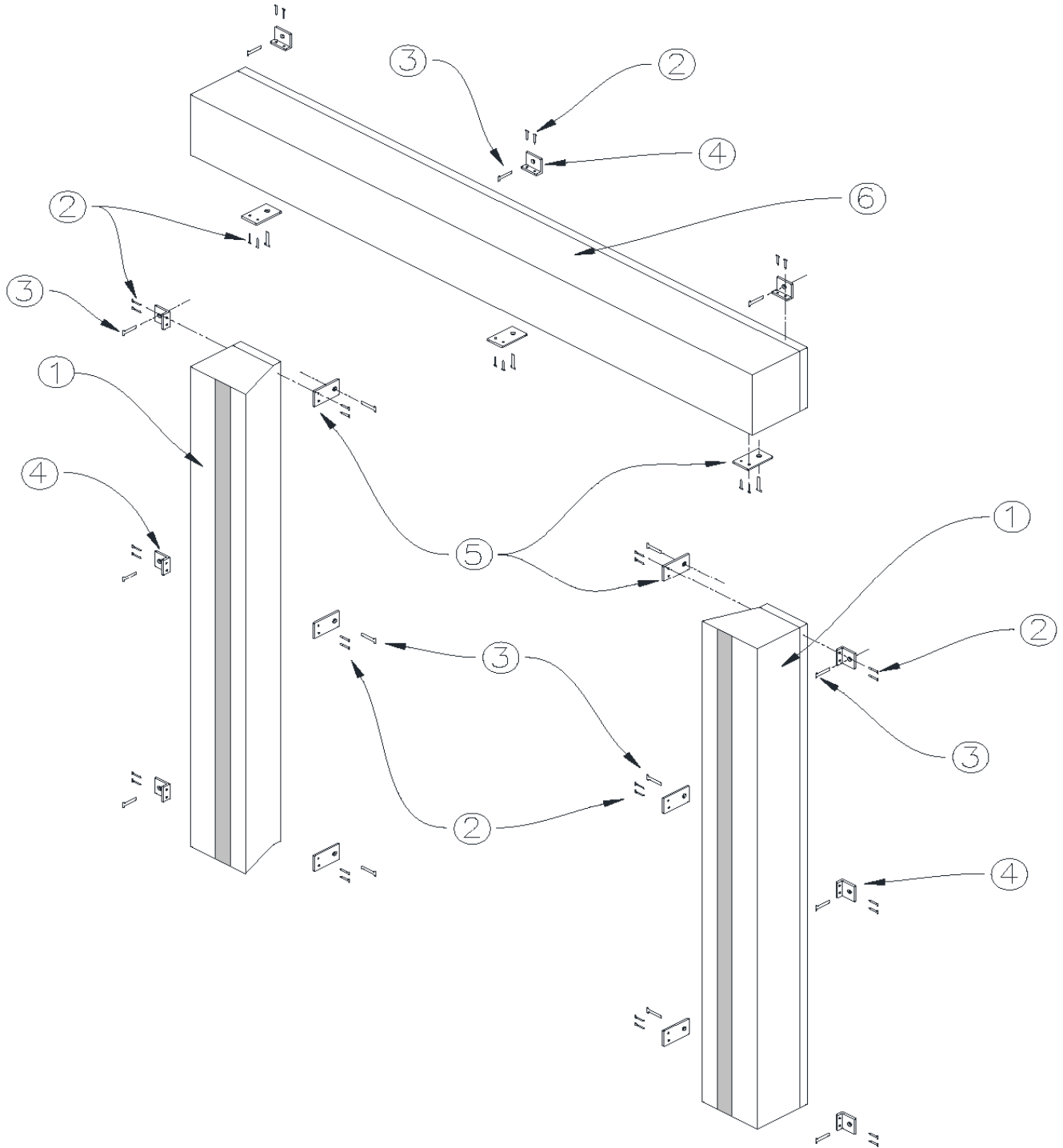


Figure 3

***Note: These installation instructions are for an application where the Vertical Pads mount flush with the opening jambs (this is the case in most applications). If your application requires the Vertical Pads to be offset from the opening jambs, other Brackets will be required and are available. IT IS IMPORTANT, that you specify – if needed - the need for the type of Offset Brackets you require WHEN placing your order. ***

Dock Seal (Heavy Duty Standard)
Installation Instructions

ATTENTION: TO ENSURE SAFE AND EASY USE OF YOUR WESCO DOCK SEAL, READ THESE INSTRUCTIONS BEFORE USING.



Item	Description
1	Vertical Pad
2	Lag Screws. 1/4" x 1-1/2"
3	Wall Anchors (Not Included)

Item	Description
4	Angle Bracket, 1-1/4" x 2-3/4"
5	Flat Bracket, 3" x 5"
6	Head Pad