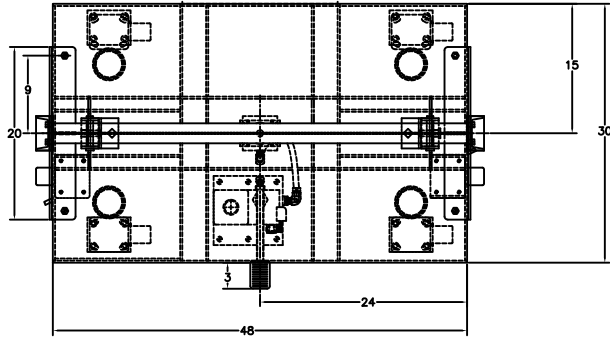


499245

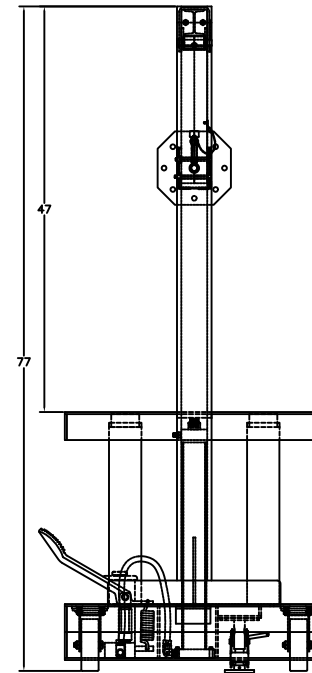
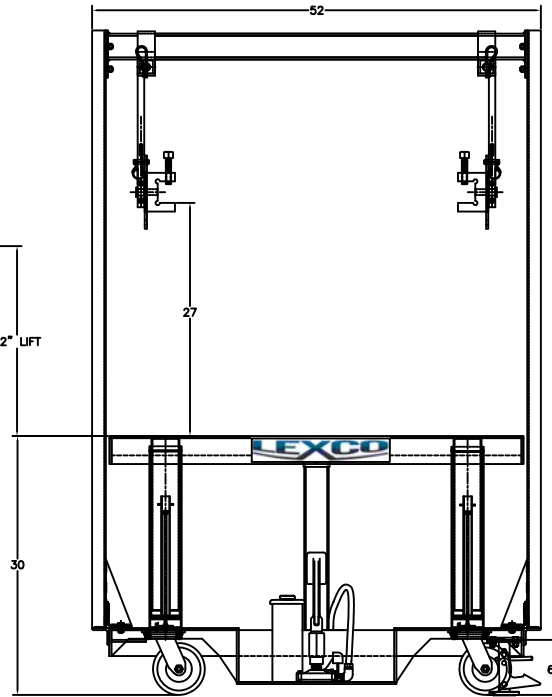
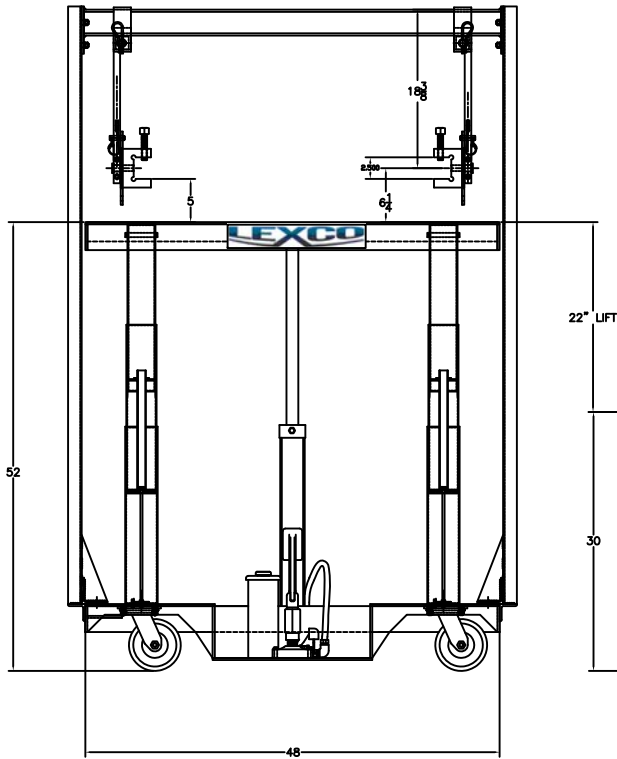


3,000 Capacity Die Handler

- Heavy-duty steel adjustable clamps for gripping the upper die set for separation.
- Floor lock.
- Precision telescoping guide tubes.
- Rigid die hangers with 360 degree indexing plate.
- Die cart allows you to transport, separate, and present your dies for service and maintenance.

Specs

- Capacity: 3,000 lbs
- Table top: 48" x 30"
- Raised height: 52"
- Lowered height: 30"
- Minimum gantry clearance: 20.5"
- Caster size: 6"
- Casters: 4 swivel
- Die size: 42" x 30"
- Weight: 747 lbs



THIS DRAWING IN ALL PARTICULARS IS WESCO INDUSTRIAL PRODUCTS INC. PROPERTY. ALL RIGHTS OF DESIGN, INVENTION OR USE OF ARE RESERVED.

PRINT ISSUED

APR 28, 2016

WESCO MANUFACTURING
ENGINEERING DEPARTMENT

WESCO INDUSTRIAL PRODUCTS INC. NORTH WALES PENNA, 19454		DRAWN: J.L. 07-14-08	
PART NAME DH-3042-22, HYDRAULIC LIFT TABLE SHOWN WITH RIGID DIE HANGER w/INDEXING PLATE		CHECKED:	
TOLERANCE UNLESS OTHERWISE SPECIFIED		APP. ENGR.	
FRACTION ± 1/64	3 PLACE DECIMAL ± .005	2 PLACE DECIMAL ± .01	SCALE: 1" = 1"
ANGULAR ± 1-1/2°	SHEET 1 OF 1	499245 REV A	
BREAK ALL SHARP EDGES AND REMOVE ALL BURRS			