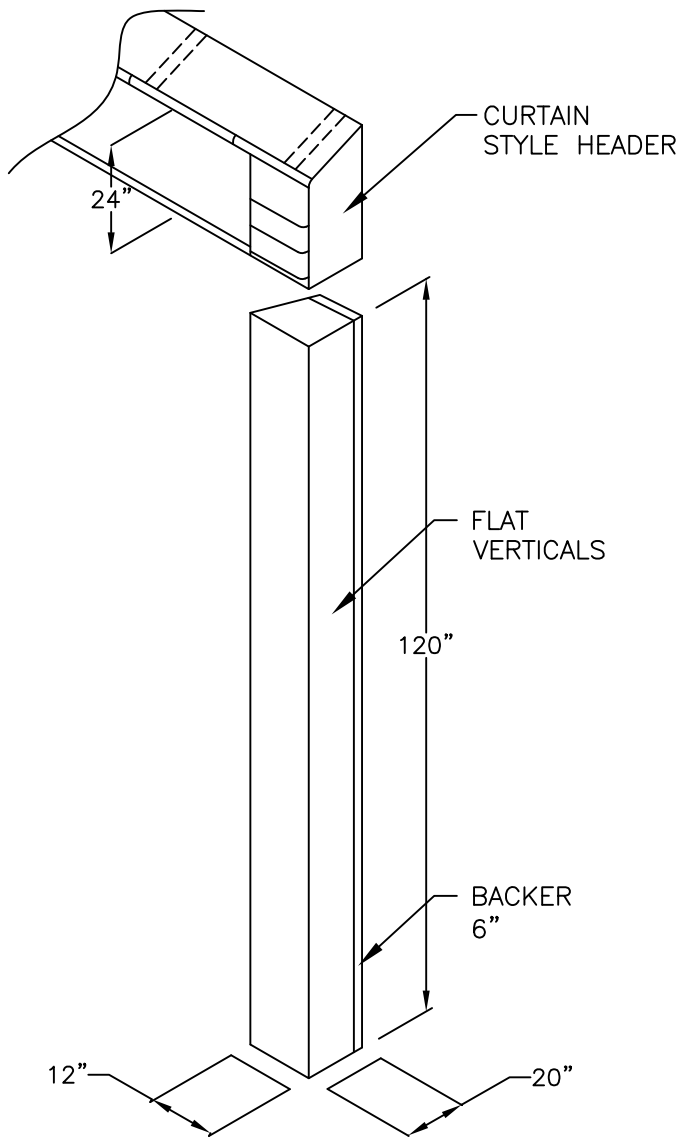


276055



REPLACEMENT PARTS			
ITEM	PART NO.	DESCRIPTION	QTY.
1	276310	VERTICAL FOAM PAD, LEFT (10'H 20"P)	1
2	276311	VERTICAL FOAM PAD, RIGHT (10'H 20"P)	1
3	276315	HORIZONTAL FOAM PAD (10'H 20"P)	1
4	276319	HARDWARE KIT	1

Wesco Dock Seals

- 40 oz high-tear-abrasion-resistant fabric.
- Double lock stitched seams.
- Kiln dried superior grade back lumber.
- 99% Memory Foam core for extended life.
- Fixed head pad provides maximum seal.
- Condensation drainage system.
- Full height yellow guide strips.
- Galvanized mounting hardware included.

Specs

Door Width: 96" (8')
 Door Height: 120" (10')
 Projection: 20"
 Weight: 300 lbs

THIS DRAWING IN ALL PARTICULARS IS WESCO INDUSTRIAL PRODUCTS, LLC PROPERTY. ALL RIGHTS OF DESIGN, INVENTION OR USE OF ARE RESERVED.

PRINT ISSUED

JUN-26-2020

WESCO MANUFACTURING
ENGINEERING DEPARTMENT

BS	APP
06-26-20	ECN & DATE
A	REV.

REVISIONS

WESCO INDUSTRIAL PRODUCTS, LLC

NORTH WALES

PENNA. 19454

PART NAME
DS-96120-20
DOCK SEAL

DRAWN:
CHECKED:
APP. ENGR.
SCALE:
A-276055
REV A

TOLERANCE UNLESS OTHERWISE SPECIFIED		
FRACTION	3 PLACE DECIMAL	2 PLACE DECIMAL
± 1/64	± .005	± .01
ANGULAR ± 1-1/2°	SHEET 1	OF 1
BREAK ALL SHARP EDGES AND REMOVE ALL BURRS		