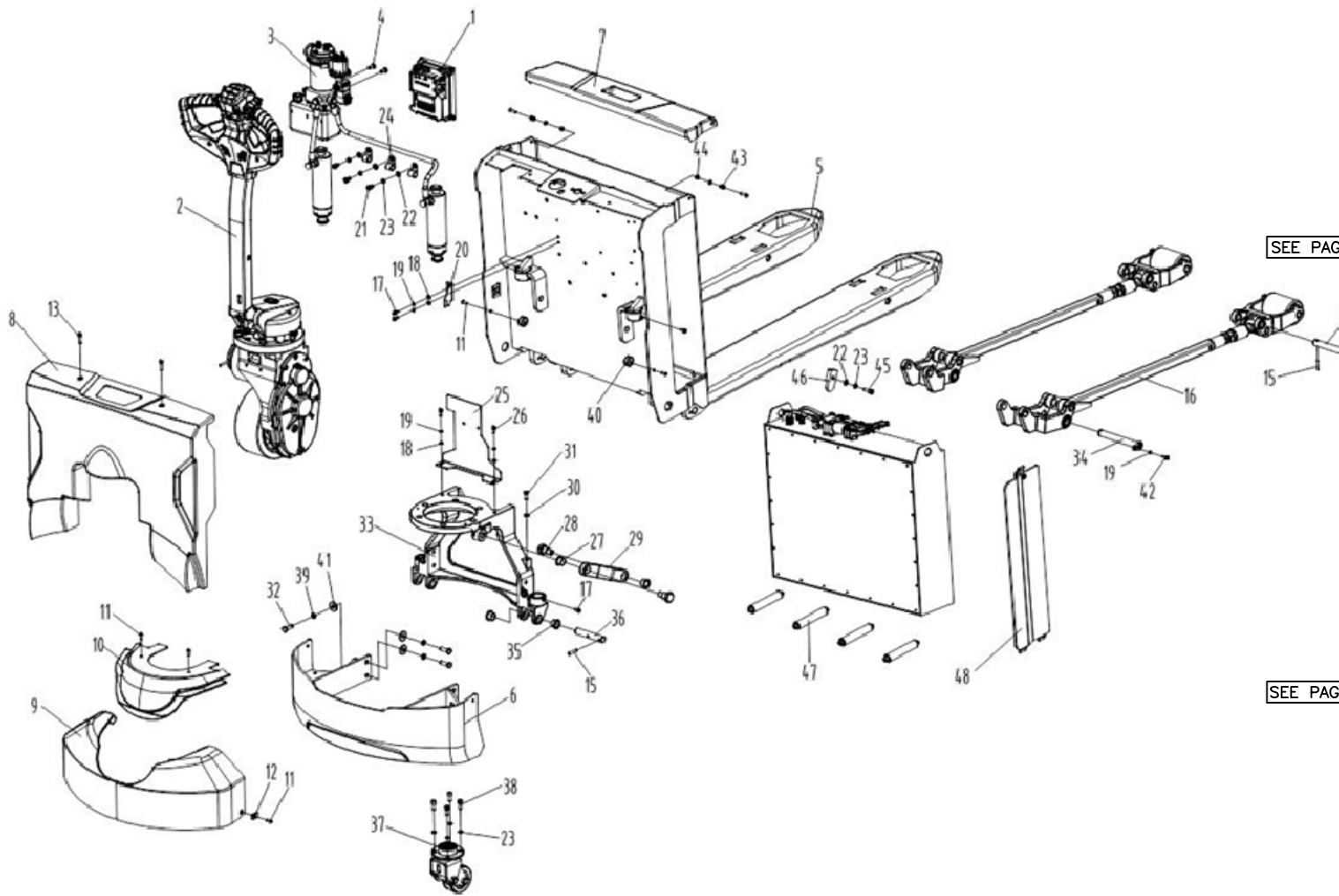


# GENERAL ASSEMBLY



REPLACEMENT PARTS LIST				
ITEM	PART NO.	DESCRIPTION	QTY.	
SEE PAGE 5	1	XXXXXX	ELECTRICAL SYSTEM	1
SEE PAGE 8	2		STEERING GEAR ASSEMBLY	1
SEE PAGE 9	3		HYDRAULIC SYSTEM	1
	4		SCREW M8X16	2
	5		FRONT TRUCK FRAME ASSEMBLY	1
	6		REAR TRUCK FRAME ASSEMBLY	1
	7		BATTERY COMPARTMENT COVER	1
	8		HOUSING	1
	9		REAR COVER	1
	10		UPPER COVER	1
	11		SCREW M6X16	6
	12		NUT M6	2
	13		SCREW M6X25	4
	14		PIN SHAFT WITH HOLE	2
	15		PIN 5X40	4
SEE PAGE 11	16		CONNECTING ROD & WHEEL CARRIAGE ASSY	1
	17		SCREW M6X12	4
	18		WASHER 6	4
	19		WASHER 6	5
	20		BENT PLATE	1
	21		SCREW M8X12	3
	22		WASHER 8	4
	23		WASHER 8	12
	24		HOSE CLAMP	3
	25		BENT PLATE	1
	26		SCREW M6X14	4
	27		BEARING SF-1F-200.165	4
	28		SCREW	4
	29		CONNECTING ROD	2
	30		NUT M8	2
	31		BOLT M8X20	2
	32		BOLT M10X30	6
	33		SUPPORT SEAT ASSEMBLY	1
	34		L-PIN SHAFT	2
	35		BEARING SF-1F-200.155	4
	36		PIN SHAFT WITH HOLE	2
SEE PAGE 15	37		UNIVERSAL WHEEL ASSEMBLY	2
	38		SCREW M8X20	8
	39		WASHER 10	6
	40		FIXED SEAT	2
	41		WASHER 10	6
	42		SCREW M6X16	2
	43		BUSH	2
	44		NUT M6	2
	45		SCREW M8X25	1
	46		PLATE	1
	47		ROLLER ASSEMBLY	4
SEE PAGE 16	48		SIDE DOOR ASSEMBLY	1

PAGE 1 - GENERAL ASSEMBLY  
 PAGE 2 - HANDLE ASSEMBLY  
 PAGE 3 - SWITCH ASSEMBLY  
 PAGE 4 - ACCELERATOR ASSEMBLY  
 PAGE 5 - ELECTRICAL SYSTEM  
 PAGE 6 - POWER LINE ASSEMBLY

PAGE 7 - CONTROL WIRING ASSEMBLY  
 PAGE 8 - STEERING GEAR ASSEMBLY  
 PAGE 9 - HYDRAULIC SYSTEM  
 PAGE 10 - CYLINDER ASSEMBLY  
 PAGE 11 - CONNECTING ROD AND WHEEL CARRIAGE ASS'Y  
 PAGE 12 - LOAD WHEEL ASSEMBLY

PAGE 13 - SUPPORT ASSEMBLY  
 PAGE 14 - BATTERY COMPARTMENT ASSEMBLY  
 PAGE 15 - UNIVERSAL WHEEL ASSEMBLY  
 PAGE 16 - SIDE DOOR ASSEMBLY  
 PAGE 17 - DRIVE WHEEL ASSEMBLY

THIS DRAWING IN ALL PARTICULARS IS WESCO INDUSTRIAL PRODUCTS, LLC PROPERTY. ALL RIGHTS OF DESIGN, INVENTION OR USE OF ARE RESERVED.

PRINT ISSUED

AUG. 26, 2020

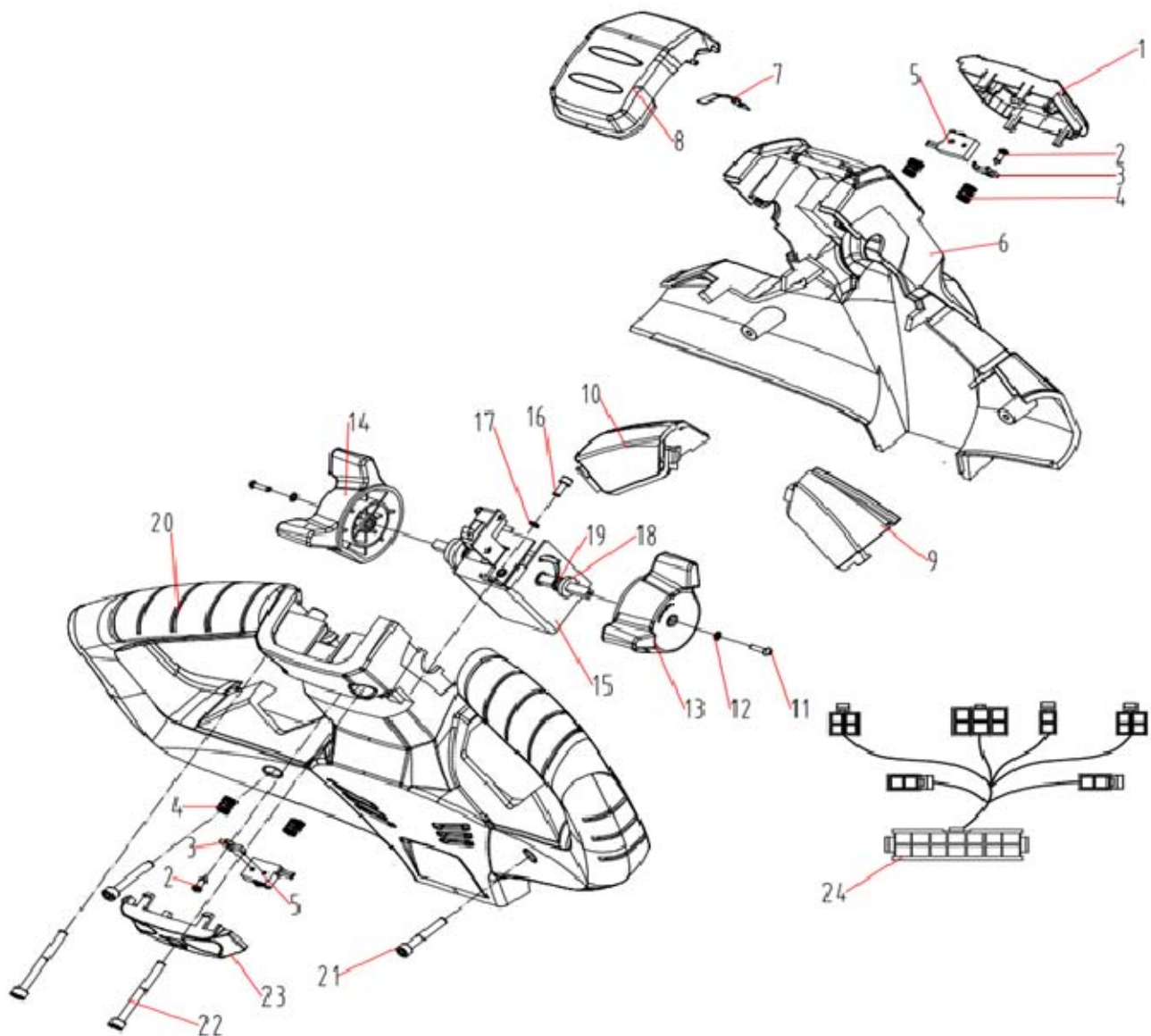
WESCO MANUFACTURING  
 ENGINEERING DEPARTMENT

REV.	APP.	WESCO INDUSTRIAL PRODUCTS, LLC		
		NORTH WALES PENNA. 19454		
		PART NAME ADVANTAGE PRO-MAX POWER 27 X 48 (3,960 LB CAP.)		
		DRAWING: RWS 08-26-20		
ECH & DATE	REVISIONS	CHECKED:		
		APP. ENGR.		
		TOLERANCE UNLESS OTHERWISE SPECIFIED		
		FRACTION	3 PLACE DECIMAL	2 PLACE DECIMAL
	± 1/64	± .005	± .01	
	ANGULAR ± 1-1/2°		SHEET 1 OF 17	
	BREAK ALL SHARP EDGES AND REMOVE ALL BURRS		SCALE: 274724	
			REV	A

274724

# HANDLE ASSEMBLY

REPLACEMENT PARTS LIST			
ITEM	PART NO.	DESCRIPTION	QTY.
1	XXXXXX	HORN BUTTON	1
2		SCREW ST2.9X6.5	2
3		INSERT	1
4		COMPRESSED SPRING	2
5		MICROSWITCH	2
6		UPPER COVER ASSEMBLY	1
7		REED	1
8		EMERGENCY REVERSE BUTTON	1
9		RH SWITCH ASSEMBLY	1
10		LH SWITCH ASSEMBLY	1
11		SCREW M3X12	2
12		WASHER 3	2
13		RH WING ROTARY KNOB	1
14		LH WING ROTARY KNOB	1
15		ACCELERATOR ASSEMBLY	1
16		SCREW M4X12	1
17		WASHER 4	1
18		BUSH	2
19		BUSH	2
20		BOTTOM COVER ASSEMBLY	1
21		SCREW M5X35	2
22		SCREW M5X50	2
23		TURTLE LOW SPEED BUTTON	1
24		CONTROL WIRING HARNESS	1



SEE PAGE 3

SEE PAGE 4

THIS DRAWING IN ALL PARTICULARS IS WESCO INDUSTRIAL PRODUCTS, LLC PROPERTY. ALL RIGHTS OF DESIGN, INVENTION OR USE OF ARE RESERVED.

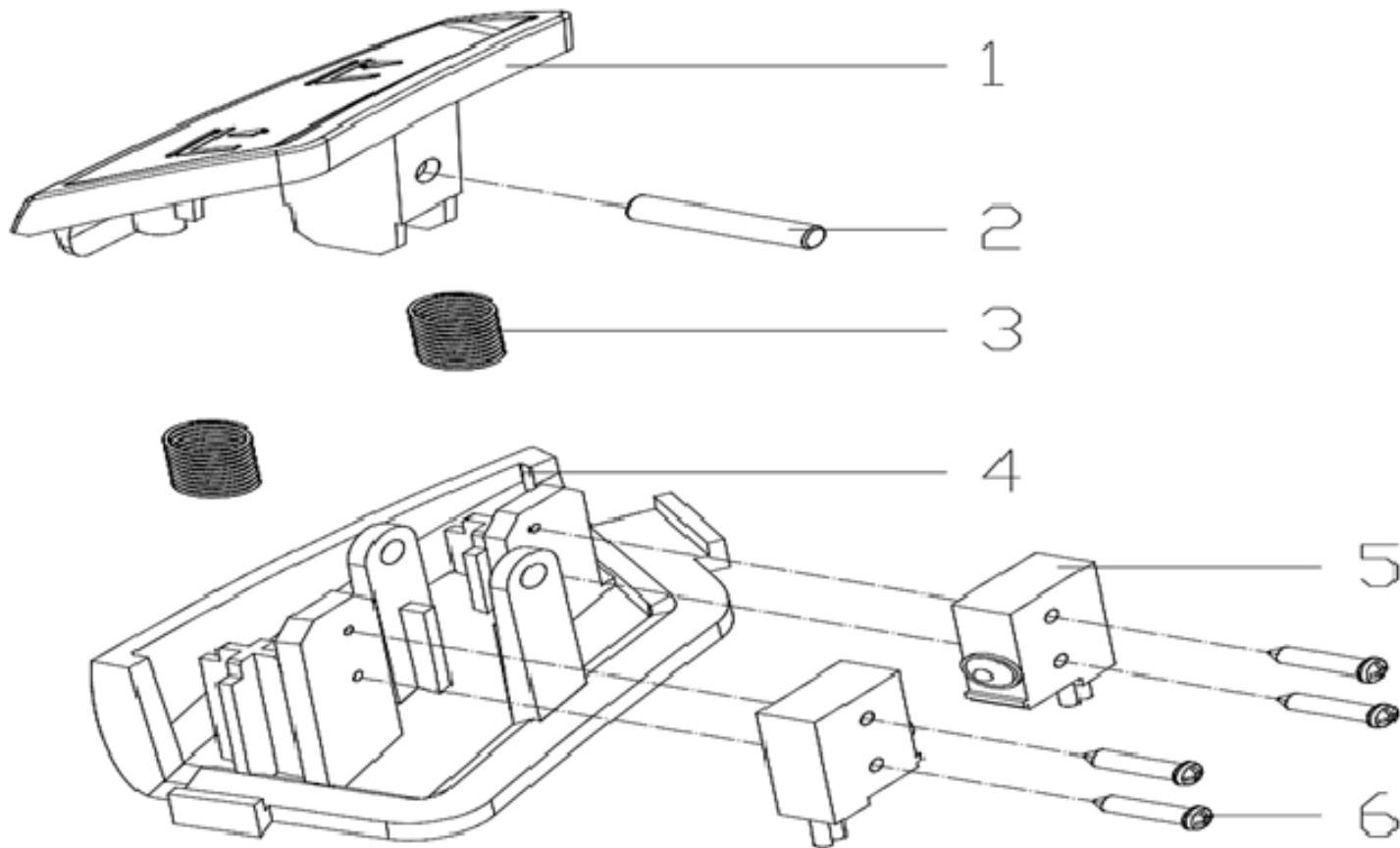
**PRINT ISSUED**  
 AUG. 26, 2020  
 WESCO MANUFACTURING  
 ENGINEERING DEPARTMENT

REV. ECH & DATE REVISIONS APP.	<b>WESCO INDUSTRIAL PRODUCTS, LLC</b> NORTH WALES PENNA. 19454		DRAWING: RWS 08-26-20	
	PART NAME ADVANTAGE PRO-MAX POWER 27 X 48 (3,960 LB CAP.)		CHECKED:	
	TOLERANCE UNLESS OTHERWISE SPECIFIED		APP. ENGR.	
	FRACTION ± 1/64	3 PLACE DECIMAL ± .005	2 PLACE DECIMAL ± .01	SCALE:
	ANGULAR ± 1-1/2°		SHEET 2 OF 17	274724 REV A

274724

# SWITCH ASSEMBLY

REPLACEMENT PARTS LIST			
ITEM	PART NO.	DESCRIPTION	QTY.
1	XXXXXX	LH/RH KEY CAP	1
2		PIN SHAFT	1
3		COMPRESSED SPRING	2
4		LH/RH BUTTON SEAT	1
5		MICROSWITCH	2
6		SCREW ST2.2X12	4



THIS DRAWING IN ALL PARTICULARS IS WESCO INDUSTRIAL PRODUCTS, LLC PROPERTY. ALL RIGHTS OF DESIGN, INVENTION OR USE OF ARE RESERVED.

PRINT ISSUED

AUG. 26, 2020

WESCO MANUFACTURING  
ENGINEERING DEPARTMENT

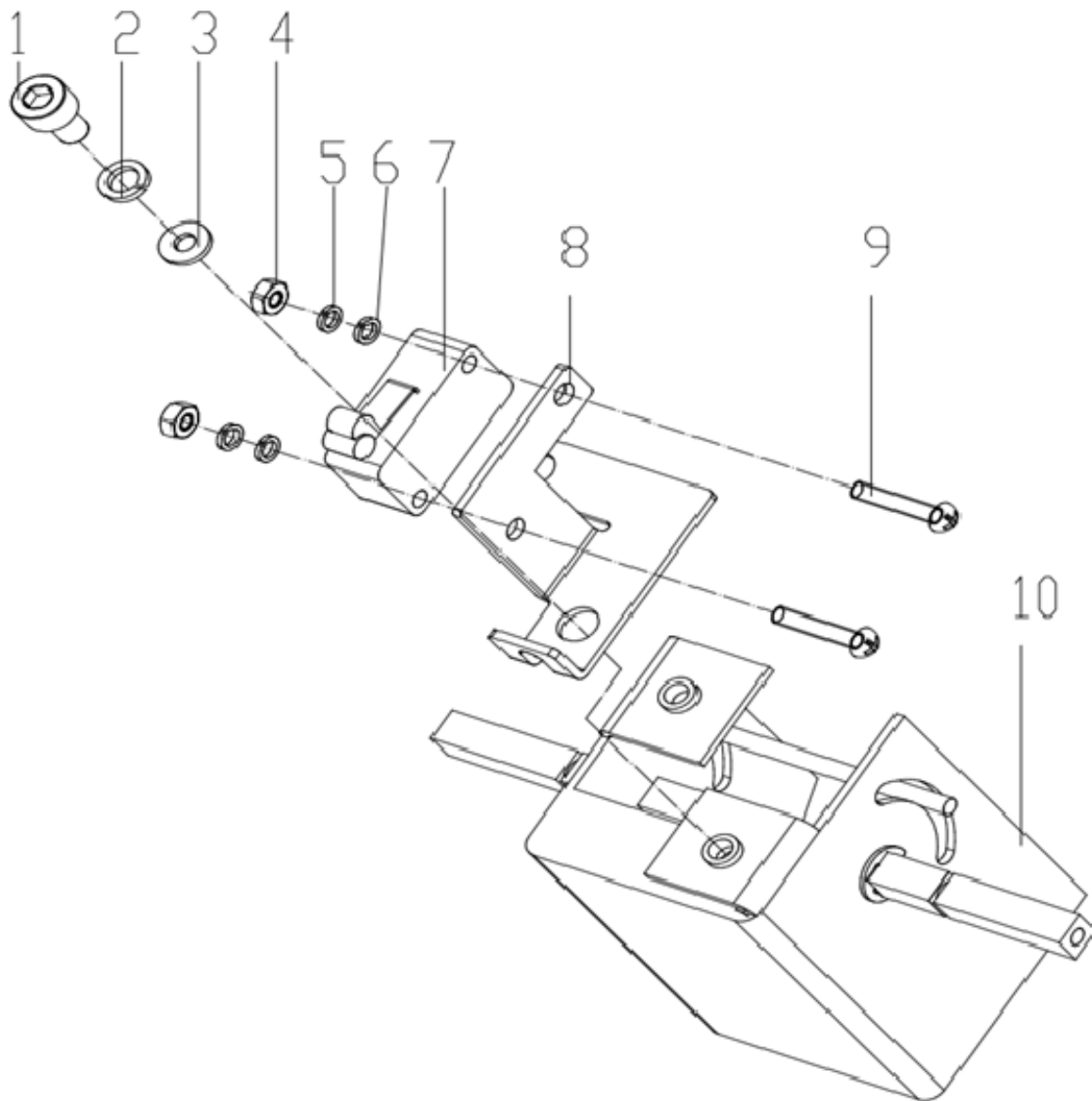
REV. ECH & DATE REVISIONS APP.

<b>WESCO INDUSTRIAL PRODUCTS, LLC</b> NORTH WALES PENNA. 19454		DRAWN: RWS 08-26-20
PART NAME ADVANTAGE PRO-MAX POWER 27 X 48 (3,960 LB CAP.)		CHECKED:
TOLERANCE UNLESS OTHERWISE SPECIFIED		APP. ENGR.
FRACTION ± 1/64	3 PLACE DECIMAL ± .005	2 PLACE DECIMAL ± .01
ANGULAR ± 1-1/2°		SHEET 3 OF 17
BREAK ALL SHARP EDGES AND REMOVE ALL BURRS		SCALE: 274724
REV.	REV	A

274724

# ACCELERATOR ASSEMBLY

REPLACEMENT PARTS LIST			
ITEM	PART NO.	DESCRIPTION	QTY.
1	XXXXXX	SCREW M5X8	1
2		WASHER 5	1
3		WASHER 5	1
4		NUT M3	2
5		WASHER 3	2
6		WASHER 3	2
7		MICROSWITCH	1
8		SWITCH SEAT	1
9		SCREW M3X16	2
10		ACCELERATOR OUTER ASSEMBLY	1



THIS DRAWING IN ALL PARTICULARS IS WESCO INDUSTRIAL PRODUCTS, LLC PROPERTY. ALL RIGHTS OF DESIGN, INVENTION OR USE OF ARE RESERVED.

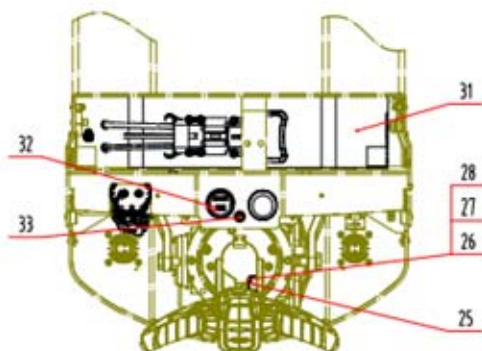
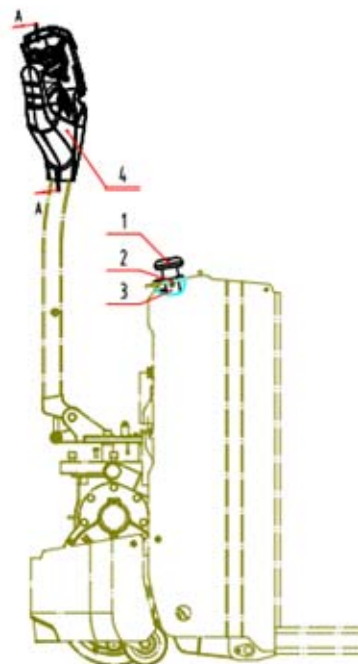
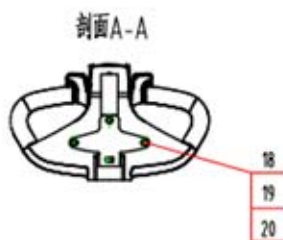
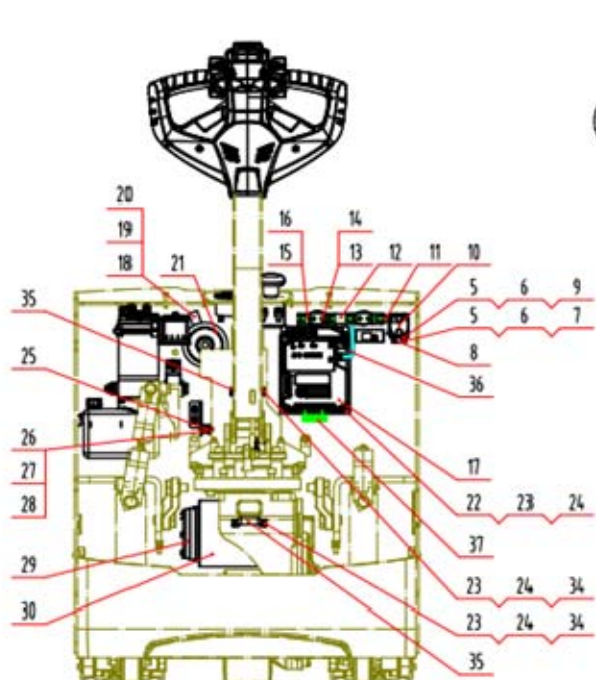
PRINT ISSUED

AUG. 26, 2020

WESCO MANUFACTURING  
ENGINEERING DEPARTMENT

REV.	ECH & DATE	REVISIONS	APP.	WESCO INDUSTRIAL PRODUCTS, LLC		
				NORTH WALES PENNA. 19454		
				PART NAME ADVANTAGE PRO-MAX POWER 27 X 48 (3,960 LB CAP.)		
				DRAWING: RWS 08-26-20		
				CHECKED:		
				APP. ENGR.		
				SCALE:		
				TOLERANCE UNLESS OTHERWISE SPECIFIED		
				FRACTION	3 PLACE DECIMAL	2 PLACE DECIMAL
				± 1/64	± .005	± .01
				ANGULAR ± 1-1/2°		SHEET 4 OF 17
				BREAK ALL SHARP EDGES AND REMOVE ALL BURRS		274724
				REV	A	

# ELECTRICAL SYSTEM



REPLACEMENT PARTS LIST			
ITEM	PART NO.	DESCRIPTION	QTY.
1	XXXXXX	MUSHROOM HEAD	1
2		SCREW M5X12	2
3		DC POWER SWITCH	1
4		HANDLE	1
5		WASHER 4	6
6		WASHER 4	6
7		SCREW M4X12	2
8		BENT PLATE	1
9		SCREW M4X8	4
10		CONTACTOR	1
11		COPPER CONNECTING STRIP	1
12		COPPER CONNECTING STRIP	1
13		SCREW M5X20	4
14		WASHER 5	6
15		FUSE	2
16		FUSE SEAT	2
17		AC CONTROLLER	1
18		SCREW M8X16	4
19		WASHER 8	4
20		WASHER 8	4
21		HORN	1
22		SCREW M6X20	4
23		WASHER 6	8
24		WASHER 6	8
25		PROXIMITY SENSOR	2
26		SCREW M3X20	4
27		WASHER 3	4
28		WASHER 3	4
29		EM BRAKE	1
30		AC MOTOR	1
31		LI-ION BATTERY	1
32		INSTRUMENT	1
33		KEY SWITCH	1
34		SCREW M6X12	4
35		PLATE	2
SEE PAGE 6	36	POWER LINE ASSEMBLY	1
SEE PAGE 7	37	CONTROL WIRING ASSEMBLY	1

THIS DRAWING IN ALL PARTICULARS IS WESCO INDUSTRIAL PRODUCTS, LLC PROPERTY. ALL RIGHTS OF DESIGN, INVENTION OR USE OF ARE RESERVED.

PRINT ISSUED

AUG. 26, 2020

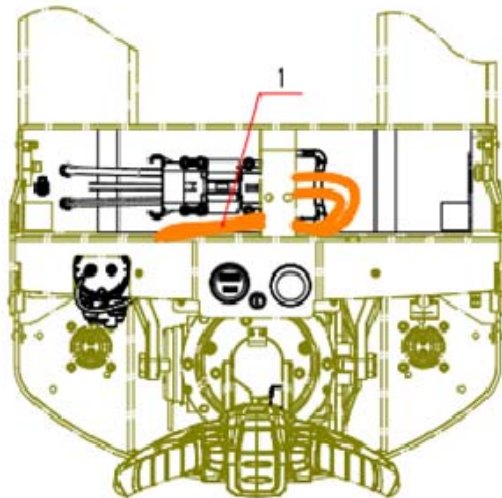
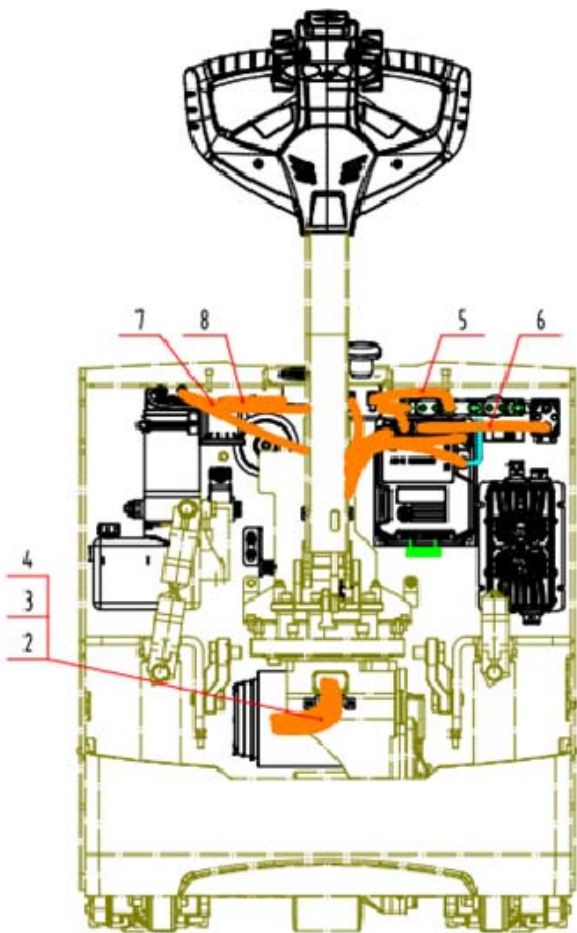
WESCO MANUFACTURING  
ENGINEERING DEPARTMENT

REV.	ECH & DATE	REVISIONS	APP.	WESCO INDUSTRIAL PRODUCTS, LLC	
				NORTH WALES PENNA. 19454	
				PART NAME ADVANTAGE PRO-MAX POWER 27 X 48 (3,960 LB CAP.)	
				DRAWING: RWS 08-26-20	
TOLERANCE UNLESS OTHERWISE SPECIFIED				CHECKED:	
FRACTION 3 PLACE DECIMAL 2 PLACE DECIMAL				APP. ENGR.	
± 1/64 ± .005 ± .01				SCALE:	
ANGULAR ± 1-1/2°				SHEET 5 OF 17	
BREAK ALL SHARP EDGES AND REMOVE ALL BURRS				274724 REV A	

274724

# POWER LINE ASSEMBLY

REPLACEMENT PARTS LIST			
ITEM	PART NO.	DESCRIPTION	QTY.
1	XXXXXX	POWER LINE	1
2		POWER LINE	1
3		POWER LINE	1
4		POWER LINE	1
5		POWER LINE	1
6		POWER LINE	1
7		POWER LINE	1
8		POWER LINE	1
9		POWER LINE	1



THIS DRAWING IN ALL PARTICULARS IS WESCO INDUSTRIAL PRODUCTS, LLC PROPERTY. ALL RIGHTS OF DESIGN, INVENTION OR USE OF ARE RESERVED.

PRINT ISSUED

AUG. 26, 2020

WESCO MANUFACTURING  
ENGINEERING DEPARTMENT

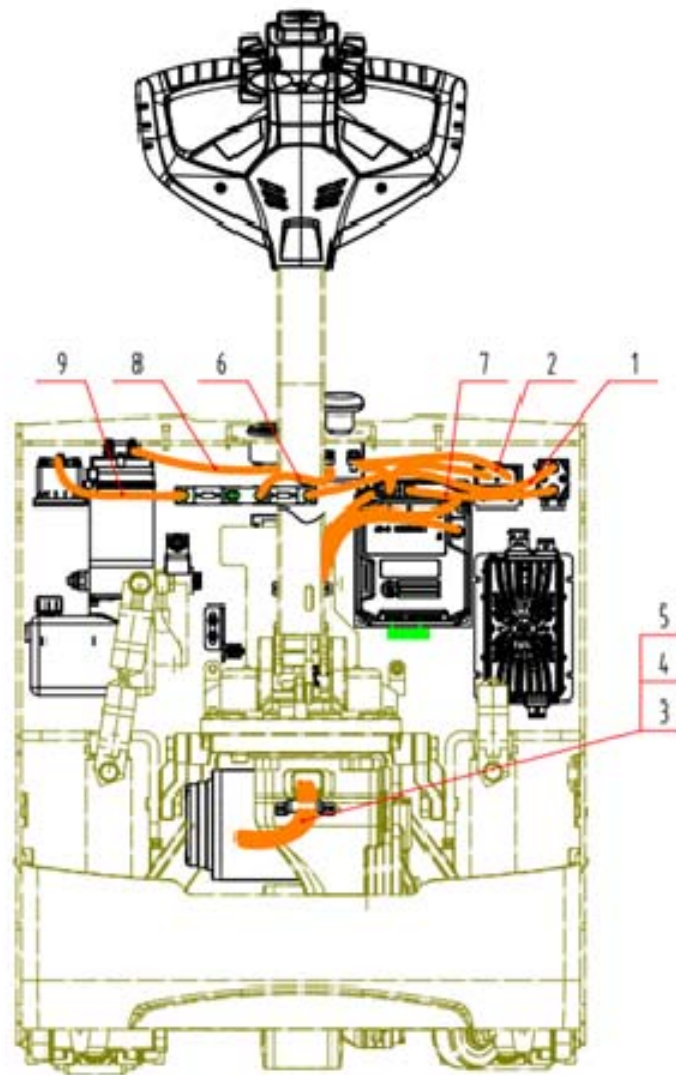
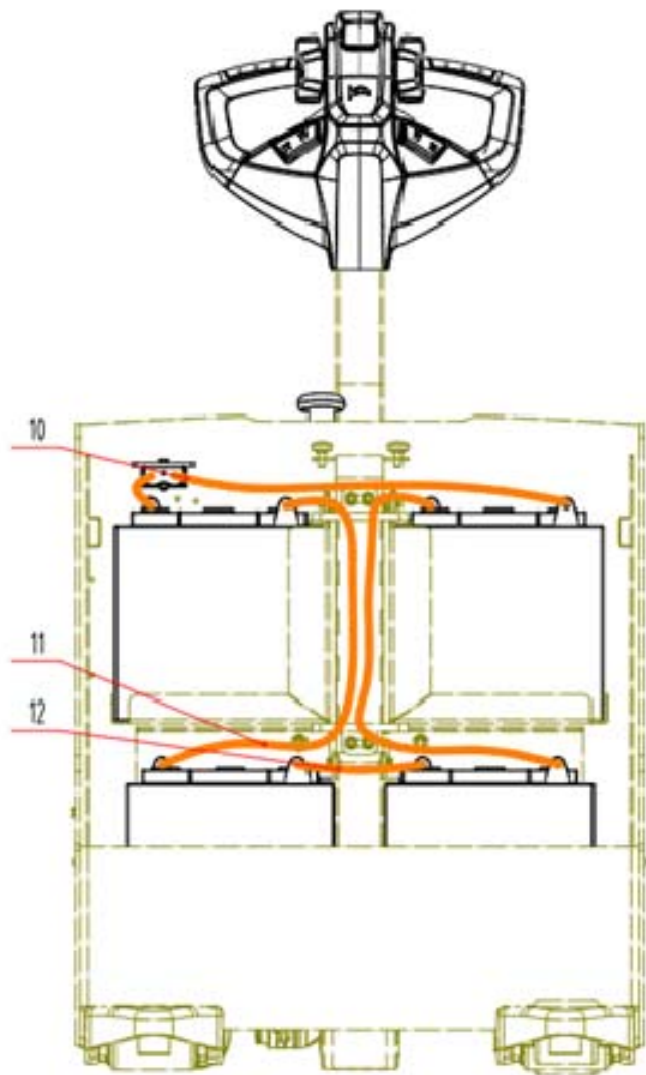
REV. ECH & DATE  
REVISIONS  
APP.

<b>WESCO INDUSTRIAL PRODUCTS, LLC</b> NORTH WALES PENNA. 19454	
PART NAME ADVANTAGE PRO-MAX POWER 27 X 48 (3,960 LB CAP.)	DRAWN: RWS 08-26-20 CHECKED: APP. ENGR.
TOLERANCE UNLESS OTHERWISE SPECIFIED	
FRACTION 3 PLACE DECIMAL 2 PLACE DECIMAL ± 1/64 ± .005 ± .01	SCALE: 274724
ANGULAR ± 1-1/2° SHEET 6 OF 17 BREAK ALL SHARP EDGES AND REMOVE ALL BURRS	REV A

274724

# CONTROL WIRING ASSEMBLY

REPLACEMENT PARTS LIST			
ITEM	PART NO.	DESCRIPTION	QTY.
1	XXXXXX	CONTROL WIRING HARNESS	1
2		CONTROL WIRING HARNESS	1



THIS DRAWING IN ALL PARTICULARS IS WESCO INDUSTRIAL PRODUCTS, LLC PROPERTY. ALL RIGHTS OF DESIGN, INVENTION OR USE OF ARE RESERVED.

PRINT ISSUED

AUG. 26, 2020

WESCO MANUFACTURING  
ENGINEERING DEPARTMENT

**WESCO INDUSTRIAL PRODUCTS, LLC**  
NORTH WALES PENNA. 19454

PART NAME  
ADVANTAGE PRO-MAX POWER  
27 X 48 (3,960 LB CAP.)

DRAWN: RWS 08-26-20

CHECKED:

APP. ENGR.

TOLERANCE UNLESS OTHERWISE SPECIFIED  
FRACTION 3 PLACE DECIMAL 2 PLACE DECIMAL  
± 1/64 ± .005 ± .01  
ANGULAR ± 1-1/2° SHEET 7 OF 17  
BREAK ALL SHARP EDGES AND REMOVE ALL BURRS

SCALE:

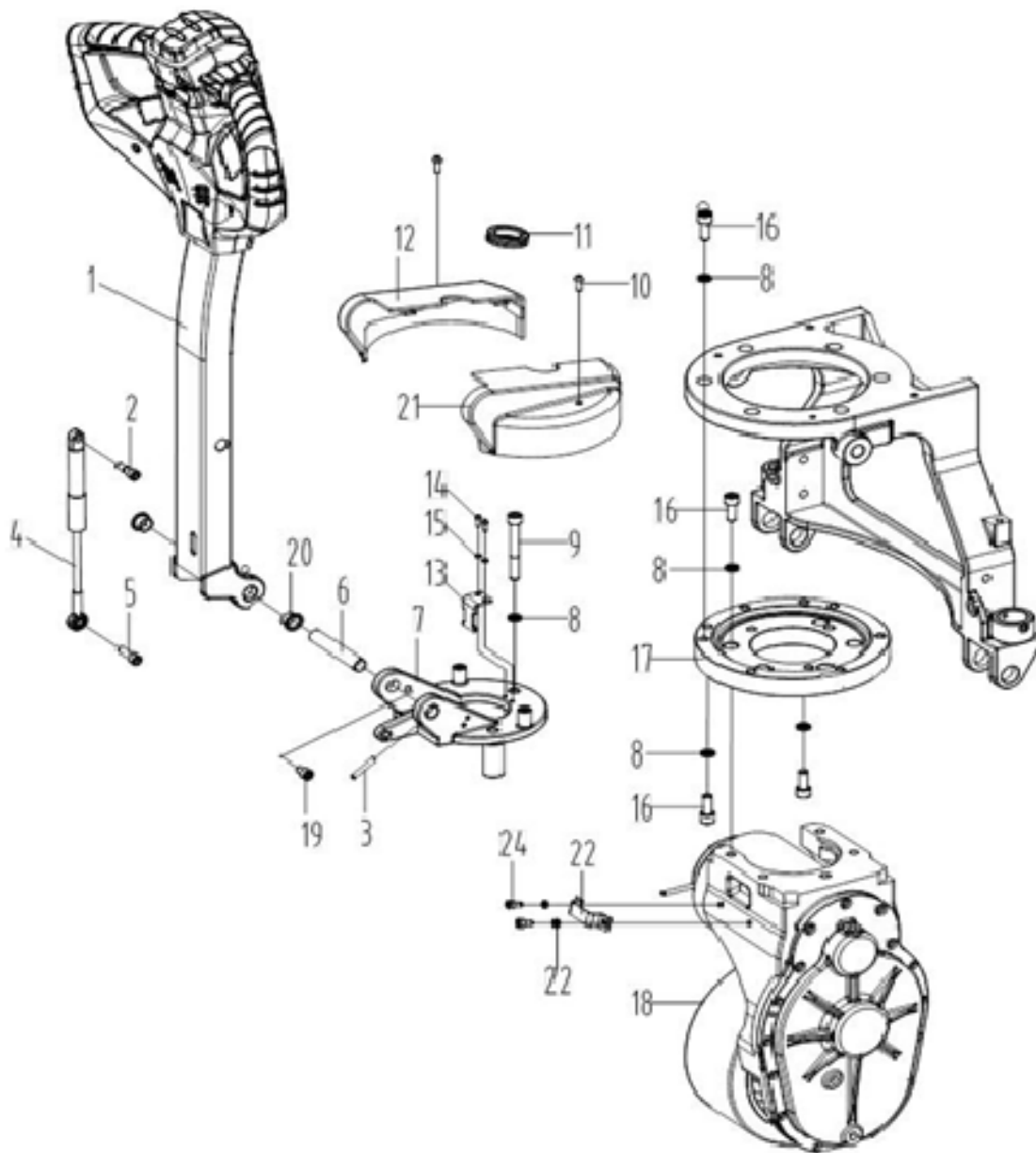
274724

REV A

REV. ECH & DATE REVISIONS APP.

274724

# STEERING GEAR ASSEMBLY



SEE PAGE 17

REPLACEMENT PARTS LIST			
ITEM	PART NO.	DESCRIPTION	QTY.
1	XXXXXX	HANDLE ASSEMBLY	1
2		SCREW	1
3		PIN 5X40	1
4		GAS SPRING	1
5		SCREW M8X25	1
6		PIN SHAFT WITH HOLE	1
7		STEERING SEAT	1
8		WASHER 10	15
9		SCREW M10X80	3
10		SCREW M6X16	2
11		Coil	1
12		LH PLASTIC COVER	1
13		BENT PLATE	1
14		SCREW M4X12	2
15		WASHER 4	2
16		SCREW M10X25	12
17		TURNTABLE	1
18		DRIVE WHEEL ASSEMBLY	1
19		SCREW M8X12	1
20		BEARING SF-1F-160.120	2
21		RH PLASTIC COVER	1
22		PLATE	2
23		WASHER 6	4
24		SCREW M6X12	4

THIS DRAWING IN ALL PARTICULARS IS WESCO INDUSTRIAL PRODUCTS, LLC PROPERTY. ALL RIGHTS OF DESIGN, INVENTION OR USE OF ARE RESERVED.

PRINT ISSUED

AUG. 26, 2020

WESCO MANUFACTURING  
ENGINEERING DEPARTMENT

WESCO INDUSTRIAL PRODUCTS, LLC  
NORTH WALES PENNA. 19454

PART NAME  
ADVANTAGE PRO-MAX POWER  
27 X 48 (3,960 LB CAP.)

DRAWN: RWS 08-26-20

CHECKED:

APP. ENGR.

TOLERANCE UNLESS OTHERWISE SPECIFIED

FRACTION 3 PLACE DECIMAL 2 PLACE DECIMAL

± 1/64 ± .005 ± .01

ANGULAR ± 1-1/2° SHEET 8 OF 17

BREAK ALL SHARP EDGES AND REMOVE ALL BURRS

SCALE:

274724

REV A

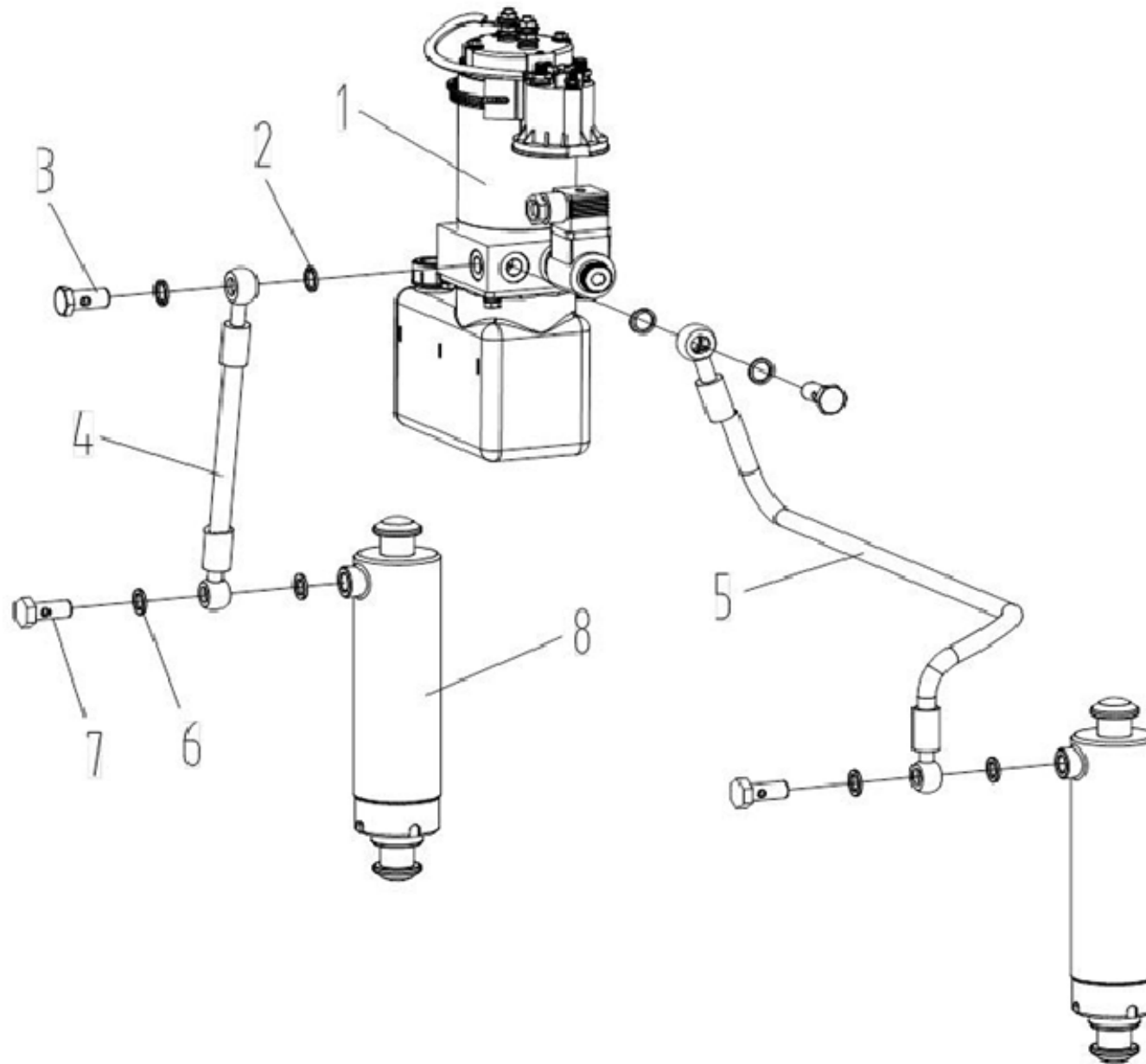
REV. ECH & DATE REVISIONS APP.



274724

# HYDRAULIC SYSTEM

REPLACEMENT PARTS LIST			
ITEM	PART NO.	DESCRIPTION	QTY.
1	XXXXXX	HYDRAULIC PUMP ASSEMBLY	1
2		COMBINED WASHER G1/4	4
3		JOINT	2
4		HIGH PRESSURE HOSE 1	1
5		HIGH PRESSURE HOSE 2	1
6		COMBINED WASHER 12	4
7		JOINT	2
SEE PAGE 10	8	CYLINDER MASTER ASSEMBLY	2



THIS DRAWING IN ALL PARTICULARS IS WESCO INDUSTRIAL PRODUCTS, LLC PROPERTY. ALL RIGHTS OF DESIGN, INVENTION OR USE OF ARE RESERVED.

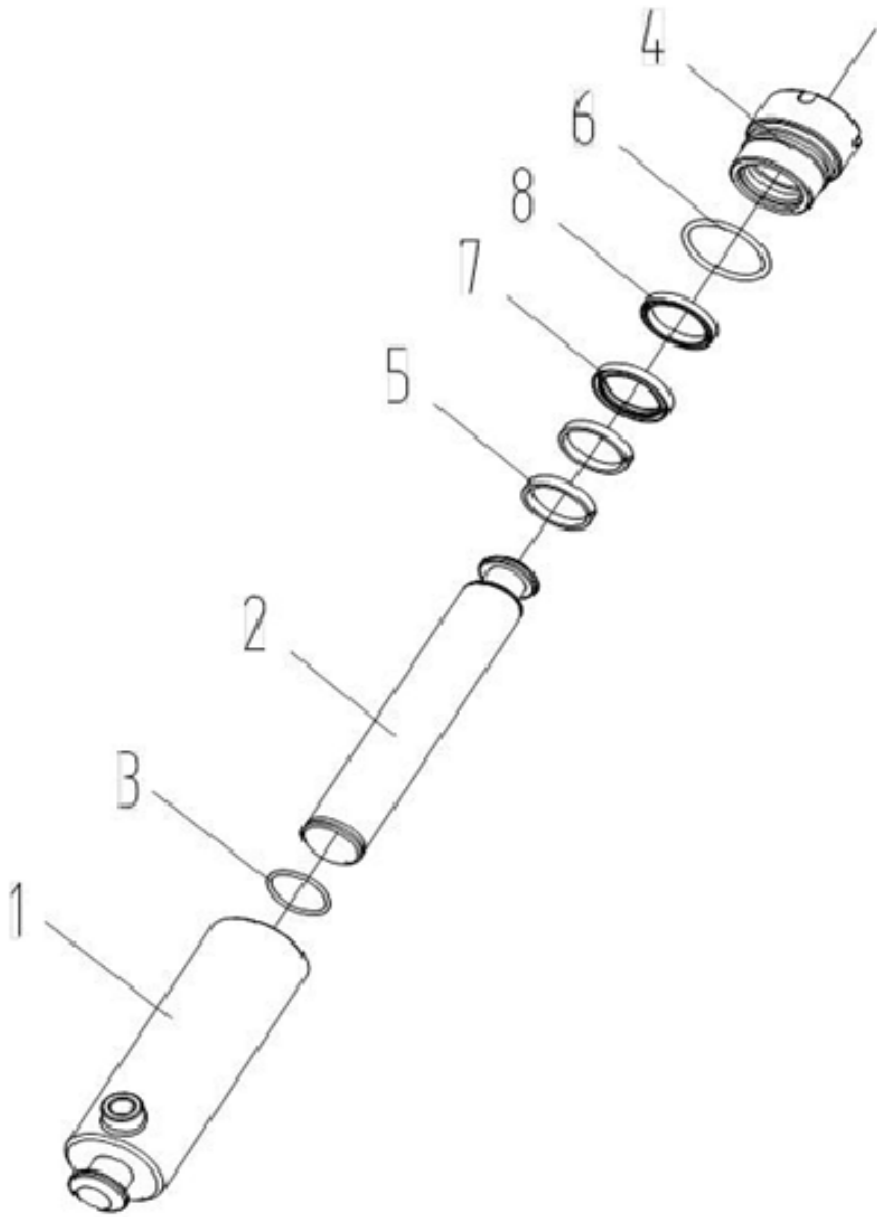
**PRINT ISSUED**  
 AUG. 26, 2020  
 WESCO MANUFACTURING  
 ENGINEERING DEPARTMENT

REV. ECH & DATE REVISIONS APP.	<b>WESCO INDUSTRIAL PRODUCTS, LLC</b>		NORTH WALES PENNA. 19454	
	PART NAME ADVANTAGE PRO-MAX POWER 27 X 48 (3,960 LB CAP.)		DRAWING: RWS 08-26-20	
	TOLERANCE UNLESS OTHERWISE SPECIFIED		CHECKED:	
	SCALE:		APP. ENGR.	
FRACTION 3 PLACE DECIMAL 2 PLACE DECIMAL		SCALE:		
± 1/64 ± .005 ± .01		SCALE:		
ANGULAR ± 1-1/2°		SHEET 9 OF 17		
BREAK ALL SHARP EDGES AND REMOVE ALL BURRS		274724		
		REV A		

274724

# CYLINDER ASSEMBLY

REPLACEMENT PARTS LIST			
ITEM	PART NO.	DESCRIPTION	QTY.
1	XXXXXX	CYLINDER SUB-ASSEMBLY	1
2		PISTON ROD	1
3		STEEL WIRE RETAINER FOR SHAFT 35	1
4		HOOD	1
5		GUIDE TAPE BST5806-6-2.5	2
6		O-RING 4.3.7X3.55	1
7		SEAL RING UHS35-45-6	1
8		DUST RING DHS35-43-5/6.5	1



THIS DRAWING IN ALL PARTICULARS IS WESCO INDUSTRIAL PRODUCTS, LLC PROPERTY. ALL RIGHTS OF DESIGN, INVENTION OR USE OF ARE RESERVED.

PRINT ISSUED

AUG. 26, 2020

WESCO MANUFACTURING  
ENGINEERING DEPARTMENT

WESCO INDUSTRIAL PRODUCTS, LLC  
NORTH WALES PENNA. 19454

PART NAME  
ADVANTAGE PRO-MAX POWER  
27 X 48 (3,960 LB CAP.)

DRAWN: RWS 08-26-20

CHECKED:

APP. ENGR.

TOLERANCE UNLESS OTHERWISE SPECIFIED

FRACTION	3 PLACE DECIMAL	2 PLACE DECIMAL
± 1/64	± .005	± .01

ANGULAR ± 1-1/2°	SHEET 10 OF 17
------------------	----------------

BREAK ALL SHARP EDGES AND REMOVE ALL BURRS

SCALE:

274724

REV A

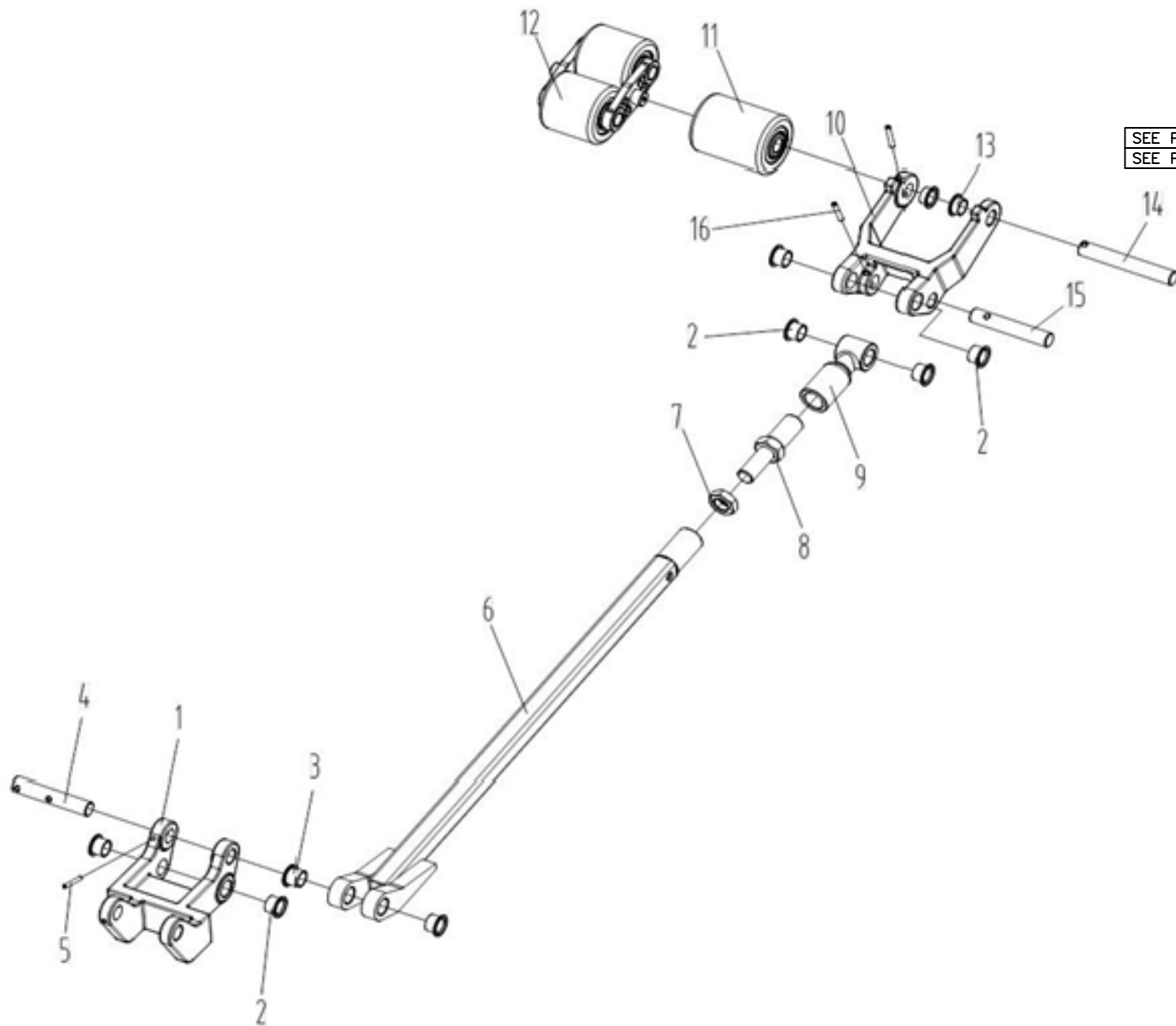
REV. ECH & DATE REVISIONS APP.

274724

# CONNECTING ROD AND WHEEL CARRIAGE ASS'Y

REPLACEMENT PARTS LIST			
ITEM	PART NO.	DESCRIPTION	QTY.
1	XXXXXX	ROCKER ARM	1
2		BEARING SF-1F-200.165	6
3		BEARING SF-1F-200.215	2
4		PIN SHAFT WITH HOLE	1
5		PIN 5X40	1
6		CONNECTING ROD ASSEMBLY	1
7		NUT M22X1.5	1
8		DOUBLE HEADED BOLT	1
9		JOINT	1
10		WHEEL CARRIAGE	1
SEE PAGE X	11	SINGLE ROLLER ASSEMBLY	1
SEE PAGE X	12	DOUBLE ROLLERS ASSEMBLY	1
	13	BEARING SF-1F-200.115	2
	14	PIN SHAFT WITH HOLE	1
	15	PIN SHAFT WITH HOLE	1
	16	PIN 6X40	1/2

SEE PAGE X  
SEE PAGE X



THIS DRAWING IN ALL PARTICULARS IS WESCO INDUSTRIAL PRODUCTS, LLC PROPERTY. ALL RIGHTS OF DESIGN, INVENTION OR USE OF ARE RESERVED.

PRINT ISSUED

AUG. 26, 2020

WESCO MANUFACTURING  
ENGINEERING DEPARTMENT

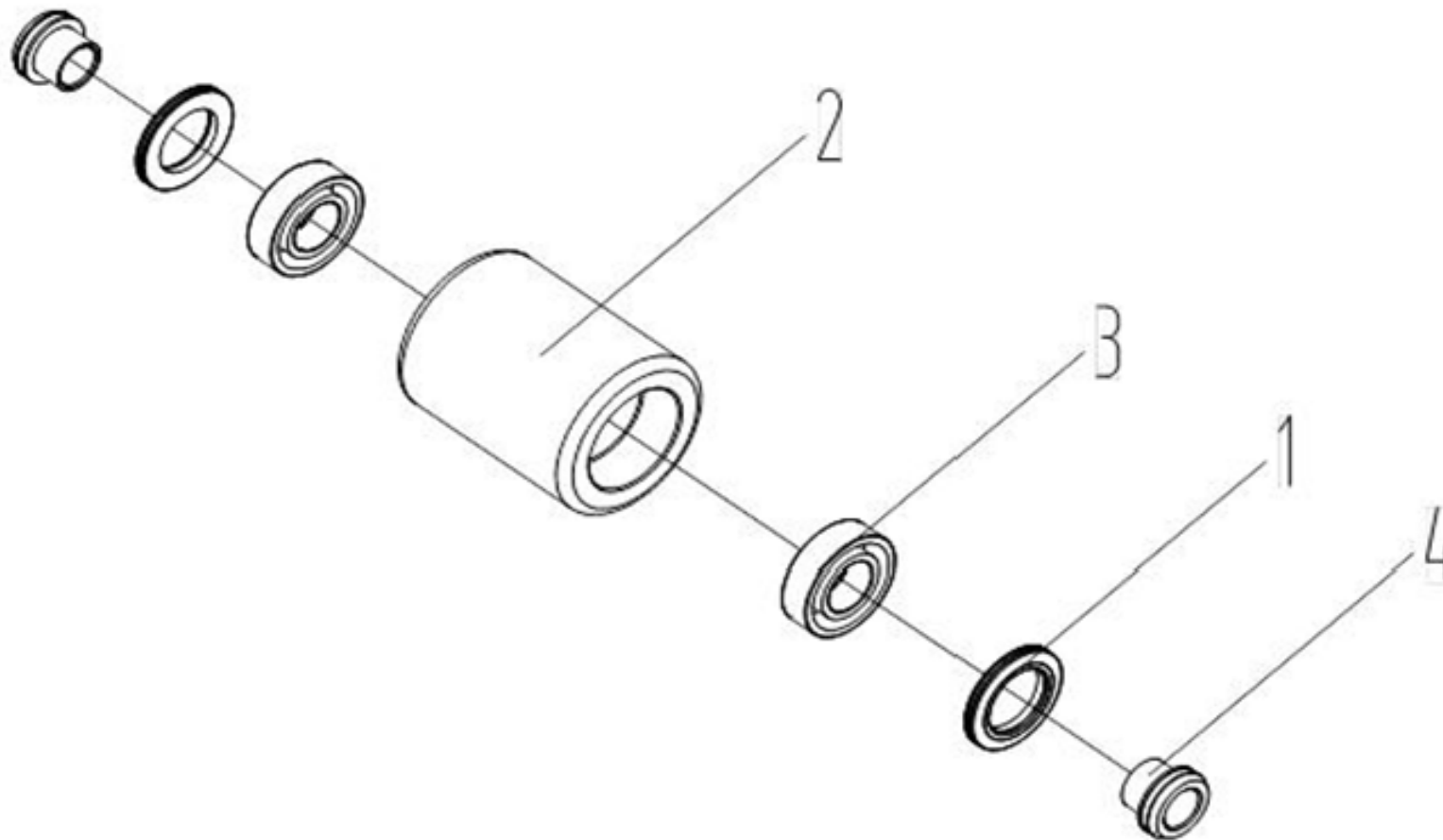
REV. ECH & DATE  
REVISIONS  
APP.

<b>WESCO INDUSTRIAL PRODUCTS, LLC</b> NORTH WALES PENNA. 19454	
PART NAME ADVANTAGE PRO-MAX POWER 27 X 48 (3,960 LB CAP.)	DRAWING: RWS 08-26-20 CHECKED: APP. ENGR.
TOLERANCE UNLESS OTHERWISE SPECIFIED FRACTION 3 PLACE DECIMAL 2 PLACE DECIMAL ± 1/64 ± .005 ± .01 ANGULAR ± 1-1/2° SHEET 11 OF 17 BREAK ALL SHARP EDGES AND REMOVE ALL BURRS	
SCALE:	274724 REV A

274724

# LOAD WHEEL ASSEMBLY

REPLACEMENT PARTS LIST			
ITEM	PART NO.	DESCRIPTION	QTY.
1	XXXXXX	DUST COVER	2
2		WHEEL	1
3		BEARING 6205-2RS-P6	2
4		SHAFT COVER	2



THIS DRAWING IN ALL PARTICULARS IS WESCO INDUSTRIAL PRODUCTS, LLC PROPERTY. ALL RIGHTS OF DESIGN, INVENTION OR USE OF ARE RESERVED.

PRINT ISSUED

AUG. 26, 2020

WESCO MANUFACTURING  
ENGINEERING DEPARTMENT

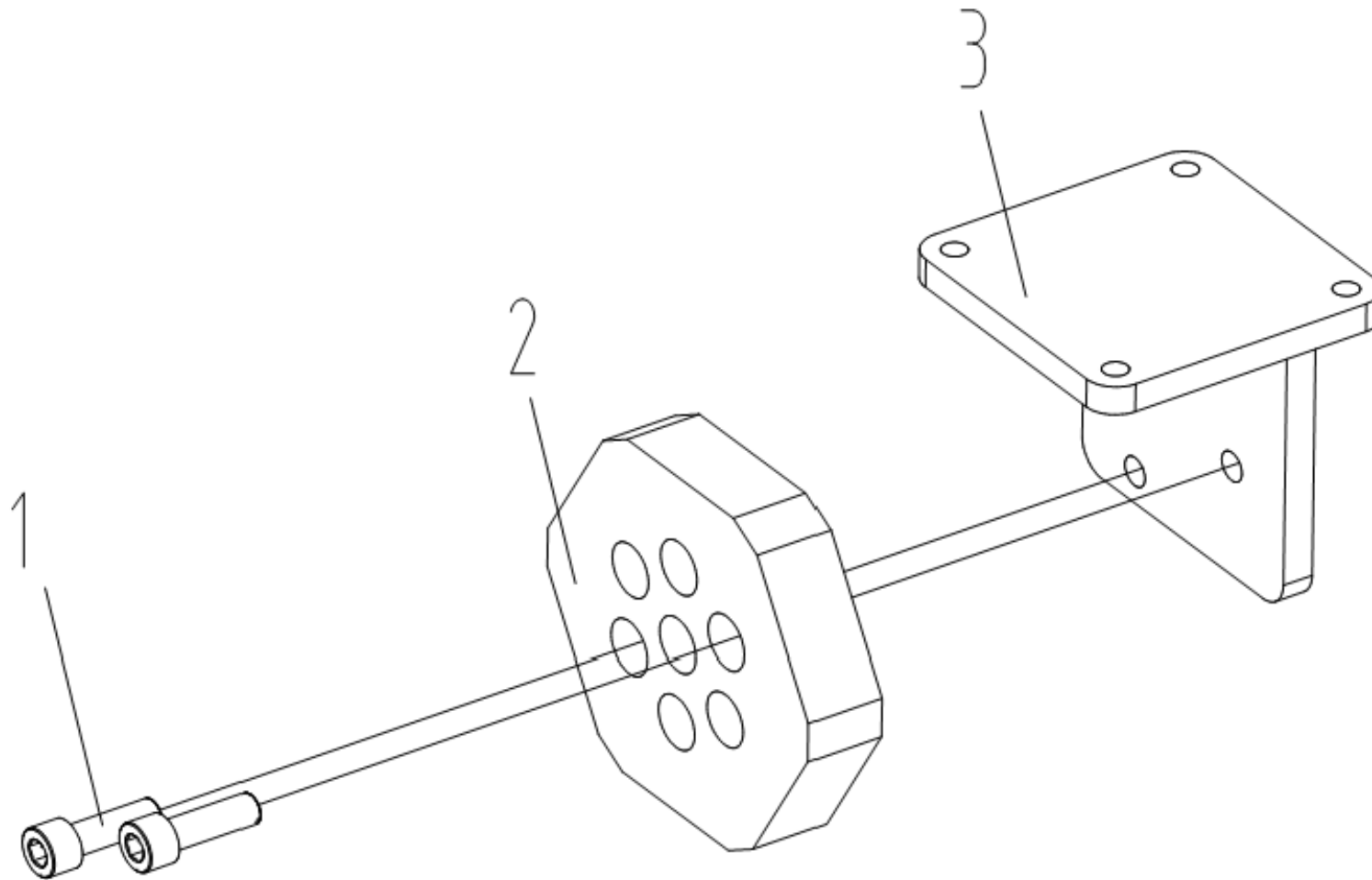
REV. ECH & DATE REVISIONS APP.

<b>WESCO INDUSTRIAL PRODUCTS, LLC</b> NORTH WALES PENNA. 19454	
PART NAME ADVANTAGE PRO-MAX POWER 27 X 48 (3,960 LB CAP.)	DRAWN: RWS 08-26-20 CHECKED: APP. ENGR.
TOLERANCE UNLESS OTHERWISE SPECIFIED	
FRACTION 3 PLACE DECIMAL 2 PLACE DECIMAL ± 1/64 ± .005 ± .01	SCALE: 274724 REV A
ANGULAR ± 1-1/2° SHEET 12 OF 17 BREAK ALL SHARP EDGES AND REMOVE ALL BURRS	

274724

# SUPPORT ASSEMBLY

REPLACEMENT PARTS LIST			
ITEM	PART NO.	DESCRIPTION	QTY.
1	XXXXXX	SCREW M10X25	2
2		SUPPORT	1
3		SUPPORT ASSEMBLY	1



THIS DRAWING IN ALL PARTICULARS IS WESCO INDUSTRIAL PRODUCTS, LLC PROPERTY. ALL RIGHTS OF DESIGN, INVENTION OR USE OF ARE RESERVED.

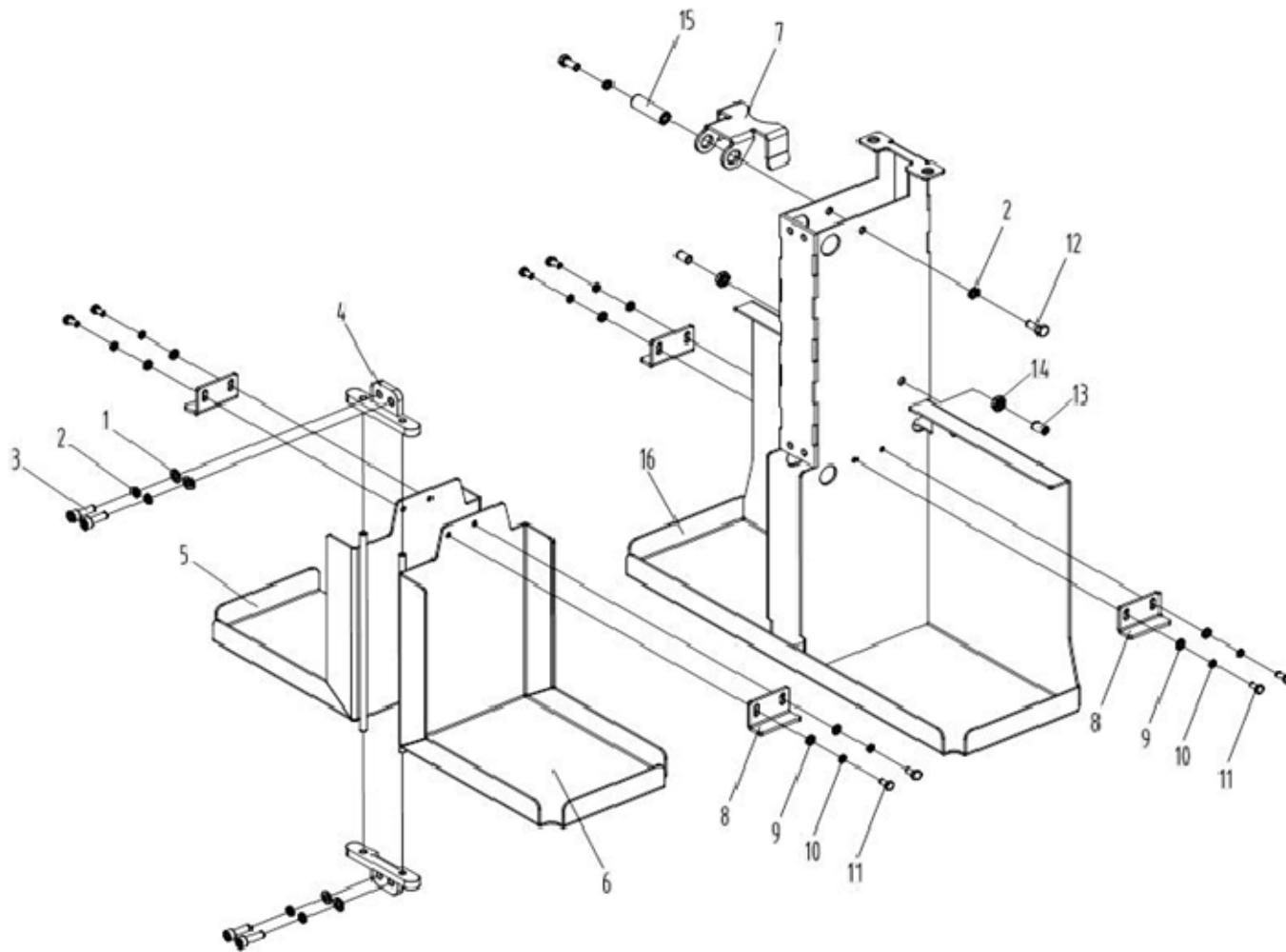
**PRINT ISSUED**  
 AUG. 26, 2020  
 WESCO MANUFACTURING  
 ENGINEERING DEPARTMENT

REV. ECH & DATE	PART NAME		WESCO INDUSTRIAL PRODUCTS, LLC	
	ADVANTAGE PRO-MAX POWER		NORTH WALES	
	27 X 48 (3,960 LB CAP.)		PENNA. 19454	
	DRAWN: RWS 08-26-20		CHECKED:	
TOLERANCE UNLESS OTHERWISE SPECIFIED		APP. ENGR.		
FRACTION 3 PLACE DECIMAL 2 PLACE DECIMAL		SCALE:		
± 1/64 ± .005 ± .01		SHEET 13 OF 17		
ANGULAR ± 1-1/2°		BREAK ALL SHARP EDGES AND REMOVE ALL BURRS		
REV. ECH & DATE		APP.		
274724		REV A		

274724

# BATTERY COMPARTMENT ASSEMBLY

REPLACEMENT PARTS LIST			
ITEM	PART NO.	DESCRIPTION	QTY.
1	XXXXXX	WASHER 8	4
2		WASHER 8	6
3		SCREW M8X25	4
4		FIXED PLATE ASSEMBLY	2
5		LH CASE ASSEMBLY	1
6		RH CASE ASSEMBLY	1
7		BENT PLATE	1
8		PLATE	4
9		WASHER 6	8
10		WASHER 6	8
11		BOLT M6X12	8
12		BOLT M8X16	2
13		SCREW M10X25	2
14		NUT M10	2
15		PIN SHAFT WITH HOLE	1
16		BATTERY COMPARTMENT CARRIAGE ASSEMBLY	1



THIS DRAWING IN ALL PARTICULARS IS WESCO INDUSTRIAL PRODUCTS, LLC PROPERTY. ALL RIGHTS OF DESIGN, INVENTION OR USE OF ARE RESERVED.

PRINT ISSUED

AUG. 26, 2020

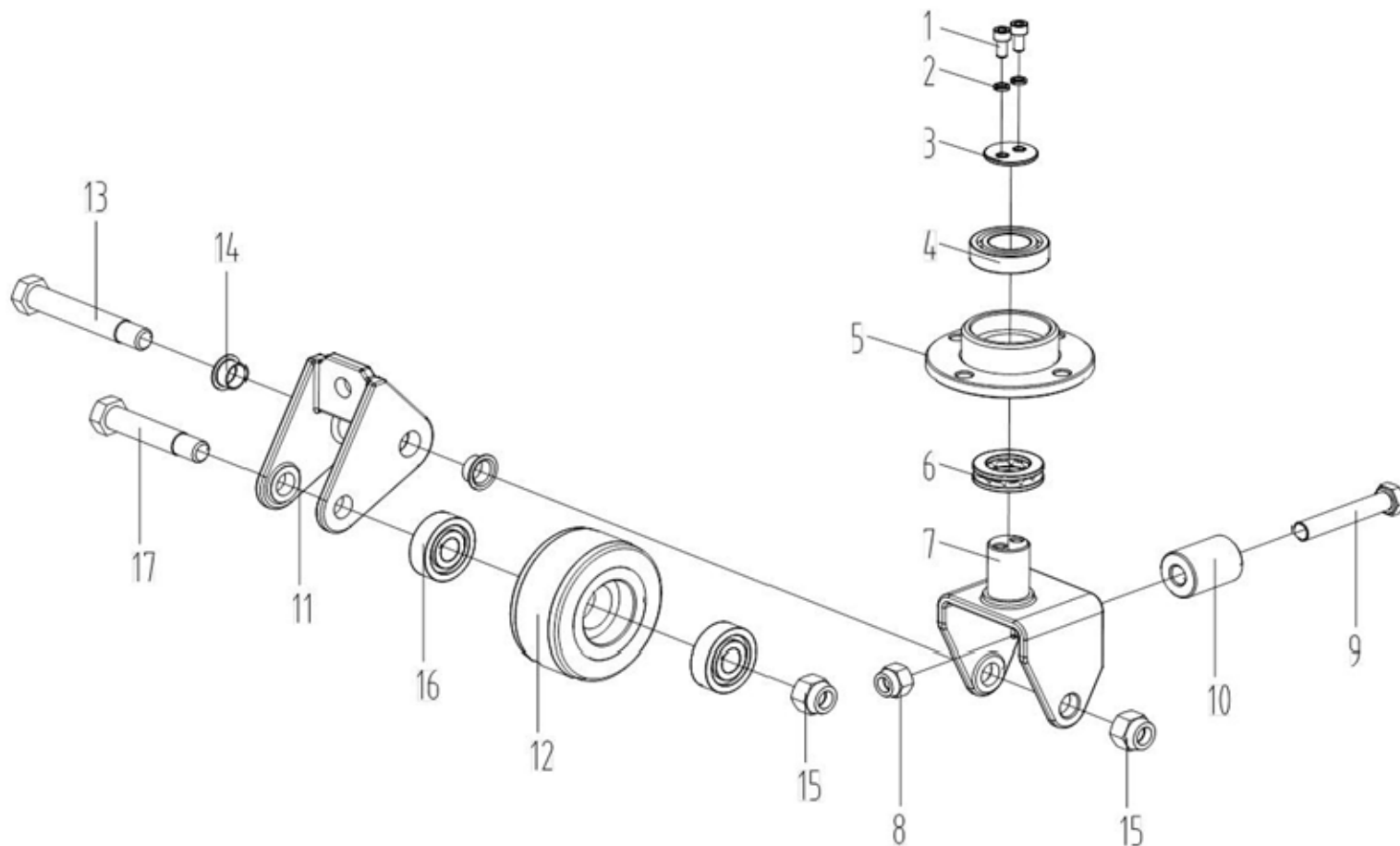
WESCO MANUFACTURING  
ENGINEERING DEPARTMENT

REV.	ECH & DATE	REVISIONS	APP.	WESCO INDUSTRIAL PRODUCTS, LLC	
				NORTH WALES PENNA. 19454	
				PART NAME ADVANTAGE PRO-MAX POWER 27 X 48 (3,960 LB CAP.)	
				DRAWING: RWS 08-26-20	
				CHECKED:	
				APP. ENGR.	
TOLERANCE UNLESS OTHERWISE SPECIFIED					
FRACTION		3 PLACE DECIMAL	2 PLACE DECIMAL	SCALE:	
± 1/64		± .005	± .01	274724	
ANGULAR ± 1-1/2°		SHEET 14 OF 17		REV	A
BREAK ALL SHARP EDGES AND REMOVE ALL BURRS					

274724

# UNIVERSAL WHEEL ASSEMBLY

REPLACEMENT PARTS LIST			
ITEM	PART NO.	DESCRIPTION	QTY.
1	XXXXXX	SCREW M6X12	2
2		WASHER 6	2
3		WASHER	1
4		BEARING 6005-ZZ	1
5		BEARING SEAT	1
6		BEARING 51105	1
7		BATTERY COMPARTMENT CARRIAGE	1
8		NUT M12	1
9		BOLT M12X70	1
10		COMPRESSED SPRING	1
11		WHEEL CARRIAGE	1
12		WHEEL	1
13		BOLT	1
14		BEARING SF-1F-150.090	2
15		NUT M14	2
16		BEARING 6302-ZZ	2
17		BOLT	1



THIS DRAWING IN ALL PARTICULARS IS WESCO INDUSTRIAL PRODUCTS, LLC PROPERTY. ALL RIGHTS OF DESIGN, INVENTION OR USE OF ARE RESERVED.

PRINT ISSUED

AUG. 26, 2020

WESCO MANUFACTURING  
ENGINEERING DEPARTMENT

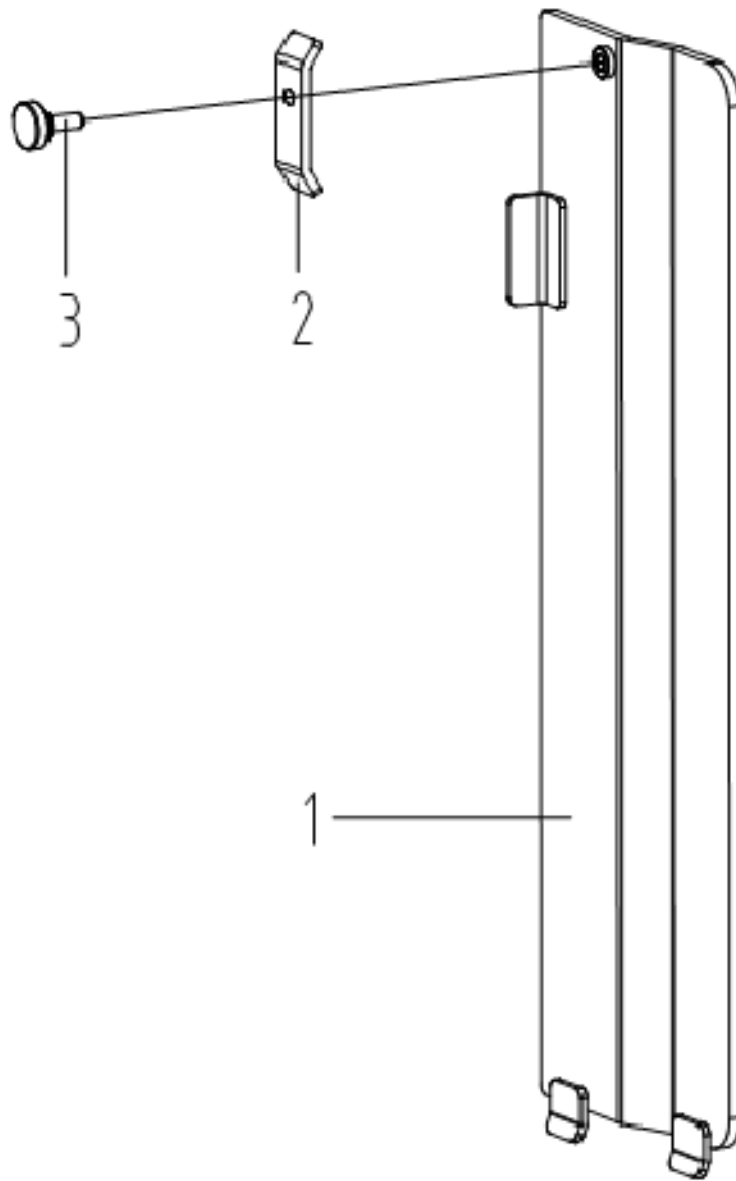
REV. ECH & DATE  
REVISIONS  
APP.

<b>WESCO INDUSTRIAL PRODUCTS, LLC</b> NORTH WALES PENNA. 19454	
PART NAME ADVANTAGE PRO-MAX POWER 27 X 48 (3,960 LB CAP.)	DRAWING: RWS 08-26-20
CHECKED:	
APP. ENGR.	
TOLERANCE UNLESS OTHERWISE SPECIFIED	
FRACTION 3 PLACE DECIMAL 2 PLACE DECIMAL	SCALE:
± 1/64 ± .005 ± .01	274724
ANGULAR ± 1-1/2° SHEET 15 OF 17	REV A
BREAK ALL SHARP EDGES AND REMOVE ALL BURRS	

274724

# SIDE DOOR ASSEMBLY

REPLACEMENT PARTS LIST			
ITEM	PART NO.	DESCRIPTION	QTY.
1	XXXXXX	SIDE DOOR ASSEMBLY	1
2		FIXED PLATE	1
3		SCREW	1



THIS DRAWING IN ALL PARTICULARS IS WESCO INDUSTRIAL PRODUCTS, LLC PROPERTY. ALL RIGHTS OF DESIGN, INVENTION OR USE OF ARE RESERVED.

PRINT ISSUED

AUG. 26, 2020

WESCO MANUFACTURING  
ENGINEERING DEPARTMENT

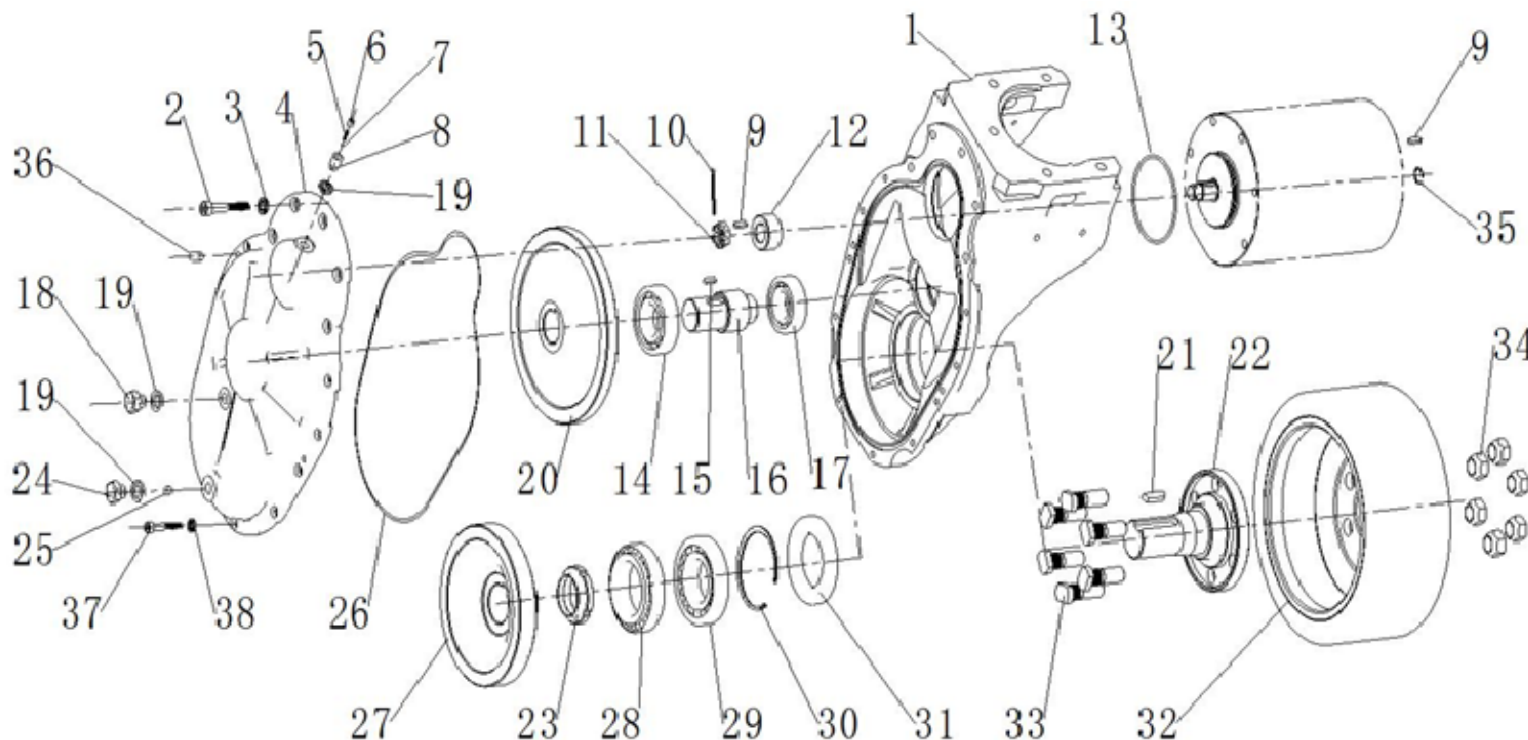
REV. ECH & DATE APP. REVISIONS

<b>WESCO INDUSTRIAL PRODUCTS, LLC</b>		NORTH WALES		PENNA. 19454	
PART NAME				DRAWN: RWS 08-26-20	
ADVANTAGE PRO-MAX POWER				CHECKED:	
27 X 48 (3,960 LB CAP.)				APP. ENGR.	
TOLERANCE UNLESS OTHERWISE SPECIFIED					
FRACTION		3 PLACE DECIMAL		2 PLACE DECIMAL	
± 1/64		± .005		± .01	
ANGULAR ± 1-1/2°				SHEET 16 OF 17	
BREAK ALL SHARP EDGES AND REMOVE ALL BURRS					
SCALE:				274724	
				REV A	



274724

# DRIVE WHEEL ASSEMBLY



REPLACEMENT PARTS LIST			
ITEM	PART NO.	DESCRIPTION	QTY.
1	XXXXXX	GEARBOX	1
2		WASHER 8	5
3		SCREW M8X35	5
4		GEARBOX COVER	1
5		COMPRESSED SPRING	1
6		SCREW PLUG	1
7		SCREW PLUG	1
8		STEEL BALL 3	1
9		FLAT KEY 5X5X16	2
10		PIN 2.5X25	1
11		NUT M14X1.5	1
12		GEAR	1
13		O RING 63% $\times$ 2.65	1
14		BEARING 6206/P5	1
15		FLAT KEY 8X7X22	1
16		GEAR	1
17		BEARING 6205/P5	1
18		SCREW PLUG	1
19		COMBINED WASHER 10	3
20		GEAR	1
21		FLAT KEY 10X8X32	1
22		STEPPED SHAFT	1
23		ROUND NUT	1
24		SCREW PLUG	1
25		MAGNETIC STEEL	1
26		O RING	1
27		GEAR	1
28		BEARING 32010	1
29		BEARING 30208	1
30		RETAINING RING 80	1
31		SEAL RING TC50X80X10	1
32		WHEEL	1
33		BOLT	6
34		NUT	6
35		RETAINING RING 15	1
36		PIN 6X22	2
37		WASHER 6	10
38		SCREW M6X16	10

THIS DRAWING IN ALL PARTICULARS IS WESCO INDUSTRIAL PRODUCTS, LLC PROPERTY. ALL RIGHTS OF DESIGN, INVENTION OR USE OF ARE RESERVED.

PRINT ISSUED

AUG. 26, 2020

WESCO MANUFACTURING  
ENGINEERING DEPARTMENT

REV.	ECH & DATE	REVISONS	APP.	WESCO INDUSTRIAL PRODUCTS, LLC	
				NORTH WALES PENNA. 19454	
				PART NAME ADVANTAGE PRO-MAX POWER 27 X 48 (3,960 LB CAP.)	
				DRAWING: RWS 08-26-20	
				CHECKED:	
				APP. ENGR.	
				SCALE:	
				274724	
				REV A	

TOLERANCE UNLESS OTHERWISE SPECIFIED		
FRACTION	3 PLACE DECIMAL	2 PLACE DECIMAL
$\pm 1/64$	$\pm .005$	$\pm .01$
ANGULAR $\pm 1-1/2^\circ$	SHEET 17 OF 17	
BREAK ALL SHARP EDGES AND REMOVE ALL BURRS		