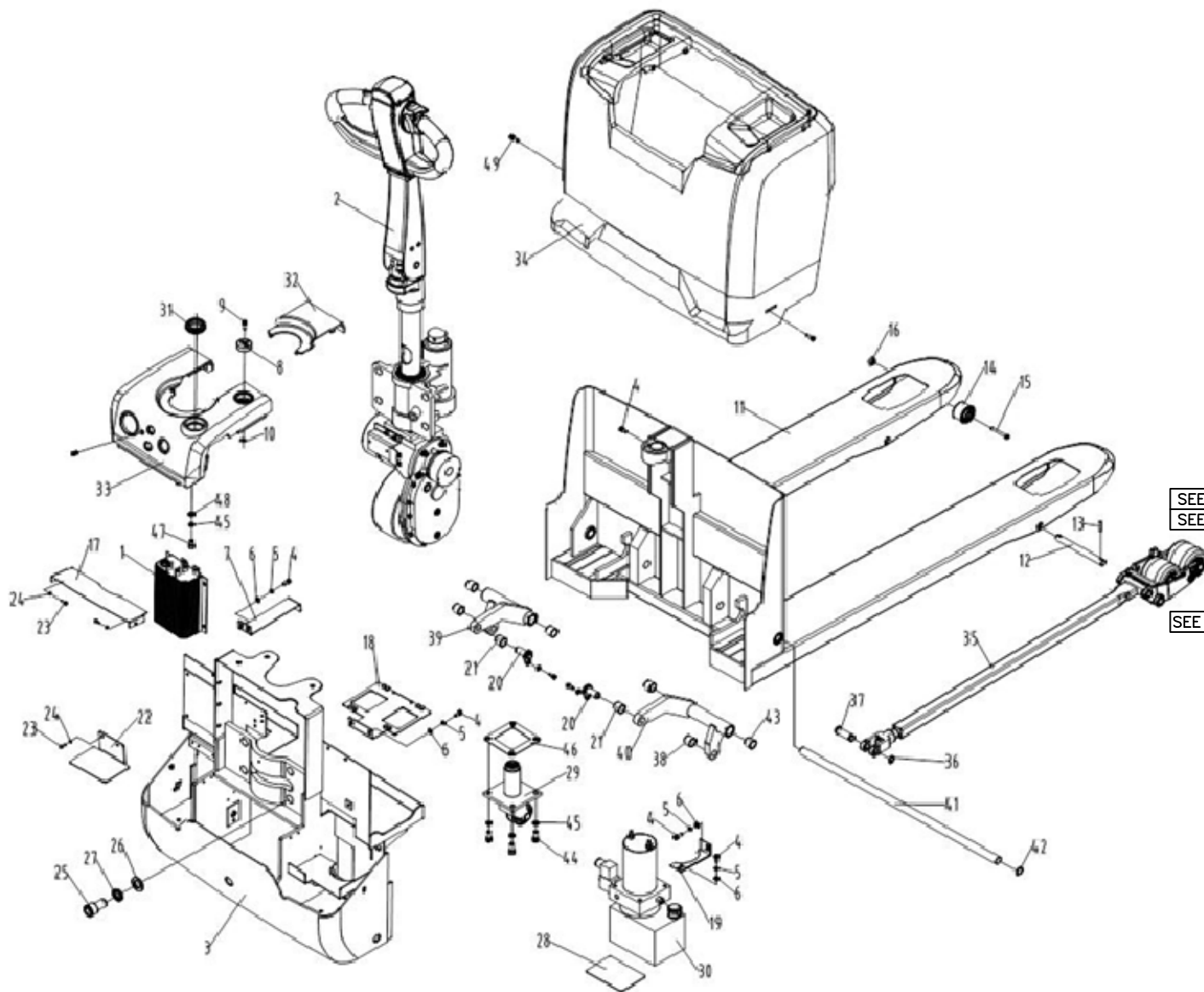


GENERAL ASSEMBLY



REPLACEMENT PARTS LIST				
	ITEM	PART NO.	DESCRIPTION	QTY.
SEE PAGE 7	1	XXXXXX	ELECTRICAL SYSTEM	1
SEE PAGE 11	2		STEERING GEAR ASSEMBLY	1
	3		REAR FRAME ASSEMBLY	1
	4		SCREW M6X12	9
	5		WASHER 6	8
	6		WASHER 6	6
	7		BATTERY PLATEN	1
	8		SOCKET	1
	9		SCREW M5X12	1
	10		NUT M5	1
	11		FRONT FRAME ASSEMBLY	1
	12		PIN	2
	13		PIN 5X32	4
	14		SMALL WHEEL	2
	15		SCREW M6X55	2
	16		NUT M6	2
	17		DRIVE WHEEL BAFFLE	1
	18		CHARGER MOUNTING PLATE ASSEMBLY	1
	19		HYDRAULIC PUMP PLATEN	1
	20		PIN	2
	21		BEARING SF-1F-160.170	2
	22		MOUNTING PLATE	1
	23		SCREW M4X10	4
	24		WASHER 4	4
	25		SCREW M20X35	4
	26		WASHER 20	4
	27		WASHER 20	4
	28		PAD	1
SEE PAGE 2	29		UNIVERSAL WHEEL ASSEMBLY	2
SEE PAGE 3	30		HYDRAULIC SYSTEM	1
	31		COIL	1
	32		PANEL 1	1
	33		PANEL 2	1
	34		HOUSING	1
SEE PAGE 13	35		CONNECTING ROD & WHEEL CARRIAGE ASSY	2
	36		CIRCLIP FOR SHAFT 16	2
	37		SHAFT	2
	38		BEARING SF-1-16.15	2
	39		LEFT ROCKER ARM ASSEMBLY	1
	40		RIGHT ROCKER ARM ASSEMBLY	1
	41		PIN	1
	42		CIRCLIP FOR HOLE 20	2
	43		BEARING SF-1-20.15	4
	44		SCREW M8X20	8
	45		WASHER 8	10
	46		ADJUSTING PAD	2-4
	47		SCREW M8X16	2
	48		WASHER 8	2
	49		SCREW M6X16	2

THIS DRAWING IN ALL PARTICULARS IS WESCO INDUSTRIAL PRODUCTS, LLC PROPERTY. ALL RIGHTS OF DESIGN, INVENTION OR USE OF ARE RESERVED.

PRINT ISSUED

AUG. 26, 2020

WESCO MANUFACTURING
ENGINEERING DEPARTMENT

WESCO INDUSTRIAL PRODUCTS, LLC
NORTH WALES PENNA. 19454

PART NAME
ADVANTAGE PRO-MAX POWER

DRAWING: RWS 08-26-20

CHECKED:

APP. ENGR.

TOLERANCE UNLESS OTHERWISE SPECIFIED

FRACTION 3 PLACE DECIMAL 2 PLACE DECIMAL

± 1/64 ± .005 ± .01

ANGULAR ± 1-1/2° SHEET 1 OF 14

BREAK ALL SHARP EDGES AND REMOVE ALL BURRS

SCALE:

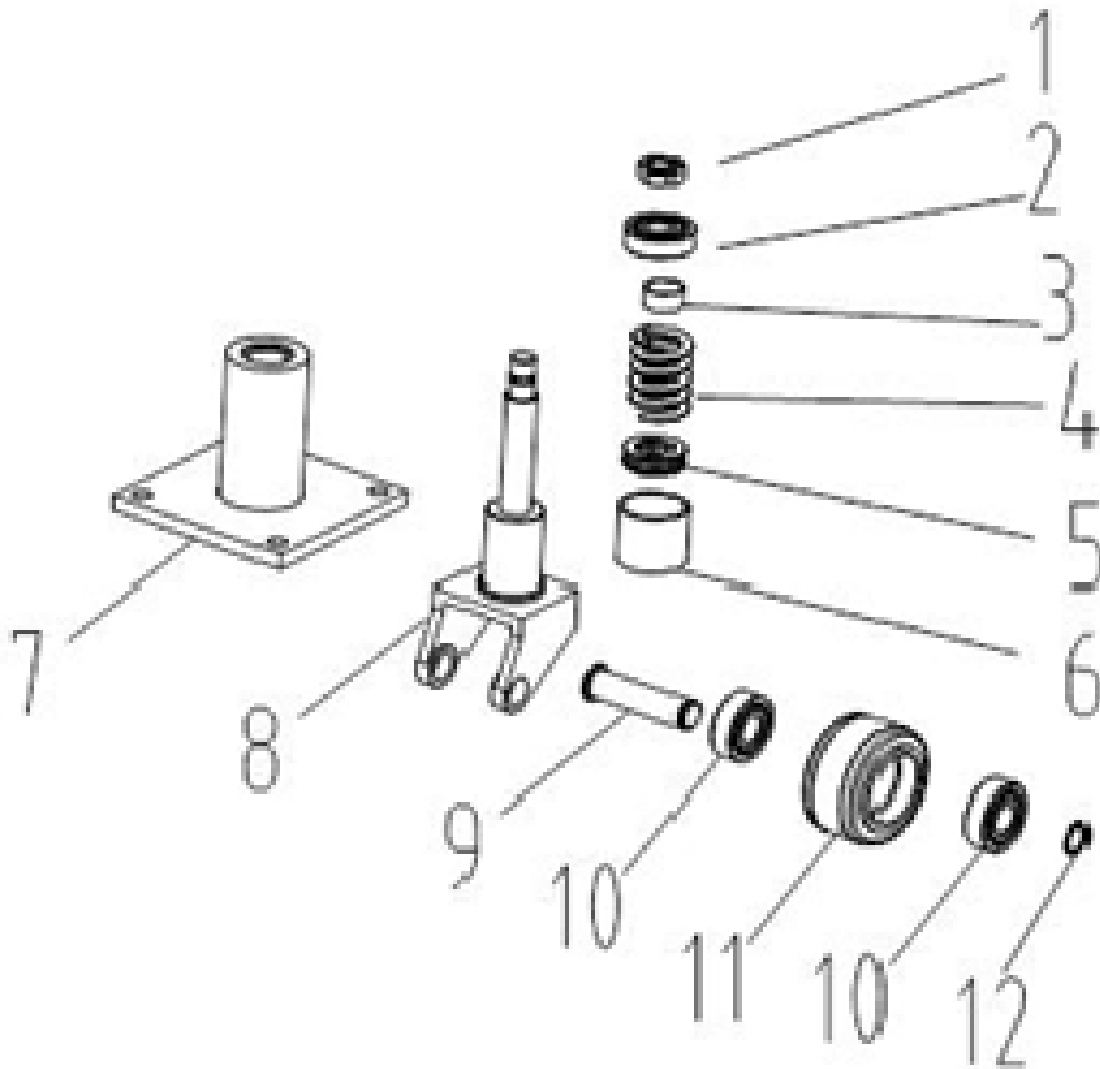
274723

REV A

274723

UNIVERSAL WHEEL

REPLACEMENT PARTS LIST			
ITEM	PART NO.	DESCRIPTION	QTY.
1	XXXXXX	NUT M12	1
2		BEARING 6201-ZZ	1
3		BEARING SF-1-15.12	1
4		SPRING	1
5		BEARING 51102	1
6		BEARING SF-1-28.30	1
7		WHEEL SEAT	1
8		WHEEL CARRIAGE	1
9		SHAFT	1
10		BEARING 6202-ZZ	2
11		WHEEL	1
12		CIRCLIP FOR SHAFT 14	1



THIS DRAWING IN ALL PARTICULARS IS WESCO INDUSTRIAL PRODUCTS, LLC PROPERTY. ALL RIGHTS OF DESIGN, INVENTION OR USE OF ARE RESERVED.

PRINT ISSUED

AUG. 26, 2020

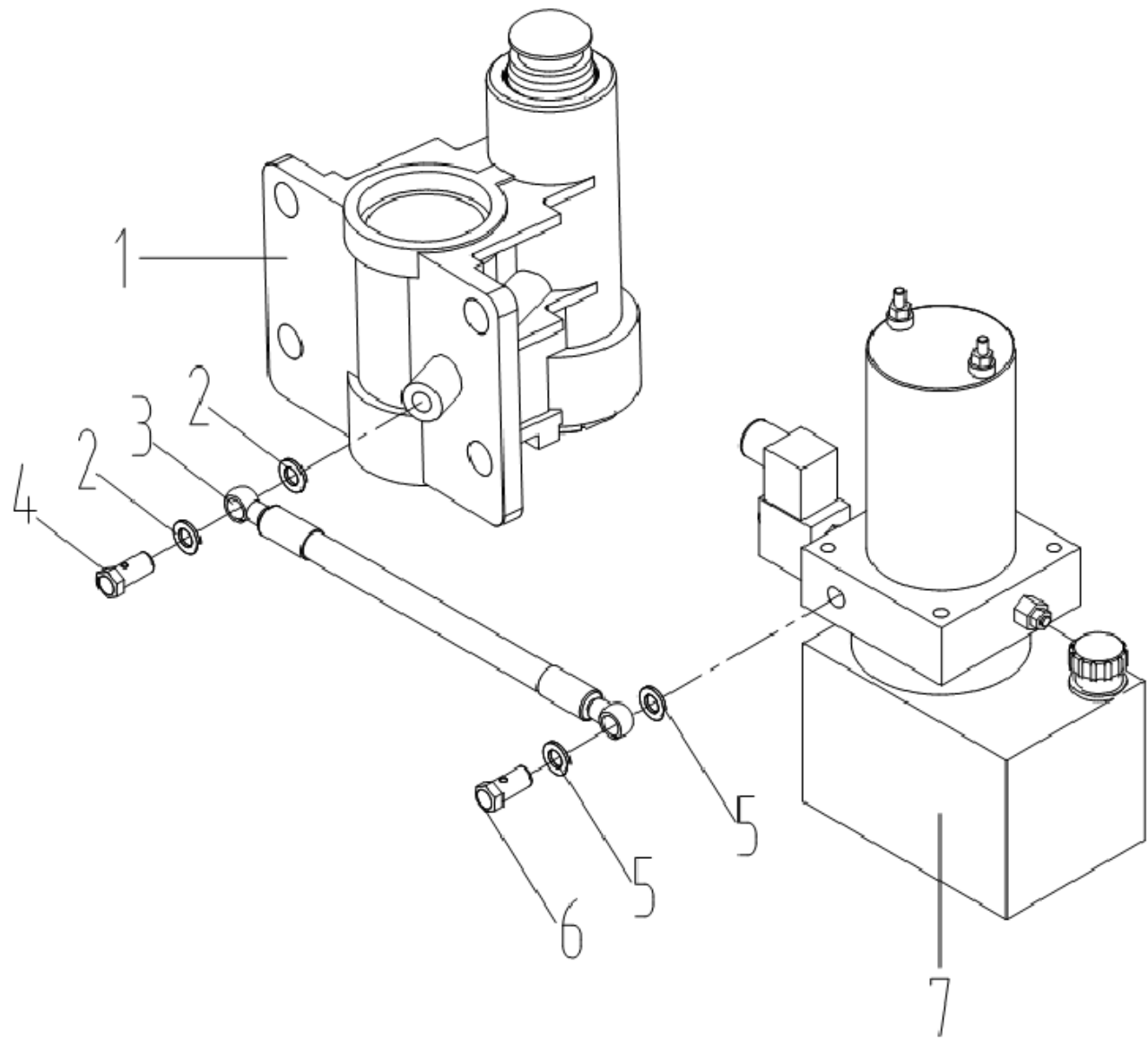
WESCO MANUFACTURING
ENGINEERING DEPARTMENT

REV.	ECH & DATE	REVISIONS	APP.	WESCO INDUSTRIAL PRODUCTS, LLC	
				NORTH WALES PENNA. 19454	
				PART NAME	
				ADVANTAGE PRO-MAX POWER	
				DRAWN: RWS 08-26-20	
				CHECKED:	
				APP. ENGR.	
TOLERANCE UNLESS OTHERWISE SPECIFIED					
FRACTION		3 PLACE DECIMAL	2 PLACE DECIMAL	SCALE:	
± 1/64		± .005	± .01	274723	
ANGULAR ± 1-1/2°		SHEET 2 OF 14		REV	A
BREAK ALL SHARP EDGES AND REMOVE ALL BURRS					

274723

HYDRAULIC SYSTEM

REPLACEMENT PARTS LIST			
ITEM	PART NO.	DESCRIPTION	QTY.
1	XXXXXX	OIL CYLINDER ASSEMBLY	1
2		WASHER 14	2
3		HOSE	1
4		JOINT	1
5		WASHER 12	2
6		JOINT	1
7		HYDRAULIC POWER UNIT	1



THIS DRAWING IN ALL PARTICULARS IS WESCO INDUSTRIAL PRODUCTS, LLC PROPERTY. ALL RIGHTS OF DESIGN, INVENTION OR USE OF ARE RESERVED.

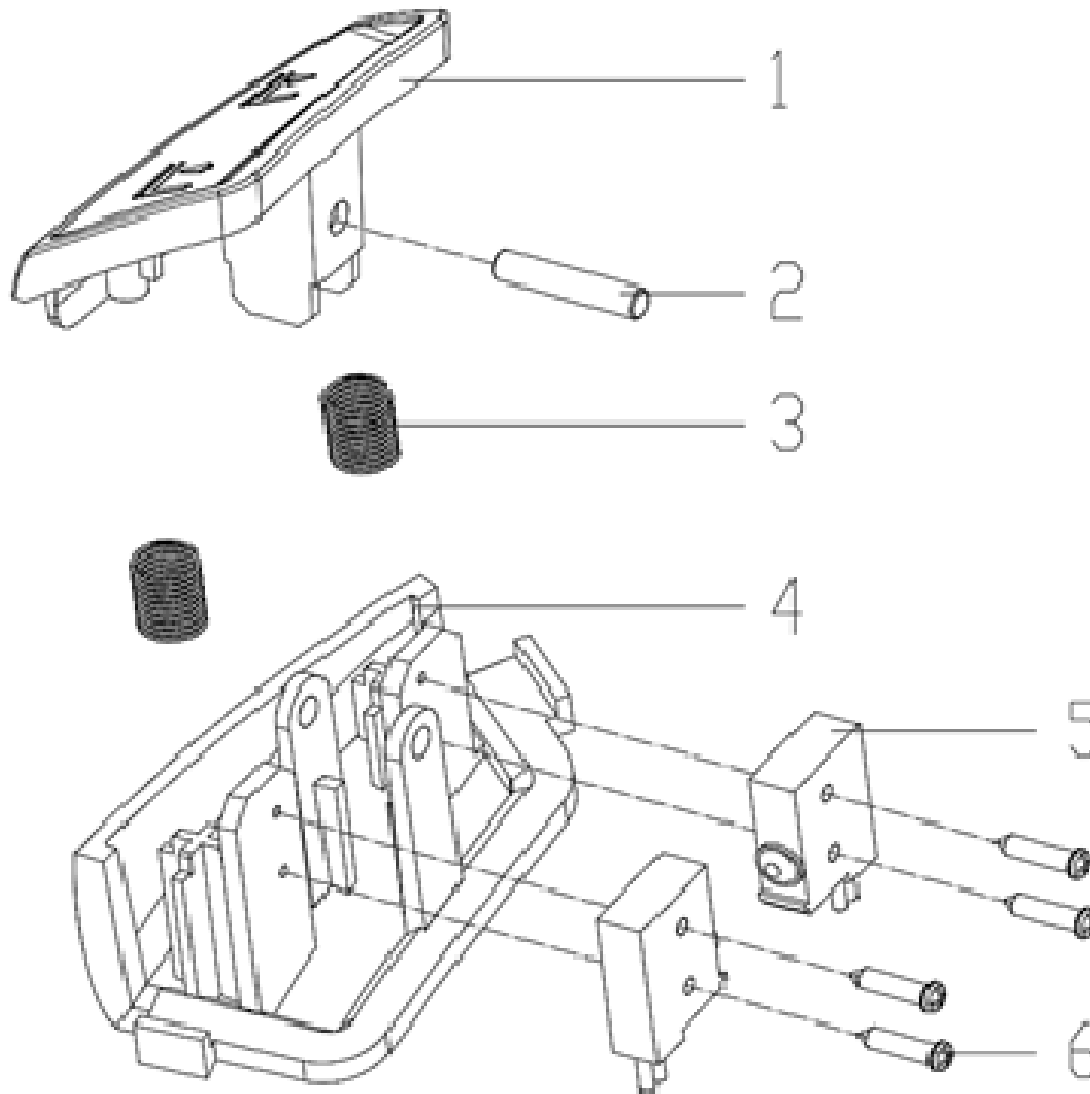
PRINT ISSUED
 AUG. 26, 2020
 WESCO MANUFACTURING
 ENGINEERING DEPARTMENT

REV. ECH & DATE REVISIONS APP.	WESCO INDUSTRIAL PRODUCTS, LLC		NORTH WALES PENNA. 19454	
	PART NAME ADVANTAGE PRO-MAX POWER		DRAWN: RWS 08-26-20	
	TOLERANCE UNLESS OTHERWISE SPECIFIED		CHECKED:	
	FRACTION 3 PLACE DECIMAL 2 PLACE DECIMAL		APP. ENGR.	
± 1/64 ± .005 ± .01		SCALE:		
ANGULAR ± 1-1/2°		SHEET 3 OF 14		
BREAK ALL SHARP EDGES AND REMOVE ALL BURRS		274723		
		REV A		

274723

BUTTON ASSEMBLY

REPLACEMENT PARTS LIST			
ITEM	PART NO.	DESCRIPTION	QTY.
1		KEYCAP (LEFT)	1
		KEYCAP (RIGHT)	
2		PIN	1
3		SPRING	2
4		BUTTON SEAT (LEFT)	1
		BUTTON SEAT (RIGHT)	
5		MICROSWITCH 3	1
6		SCREW ST2.2X12	4



THIS DRAWING IN ALL PARTICULARS IS WESCO INDUSTRIAL PRODUCTS, LLC PROPERTY. ALL RIGHTS OF DESIGN, INVENTION OR USE OF ARE RESERVED.

PRINT ISSUED

AUG. 26, 2020

WESCO MANUFACTURING
ENGINEERING DEPARTMENT

REV. ECH & DATE REVISIONS APP.

WESCO INDUSTRIAL PRODUCTS, LLC
NORTH WALES PENNA. 19454

PART NAME
ADVANTAGE PRO-MAX POWER

DRAWN: RWS 08-26-20

CHECKED:

APP. ENGR.

TOLERANCE UNLESS OTHERWISE SPECIFIED

FRACTION 3 PLACE DECIMAL 2 PLACE DECIMAL

± 1/64 ± .005 ± .01

ANGULAR ± 1-1/2° SHEET 4 OF 14

BREAK ALL SHARP EDGES AND REMOVE ALL BURRS

SCALE:

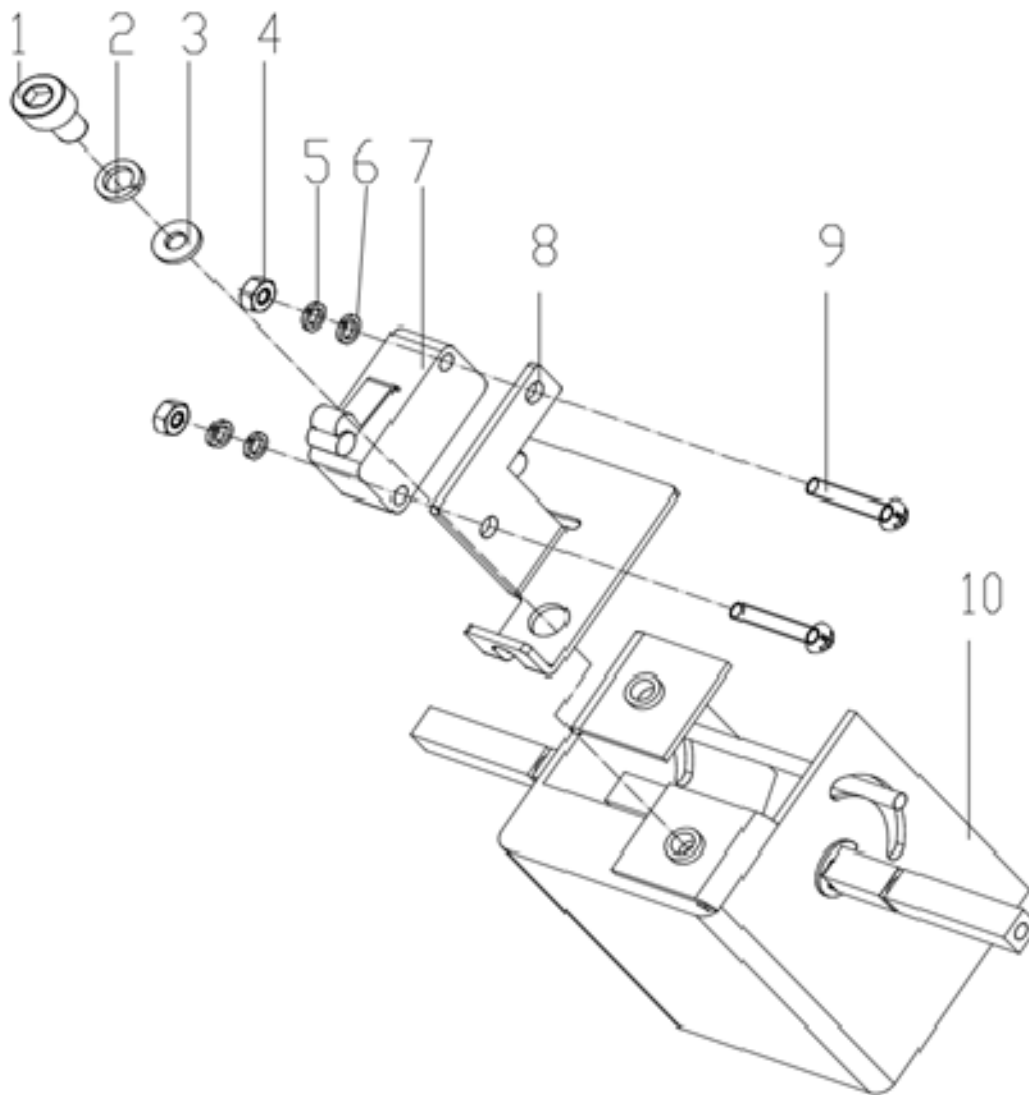
274723

REV A

274723

CURTIS ACCELERATOR ASSEMBLY

REPLACEMENT PARTS LIST			
ITEM	PART NO.	DESCRIPTION	QTY.
1	XXXXXX	SCREW M5X8	1
2		WASHER 5	1
3		WASHER 5	1
4		NUT 3	2
5		WASHER 3	2
6		WASHER 3	2
7		MICROSWITCH 1	1
8		MICROSWITCH SEAT	1
9		SCREW M3X16	2
10		ACCELERATOR ET-166MCU	1



THIS DRAWING IN ALL PARTICULARS IS WESCO INDUSTRIAL PRODUCTS, LLC PROPERTY. ALL RIGHTS OF DESIGN, INVENTION OR USE OF ARE RESERVED.

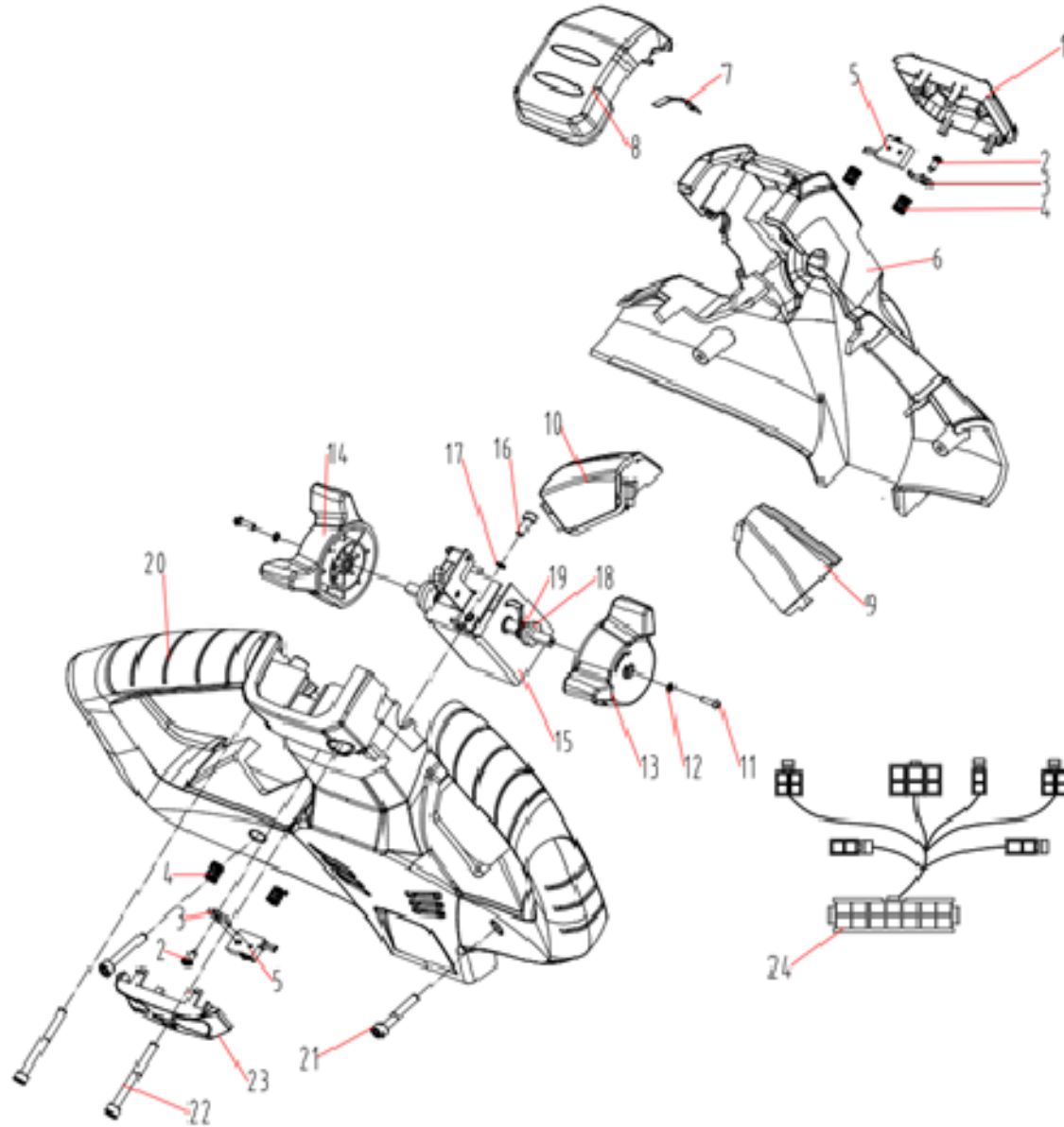
PRINT ISSUED

AUG. 26, 2020

WESCO MANUFACTURING
ENGINEERING DEPARTMENT

REV. ECH & DATE REVISIONS APP.	WESCO INDUSTRIAL PRODUCTS, LLC NORTH WALES PENNA. 19454		DRAWN: RWS 08-26-20
	PART NAME ADVANTAGE PRO-MAX POWER		CHECKED:
	TOLERANCE UNLESS OTHERWISE SPECIFIED		APP. ENGR.
	FRACTION ± 1/64	3 PLACE DECIMAL ± .005	2 PLACE DECIMAL ± .01
ANGULAR ± 1-1/2°		SHEET 5 OF 14	REV A
BREAK ALL SHARP EDGES AND REMOVE ALL BURRS			

HANDLE ASSEMBLY



SEE PAGE 4

SEE PAGE 5

REPLACEMENT PARTS LIST			
ITEM	PART NO.	DESCRIPTION	QTY.
1	XXXXXX	HORN BUTTON	1
2		SCREW ST2.9X6.5	2
3		MICROSWITCH INSERT	1
4		BUTTON SPRING	2
5		MICROSWITCH 2	2
6		UPPER COVER ASSEMBLY	1
7		SHRAPNEL	1
8		EMERGENCY REVERSE BUTTON	1
9		BUTTON ASSEMBLY (RIGHT)	1
10		BUTTON ASSEMBLY (LEFT)	1
11		SCREW M3X12	2
12		WASHER 3	2
13		ROTARY KNOB (RIGHT)	1
14		ROTARY KNOB (LEFT)	1
15		CURTIS ACCELERATOR ASSEMBLY	1
16		SCREW M4X12	1
17		WASHER 4	1
18		SUPPORT RING 1	2
19		SUPPORT RING 2	2
20		LOWER COVER ASSEMBLY	1
21		SCREW M5X35	2
22		SCREW M5X50	2
23		SLOW BUTTON	1
24		WIRING HARNESS	1

THIS DRAWING IN ALL PARTICULARS IS WESCO INDUSTRIAL PRODUCTS, LLC PROPERTY. ALL RIGHTS OF DESIGN, INVENTION OR USE OF ARE RESERVED.

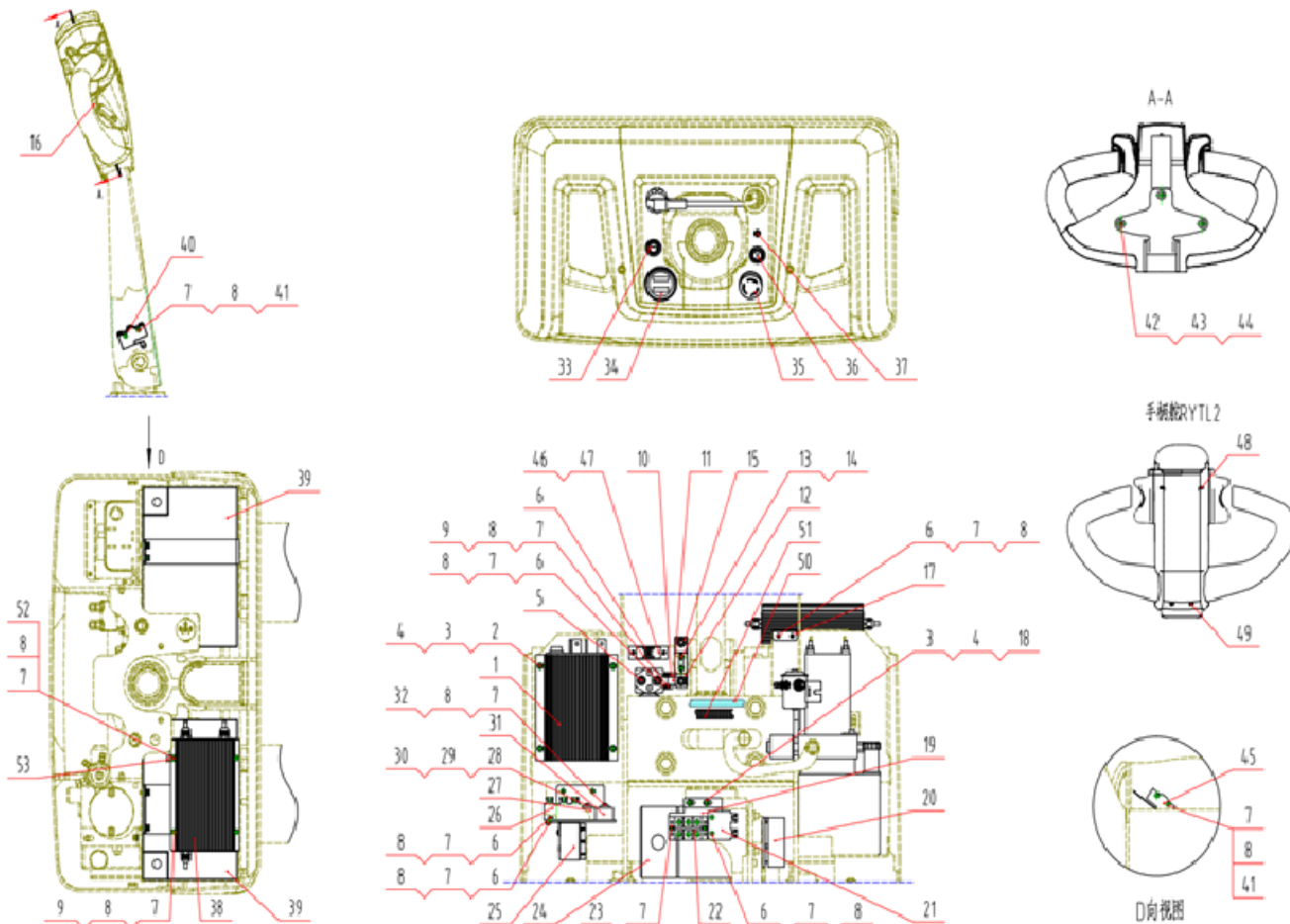
PRINT ISSUED

AUG. 26, 2020

WESCO MANUFACTURING
ENGINEERING DEPARTMENT

REV. ECH & DATE REVISIONS APP.	WESCO INDUSTRIAL PRODUCTS, LLC NORTH WALES PENNA. 19454		DRAWING: RWS 08-26-20
	PART NAME ADVANTAGE PRO-MAX POWER		CHECKED: APP. ENGR.
	TOLERANCE UNLESS OTHERWISE SPECIFIED		
	FRACTION ± 1/64	3 PLACE DECIMAL ± .005	2 PLACE DECIMAL ± .01
ANGULAR ± 1-1/2°		SHEET 6 OF 14	REV A
BREAK ALL SHARP EDGES AND REMOVE ALL BURRS			

ELECTRICAL SYSTEM



REPLACEMENT PARTS LIST			
ITEM	PART NO.	DESCRIPTION	QTY.
1	XXXXXX	BRUSHLESS CONTROLLER	1
2		SCREW M6X12	4
3		WASHER 6	6
4		WASHER 6	6
5		CONTACTOR	1
6		SCREW M4X6	12
7		WASHER 4	23
8		WASHER 4	21
9		SCREW M4X8	5
10		CONTACTOR MOUNTING PLATE 1?SW80?	1
11		CONNECTING STRIP	1
12		FUSE	1
13		WASHER 5	2
14		SCREW M5X16	2
15		FUSE SEAT	1
SEE PAGE 6	16	HANDLE ASSEMBLY	1
17		FIXED SEAT B	1
18		SCREW M6X12	2
19		LOAD PLATE	1
20		BRAKE ACCESSORY	1
21		FIXED SEAT B	1
22		TERMINAL TB-4503	1
23		SCREW M4X10	1
24		DC MOTOR	1
25		ALARM	1
26		FIXED SEAT	1
27		CONVERSION SCREEN LJZ2B	1
28		SCREW M4X30	1
29		WASHER 4	1
30		WASHER 4	1
31		REVERSER	1
32		SCREW M4X30	1
33		SLOW SWITCH	1
34		INSTRUMENT	1
35		EMERGENCY STOP SWITCH TN3BK-1C	1
36		KEY ACCESSORY	1
37		LED SEAT (5mm)	1
38		CHARGER	1
39		LEAD-ACID CELL	1
40		MICROSWITCH TM1704	2
41		SCREW M4X25	1
42		SCREW M8X16	4
43		WASHER 8	3
44		WASHER 8	3
45		MICROSWITCH LXW5-11N1	1
46		FUSE SEAT	1
47		FUSE	1
48		SCREW M4X25	2
49		SCREW M4X35	2
SEE PAGE 8	50	MAIN CIRCUIT CHART	1
SEE PAGE 9	51	CONTROL WIRE CHART	1
52		SCREW M4X10	1
53		FIXED BUTTON ACC-2-B	1

THIS DRAWING IN ALL PARTICULARS IS WESCO INDUSTRIAL PRODUCTS, LLC PROPERTY. ALL RIGHTS OF DESIGN, INVENTION OR USE OF ARE RESERVED.

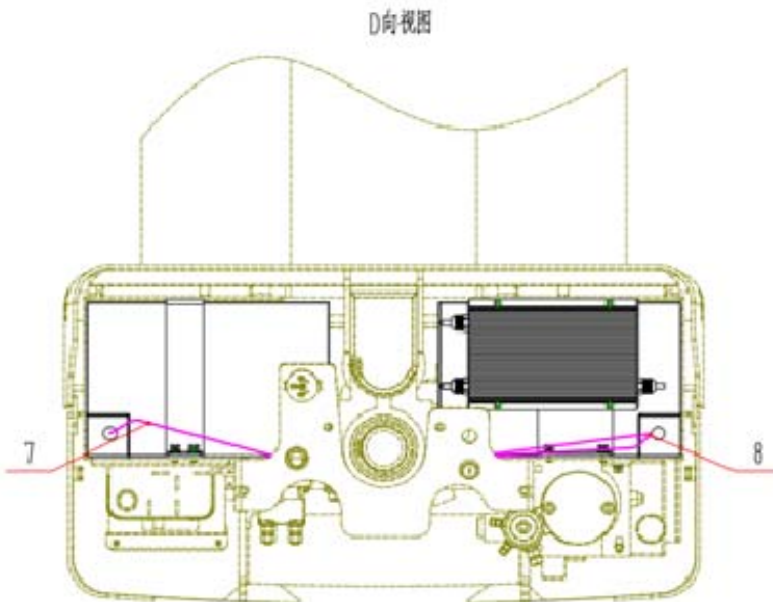
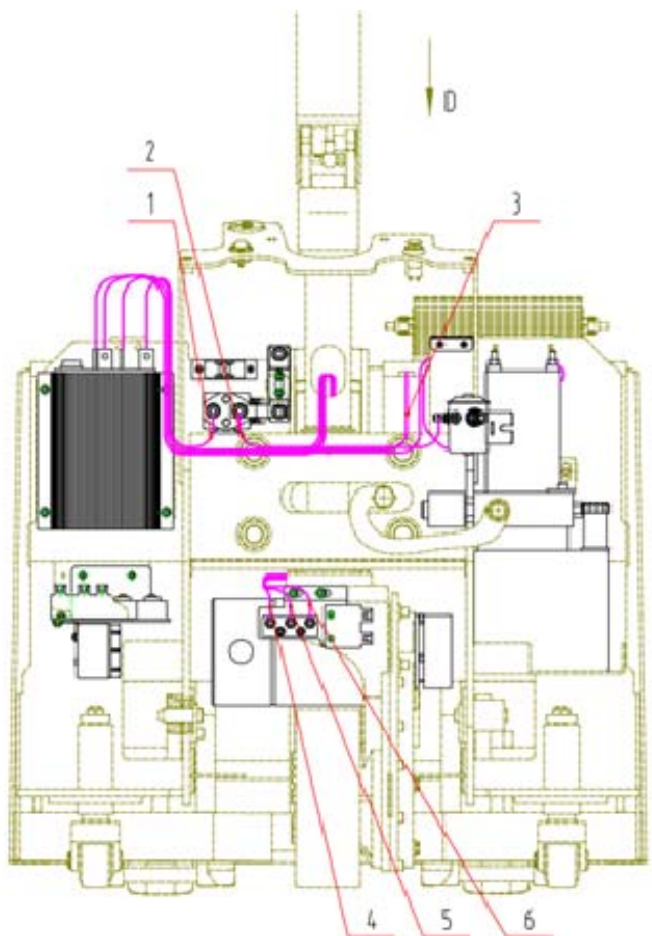
PRINT ISSUED
 AUG. 26, 2020
 WESCO MANUFACTURING
 ENGINEERING DEPARTMENT

REV. ECH & DATE REVISIONS	WESCO INDUSTRIAL PRODUCTS, LLC NORTH WALES PENNA. 19454		DRAWING: RWS 08-26-20
	PART NAME ADVANTAGE PRO-MAX POWER		CHECKED: APP. ENGR.
	TOLERANCE UNLESS OTHERWISE SPECIFIED		
	FRACTION ± 1/64	3 PLACE DECIMAL ± .005	2 PLACE DECIMAL ± .01

274723

MAIN CIRCUIT CHART

REPLACEMENT PARTS LIST			
ITEM	PART NO.	DESCRIPTION	QTY.
1	XXXXXX	POSITIVE WIRE D+	1
2		POSITIVE WIRE Y+	1
3		SERIES WIRE C	1
4		MOTOR PHASE A	1
5		MOTOR PHASE B	1
6		MOTOR PHASE C	1
7		POSITIVE WIRE B+	1
8		NEGATIVE WIRE B-	1



THIS DRAWING IN ALL PARTICULARS IS WESCO INDUSTRIAL PRODUCTS, LLC PROPERTY. ALL RIGHTS OF DESIGN, INVENTION OR USE OF ARE RESERVED.

PRINT ISSUED

AUG. 26, 2020

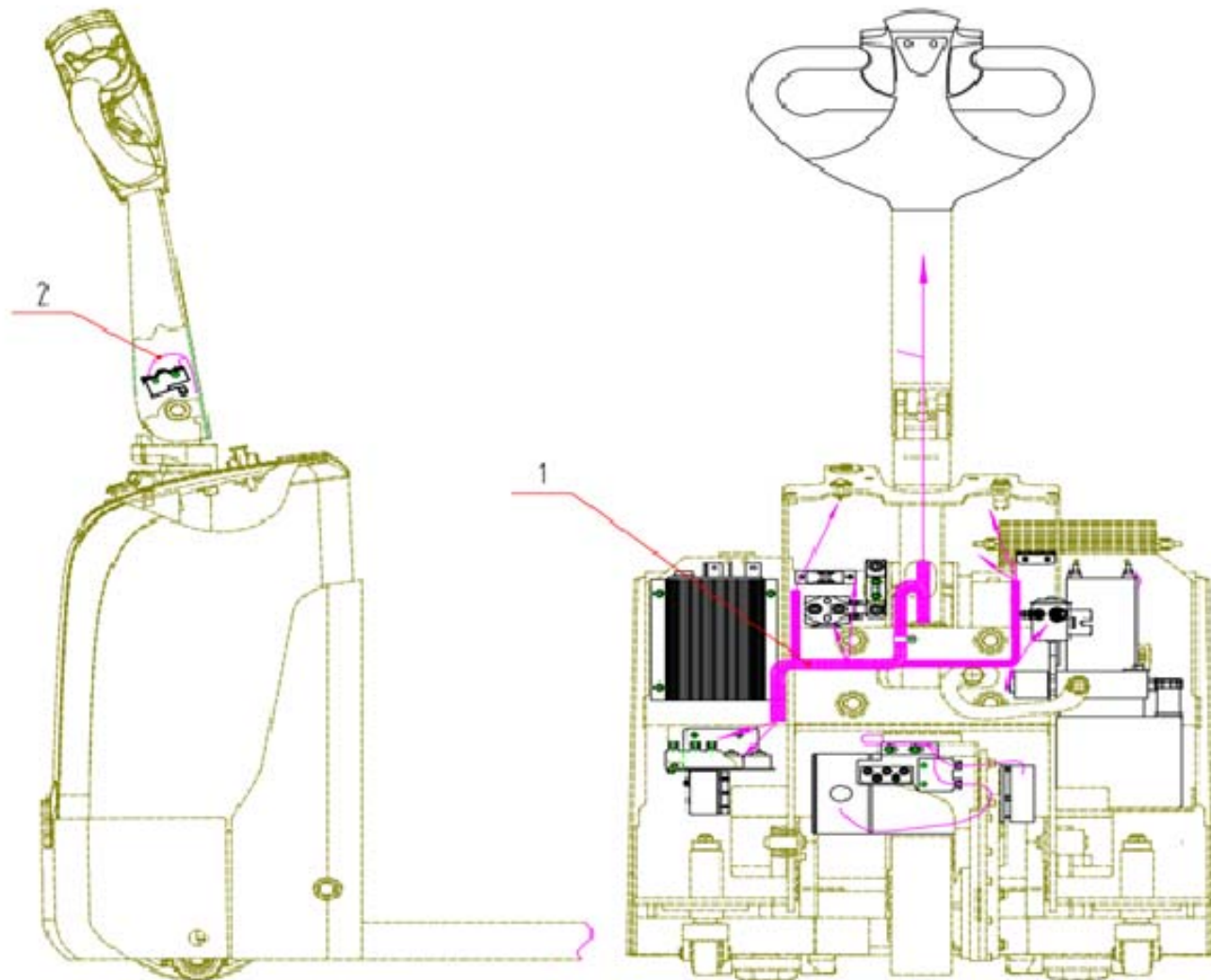
WESCO MANUFACTURING
ENGINEERING DEPARTMENT

REV. ECH & DATE REVISIONS APP.	WESCO INDUSTRIAL PRODUCTS, LLC NORTH WALES PENNA. 19454		DRAWING: RWS 08-26-20
	PART NAME ADVANTAGE PRO-MAX POWER		CHECKED:
	TOLERANCE UNLESS OTHERWISE SPECIFIED		APP. ENGR.
	FRACTION 3 PLACE DECIMAL 2 PLACE DECIMAL ± 1/64 ± .005 ± .01 ANGULAR ± 1-1/2° SHEET 8 OF 14 BREAK ALL SHARP EDGES AND REMOVE ALL BURRS	SCALE:	
		274723	REV A

274723

CONTROL WIRE CHART

REPLACEMENT PARTS LIST			
ITEM	PART NO.	DESCRIPTION	QTY.
1	XXXXXX	WIRING HARNESS	1
2		CONNECTING WIRE	1



THIS DRAWING IN ALL PARTICULARS IS WESCO INDUSTRIAL PRODUCTS, LLC PROPERTY. ALL RIGHTS OF DESIGN, INVENTION OR USE OF ARE RESERVED.

PRINT ISSUED

AUG. 26, 2020

WESCO MANUFACTURING
ENGINEERING DEPARTMENT

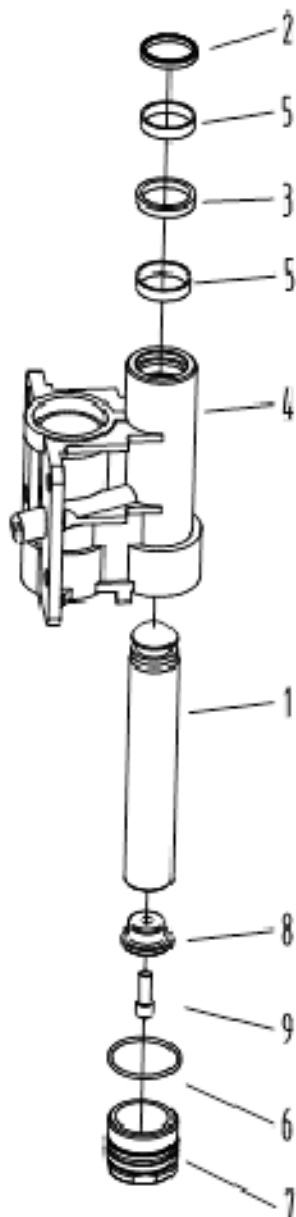
REV. ECH & DATE
REVISIONS
APP.

WESCO INDUSTRIAL PRODUCTS, LLC NORTH WALES PENNA. 19454	
PART NAME ADVANTAGE PRO-MAX POWER	DRAWING: RWS 08-26-20
CHECKED:	
APP. ENGR.	
TOLERANCE UNLESS OTHERWISE SPECIFIED	
FRACTION ± 1/64	3 PLACE DECIMAL ± .005
2 PLACE DECIMAL ± .01	SCALE:
ANGULAR ± 1-1/2°	SHEET 9 OF 14
BREAK ALL SHARP EDGES AND REMOVE ALL BURRS	
274723	REV A

274723

OIL CYLINDER ASSEMBLY

REPLACEMENT PARTS LIST			
ITEM	PART NO.	DESCRIPTION	QTY.
1	XXXXXX	PISTON ROD	1
2		DUST RING DHS48-56-5/6.5	1
3		SEAL RING UNS48-58-7	1
4		SEAT	1
5		GUIDE TAPE BST5809-10-2.5	2
6		O-RING 65X3.55	1
7		END CAP	1
8		STOP BLOCK	1
9		SCREW M12X25	1



THIS DRAWING IN ALL PARTICULARS IS WESCO INDUSTRIAL PRODUCTS, LLC PROPERTY. ALL RIGHTS OF DESIGN, INVENTION OR USE OF ARE RESERVED.

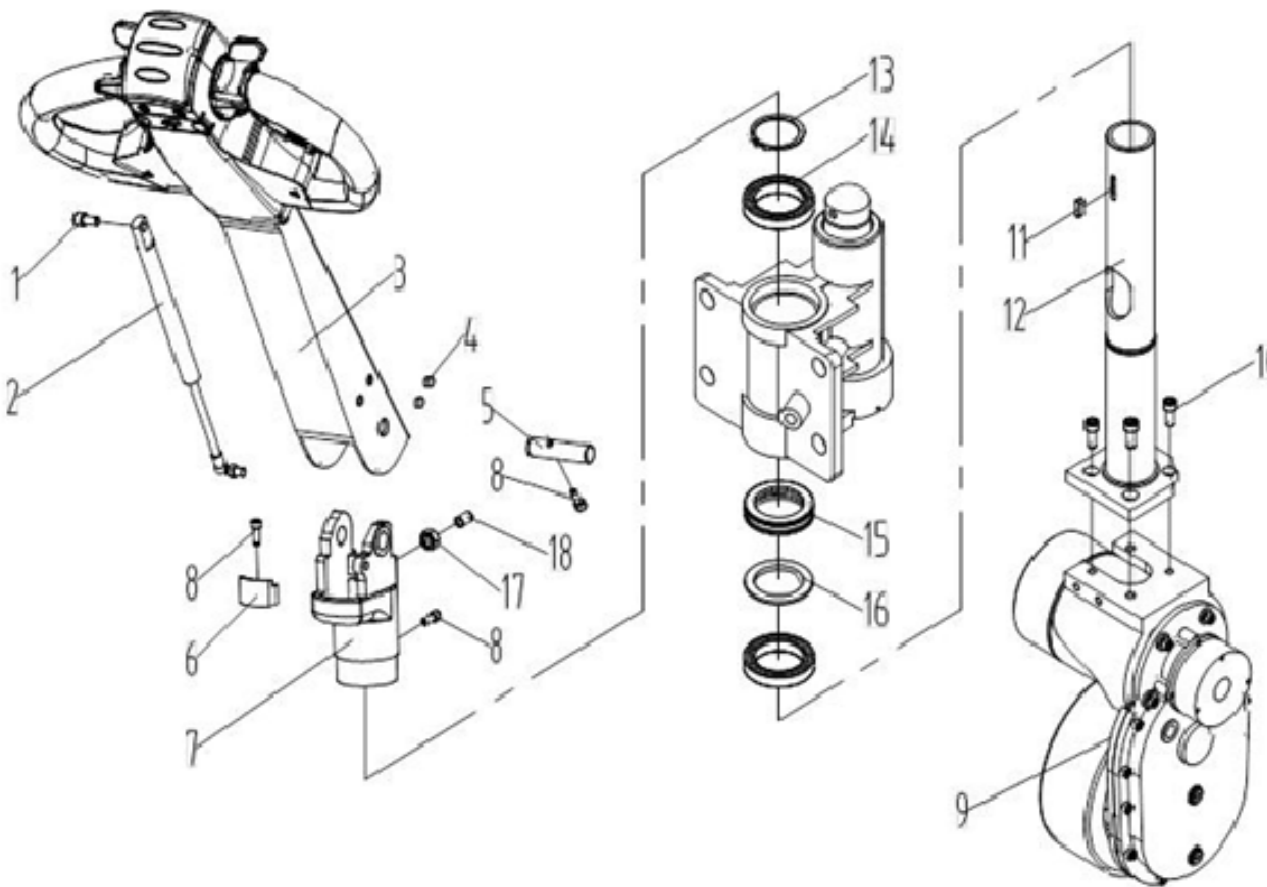
PRINT ISSUED
 AUG. 26, 2020
 WESCO MANUFACTURING
 ENGINEERING DEPARTMENT

REV.	ECH & DATE	REVISONS	APP.	WESCO INDUSTRIAL PRODUCTS, LLC	
				NORTH WALES PENNA. 19454	
				PART NAME ADVANTAGE PRO-MAX POWER	
				DRAWING: RWS 08-26-20	
				CHECKED:	
				APP. ENGR.	
TOLERANCE UNLESS OTHERWISE SPECIFIED					
FRACTION		3 PLACE DECIMAL	2 PLACE DECIMAL	SCALE:	
± 1/64		± .005	± .01	274723	
ANGULAR ± 1-1/2°		SHEET 10 OF 14		REV	A
BREAK ALL SHARP EDGES AND REMOVE ALL BURRS					

274723

STEERING GEAR ASSEMBLY

SEE PAGE 12



REPLACEMENT PARTS LIST			
ITEM	PART NO.	DESCRIPTION	QTY.
1	XXXXXX	PISTON ROD	1
2		SCREW	1
3		GAS SPRING	1
4		END CAP	2
5		PIN	1
6		BLOCK	1
7		HANDLE SEAT	1
8		SCREW M6X12	3
9		DRIVE WHEEL ASSEMBLY	1
10		SCREW M8X20	4
11		FLAT KEY 6X6X20	1
12		SHAFT	1
13		CIRCLIP FOR SHAFT 50	1
14		BEARING 61910-2Z	2
15		BEARING 51110	1
16		WASHER	1
17		NUT M10	1
18		SCREW M10X20	1

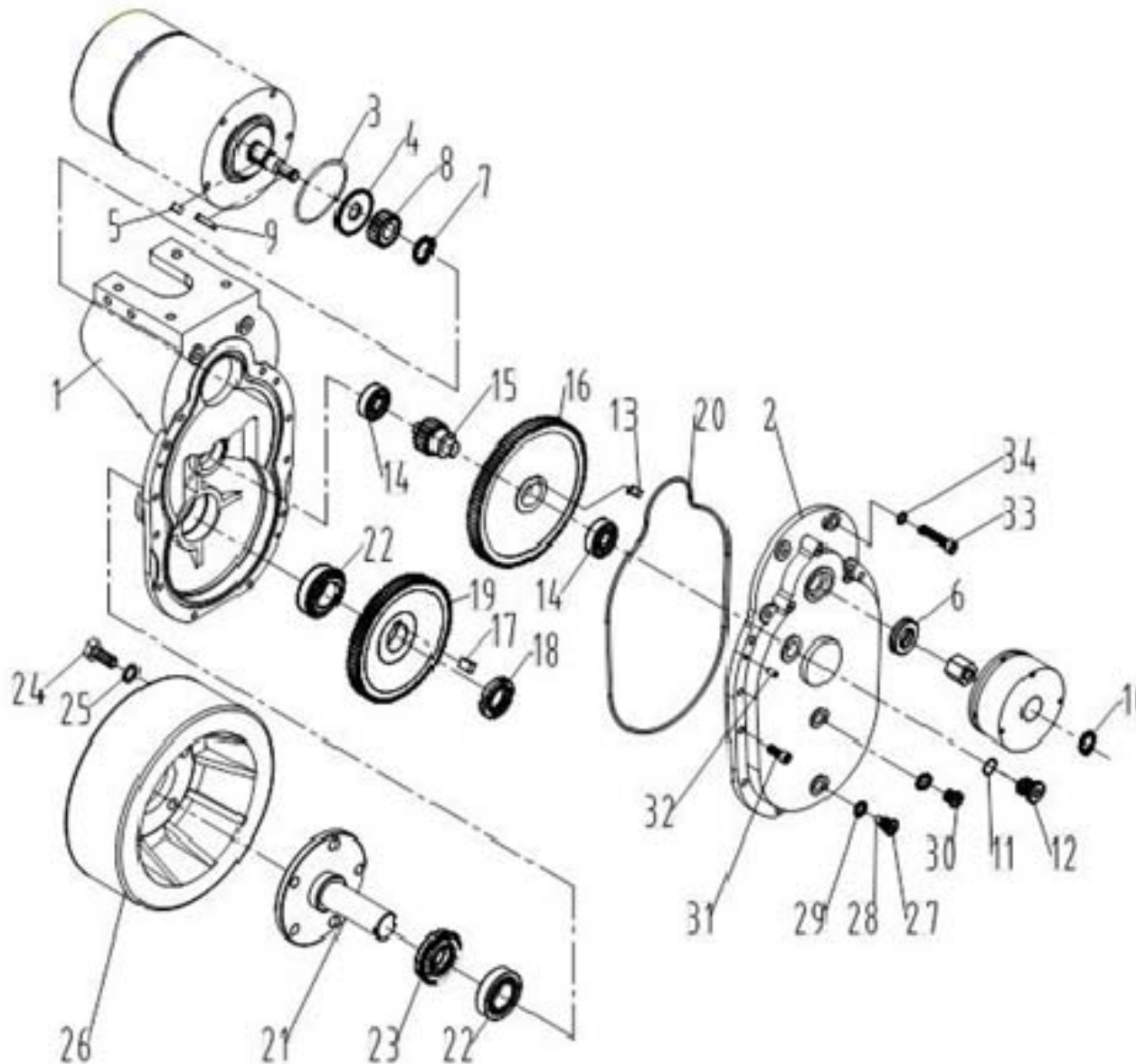
THIS DRAWING IN ALL PARTICULARS IS WESCO INDUSTRIAL PRODUCTS, LLC PROPERTY. ALL RIGHTS OF DESIGN, INVENTION OR USE OF ARE RESERVED.

PRINT ISSUED
 AUG. 26, 2020
 WESCO MANUFACTURING
 ENGINEERING DEPARTMENT

REV. ECH & DATE REVISIONS APP.	WESCO INDUSTRIAL PRODUCTS, LLC NORTH WALES PENNA. 19454		DRAWING: RWS 08-26-20
	PART NAME ADVANTAGE PRO-MAX POWER		CHECKED:
	TOLERANCE UNLESS OTHERWISE SPECIFIED		APP. ENGR.
	FRACTION ± 1/64	3 PLACE DECIMAL ± .005	2 PLACE DECIMAL ± .01
ANGULAR ± 1-1/2°		SHEET 11 OF 14	REV A
BREAK ALL SHARP EDGES AND REMOVE ALL BURRS			

274723

DRIVE WHEEL ASSEMBLY



REPLACEMENT PARTS LIST			
ITEM	PART NO.	DESCRIPTION	QTY.
1	XXXXXX	RIGHT BOX	1
2		LEFT BOX	1
3		O-RING 56X2.65	1
4		OIL RETAINING RING	1
5		FLAT KEY 5X5X14	1
6		SEAL RING 14X25X5	1
7		CIRCLIP FOR SHAFT 15	1
8		GEAR 1-19	1
9		FLAT KEY 3X3X12	1
10		CIRCLIP FOR SHAFT 10	1
11		O-RING 10X2.65	1
12		OIL PLUG M14X1.5	1
13		FLAT KEY 6X6X10	1
14		BEARING 6201-P5	2
15		GEAR SHAFT 3-17	1
16		GEAR 2-90	1
17		FLAT KEY 8X7X18	2
18		ROUND NUT	1
19		GEAR 4-87	1
20		SEAL RING	1
21		SHAFT	1
22		BEARING 32005-P5	2
23		SEAL RING 35X47X7	1
24		SCREW M10X20	5
25		WASHER 10	5
26		PU WHEEL 195X70	1
27		PLUG	1
28		MAGNETIC STEEL	1
29		WASHER 10	2
30		SCREW M10X1	1
31		SCREW M6X20	10
32		PIN 4X20	2
33		SCREW M6X35	4
34		WASHER 6	4

THIS DRAWING IN ALL PARTICULARS IS WESCO INDUSTRIAL PRODUCTS, LLC PROPERTY. ALL RIGHTS OF DESIGN, INVENTION OR USE OF ARE RESERVED.

PRINT ISSUED

AUG. 26, 2020

WESCO MANUFACTURING
ENGINEERING DEPARTMENT

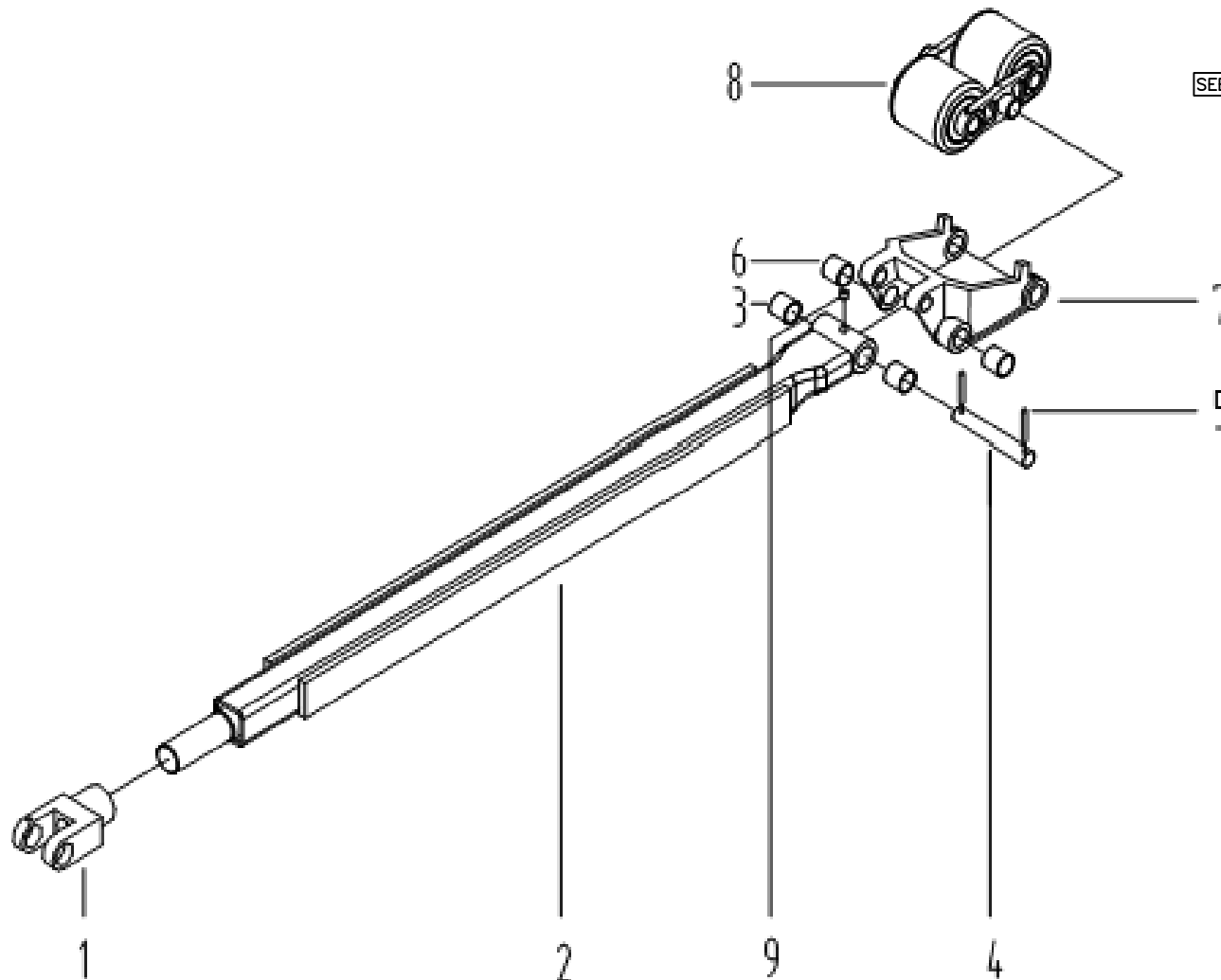
REV.	ECH & DATE	REVISIONS	APP.		
			WESCO INDUSTRIAL PRODUCTS, LLC		
			NORTH WALES PENNA. 19454		
			DRAWING: RWS 08-26-20		
PART NAME			ADVANTAGE PRO-MAX POWER		
CHECKED:			APP. ENGR.		
TOLERANCE UNLESS OTHERWISE SPECIFIED					
FRACTION		3 PLACE DECIMAL	2 PLACE DECIMAL	SCALE:	
± 1/64		± .005	± .01		
ANGULAR ± 1-1/2°		SHEET 12 OF 14		274723	REV A
BREAK ALL SHARP EDGES AND REMOVE ALL BURRS					

274723

CONNECTING ROD AND WHEEL CARRIAGE ASSEMBLY

REPLACEMENT PARTS LIST			
ITEM	PART NO.	DESCRIPTION	QTY.
1	XXXXXX	JOINT	1
2		CONNECTING ROD ASSEMBLY	1
3		BEARING SF-1-16.20	2
4		PIN	1
5		PIN 5X22	2
6		BEARING SF-1-20.25	2
7		WHEEL CARRIAGE	1
8		LOAD WHEEL ASSEMBLY	1
9		OILER 6	1

SEE PAGE 14



THIS DRAWING IN ALL PARTICULARS IS WESCO INDUSTRIAL PRODUCTS, LLC PROPERTY. ALL RIGHTS OF DESIGN, INVENTION OR USE OF ARE RESERVED.

PRINT ISSUED

AUG. 26, 2020

WESCO MANUFACTURING
ENGINEERING DEPARTMENT

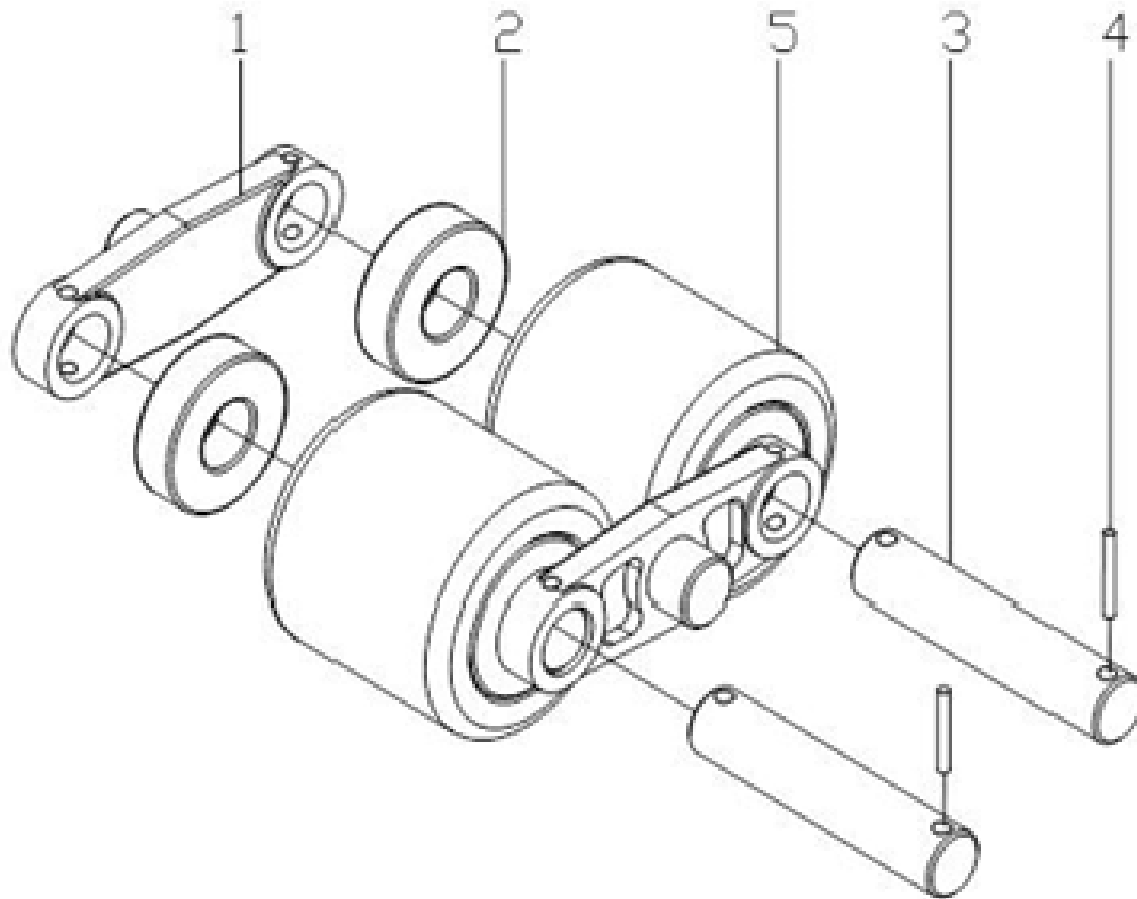
REV. ECH & DATE REVISIONS APP.

WESCO INDUSTRIAL PRODUCTS, LLC NORTH WALES PENNA. 19454	
PART NAME ADVANTAGE PRO-MAX POWER	DRAWING: RWS 08-26-20
CHECKED:	
APP. ENGR.	
TOLERANCE UNLESS OTHERWISE SPECIFIED	
FRACTION 3 PLACE DECIMAL 2 PLACE DECIMAL	SCALE:
± 1/64 ± .005 ± .01	SHEET 13 OF 14
BREAK ALL SHARP EDGES AND REMOVE ALL BURRS	
274723	REV A

274723

LOAD WHEEL ASSEMBLY

REPLACEMENT PARTS LIST			
ITEM	PART NO.	DESCRIPTION	QTY.
1	XXXXXX	SHAFT	2
2		BEARING 6204-2RS	4
3		SUPPORT PLATE	2
4		NUT M12	2
5		SCREW M12X90	2
6		WHEEL	2



THIS DRAWING IN ALL PARTICULARS IS WESCO INDUSTRIAL PRODUCTS, LLC PROPERTY. ALL RIGHTS OF DESIGN, INVENTION OR USE OF ARE RESERVED.

PRINT ISSUED

AUG. 26, 2020

WESCO MANUFACTURING
ENGINEERING DEPARTMENT

REV. ECH & DATE REVISIONS APP.	WESCO INDUSTRIAL PRODUCTS, LLC NORTH WALES PENNA. 19454		DRAWN: RWS 08-26-20
	PART NAME ADVANTAGE PRO-MAX POWER		CHECKED:
	TOLERANCE UNLESS OTHERWISE SPECIFIED		APP. ENGR.
	FRACTION ± 1/64	3 PLACE DECIMAL ± .005	2 PLACE DECIMAL ± .01
ANGULAR ± 1-1/2°		SHEET 14 OF 14	REV A
BREAK ALL SHARP EDGES AND REMOVE ALL BURRS			