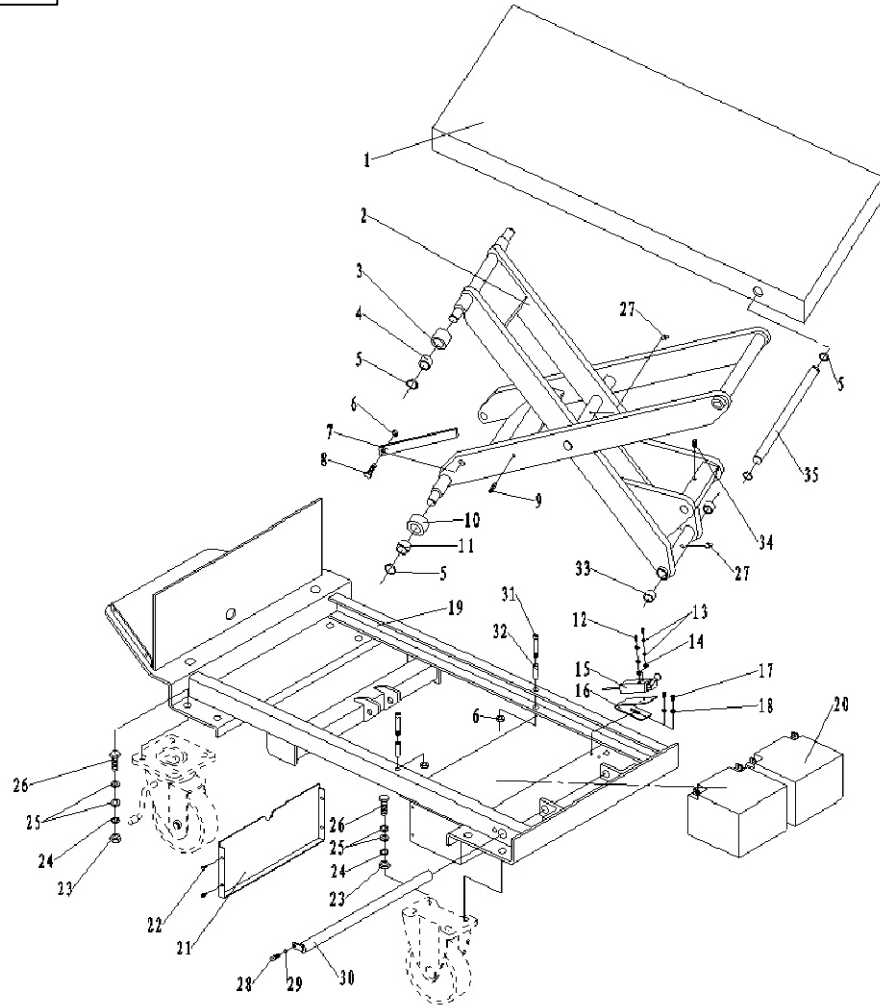


273711



**REPLACEMENT PARTS LIST**

| ITEM | PART NO. | DESCRIPTION                    | QTY. |
|------|----------|--------------------------------|------|
| 1    |          | PLATFORM WELDMENT              | 1    |
| 2    |          | SCISSORS WELDMENT              | 1    |
| 3    |          | UPPER ROLLER                   | 1    |
| 4    |          | COMPOUND SLEEVE 202330         | 2    |
| 5    |          | CIRCLIPS FOR SHAFT 20          | 6    |
| 6    |          | LOCK NUT M10                   | 4    |
| 7    |          | SUPPORT PLATE                  | 2    |
| 8    |          | BOLT M10 X 35                  | 2    |
| 9    |          | ELASTIC CYLINDRICAL PIN 8 X 30 | 1    |
| 10   |          | UNDER ROLLER                   | 2    |
| 11   |          | COMPOUND SLEEVE 20 X 23 X 20   | 2    |
| 12   |          | SCREW M4 X 35                  | 2    |
| 13   |          | FLAT WASHER 4                  | 4    |
| 14   |          | HEX NUT M4                     | 2    |
| 15   |          | LIMIT SWITCH TZ-8104           | 1    |
| 16   |          | TRAVEL SWITCH BASE             | 1    |
| 17   |          | SCREW M4 X 10                  | 2    |
| 18   |          | FLAT WASHER 5                  | 2    |
| 19   |          | CHASSIS WELDMENT               | 1    |
| 20   |          | BATTERY 12V/24AH               | 2    |
| 21   |          | TANK COVER                     | 1    |
| 22   |          | SCREW M4 X 8                   | 4    |
| 23   |          | HEX NUT M10                    | 16   |
| 24   |          | SPRING WASHER 10               | 16   |
| 25   |          | FLAT WASHER 10                 | 32   |
| 26   |          | BOLT M10 X 25                  | 16   |
| 27   |          | GREASING CUP M6                | 2    |
| 28   |          | BOLT M8 X 15                   | 1    |
| 29   |          | SPRING WASHER 8                | 1    |
| 30   |          | LONG SHAFT WELDMENT            | 1    |
| 31   |          | SCREW M10 X 80                 | 2    |
| 32   |          | BUSHING                        | 2    |
| 33   |          | COMPOUND SLEEVE 25 X 29 X 25   | 2    |
| 34   |          | SET SCREW M8 X 12              | 1    |
| 35   |          | LONG SHAFT                     | 1    |

**POWERED SCISSORS LIFT TABLES**

P/N: 273711  
 Model: PSLT-1100  
 Capacity: 1100 lbs  
 Table Top Size: 20.5" x 39.75" x 2.25"  
 Overall Height: 38"  
 Overall Width: 20.5"  
 Overall Length: 52"  
 Caster: 6" x 1.5"  
 Moldon Polyurethane  
 Weight: 346 lbs

THIS DRAWING IN ALL PARTICULARS IS WESCO INDUSTRIAL PRODUCTS INC. PROPERTY. ALL RIGHTS OF DESIGN, INVENTION OR USE OF ARE RESERVED.

PRINT ISSUED

FEB-25-2015

WESCO MANUFACTURING  
ENGINEERING DEPARTMENT

APP  
ECN & DATE  
REV.

REVISIONS

**WESCO INDUSTRIAL PRODUCTS INC.**

NORTH WALES

PENNA. 19454

PART NAME

PSLT-1100

DRAWN: RS 02-25-15

POWERED SCISSORS LIFT TABLES

CHECKED:

TOLERANCE UNLESS OTHERWISE SPECIFIED

APP. ENGR.

FRACTION 3 PLACE DECIMAL 2 PLACE DECIMAL

SCALE:

± 1/64 ± .005 ± .01

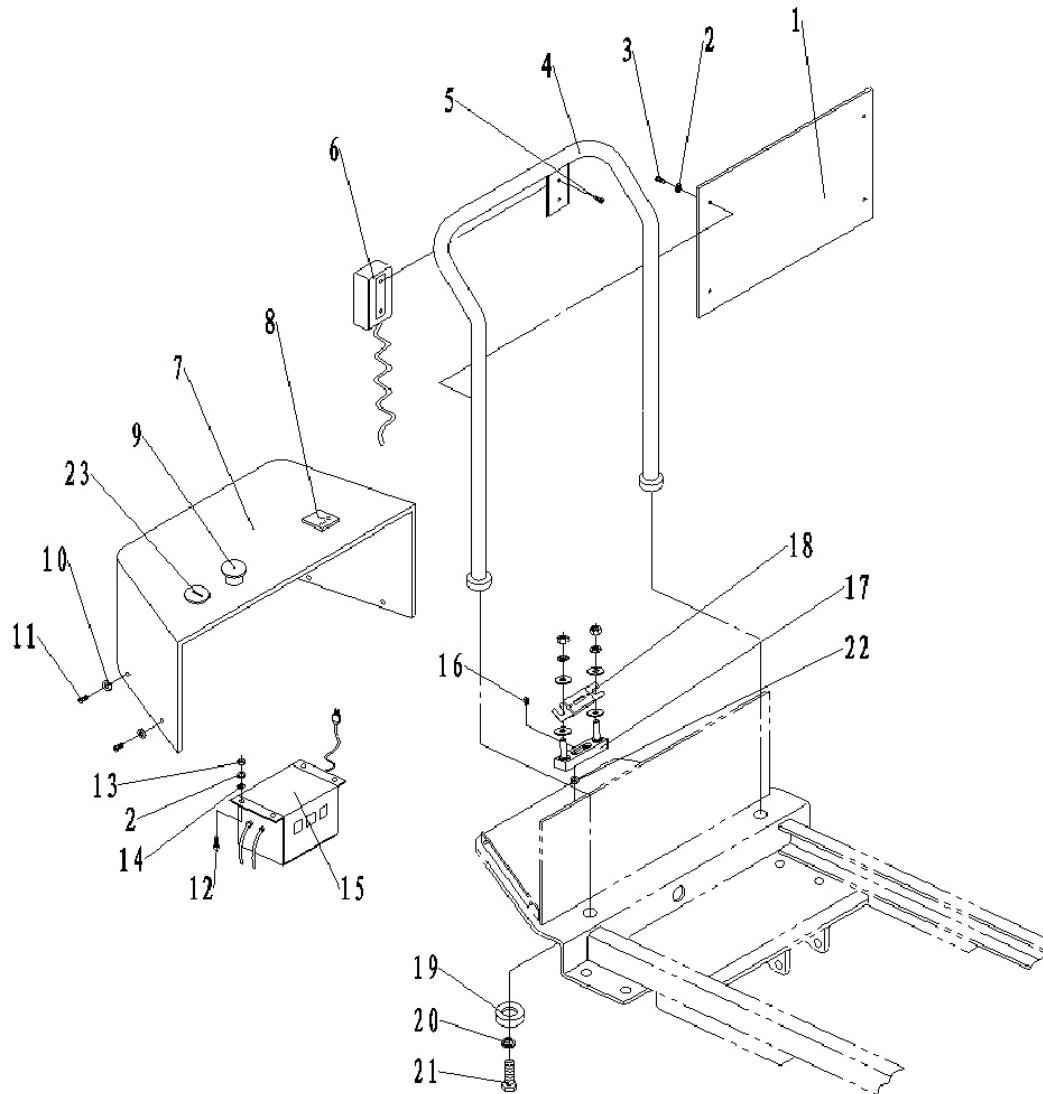
ANGULAR ± 1-1/2" SHEET 1 OF 7

BREAK ALL SHARP EDGES AND REMOVE ALL BURRS

A-273711

REV

273711



REPLACEMENT PARTS LIST

| ITEM | PART NO. | DESCRIPTION                       | QTY. |
|------|----------|-----------------------------------|------|
| 1    |          | DAMPER                            | 1    |
| 2    |          | FLAT WASHER                       | 1    |
| 3    |          | SCREW M6 X 16                     | 4    |
| 4    |          | HANDLE WELDMENT                   | 1    |
| 5    |          | SCREW M4 X 8                      | 2    |
| 6    |          | ETF 2-POSITION BUTTON ASSEMBLY    | 1    |
| 7    |          | ELECTRICAL COVER                  | 1    |
| 8    |          | VOLTMETER CP-C48 0~30V            | 1    |
| 9    |          | EMERGENCY STOP SWITCH CE4T-10R-01 | 1    |
| 10   |          | FLAT WASHER                       | 4    |
| 11   |          | SCREW M5 X 15                     | 4    |
| 12   |          | SCREW M6 X 15                     | 4    |
| 13   |          | HEX NUT M6                        | 4    |
| 14   |          | SPRING WASHER                     | 4    |
| 15   |          | CHARGER 24V/3A                    | 1    |
| 16   |          | SCREW M5 X 20                     | 2    |
| 17   |          | FUSE HOLDERS SYY                  | 1    |
| 18   |          | BOLTED FUSE 60A                   | 1    |
| 19   |          | SPACER                            | 2    |
| 20   |          | SPRING WASHER                     | 2    |
| 21   |          | SCREW M12 X 30                    | 2    |
| 22   |          | LOCK NUT M5                       | 2    |
| 23   |          | GENERAL KEY SWITCH LKS-101A       | 1    |

THIS DRAWING IN ALL PARTICULARS IS WESCO INDUSTRIAL PRODUCTS INC. PROPERTY. ALL RIGHTS OF DESIGN, INVENTION OR USE OF ARE RESERVED.

PRINT ISSUED

FEB-25-2015

WESCO MANUFACTURING  
ENGINEERING DEPARTMENT

APP  
ECN & DATE  
REV.

REVISIONS

WESCO INDUSTRIAL PRODUCTS INC.

NORTH WALES

PENNA. 19454

PART NAME

PSLT-1100

DRAWN: RS 02-25-15

POWERED SCISSORS LIFT TABLES

CHECKED:

TOLERANCE UNLESS OTHERWISE SPECIFIED

APP. ENGR.

FRACTION 3 PLACE DECIMAL 2 PLACE DECIMAL

SCALE:

± 1/64 ± .005 ± .01

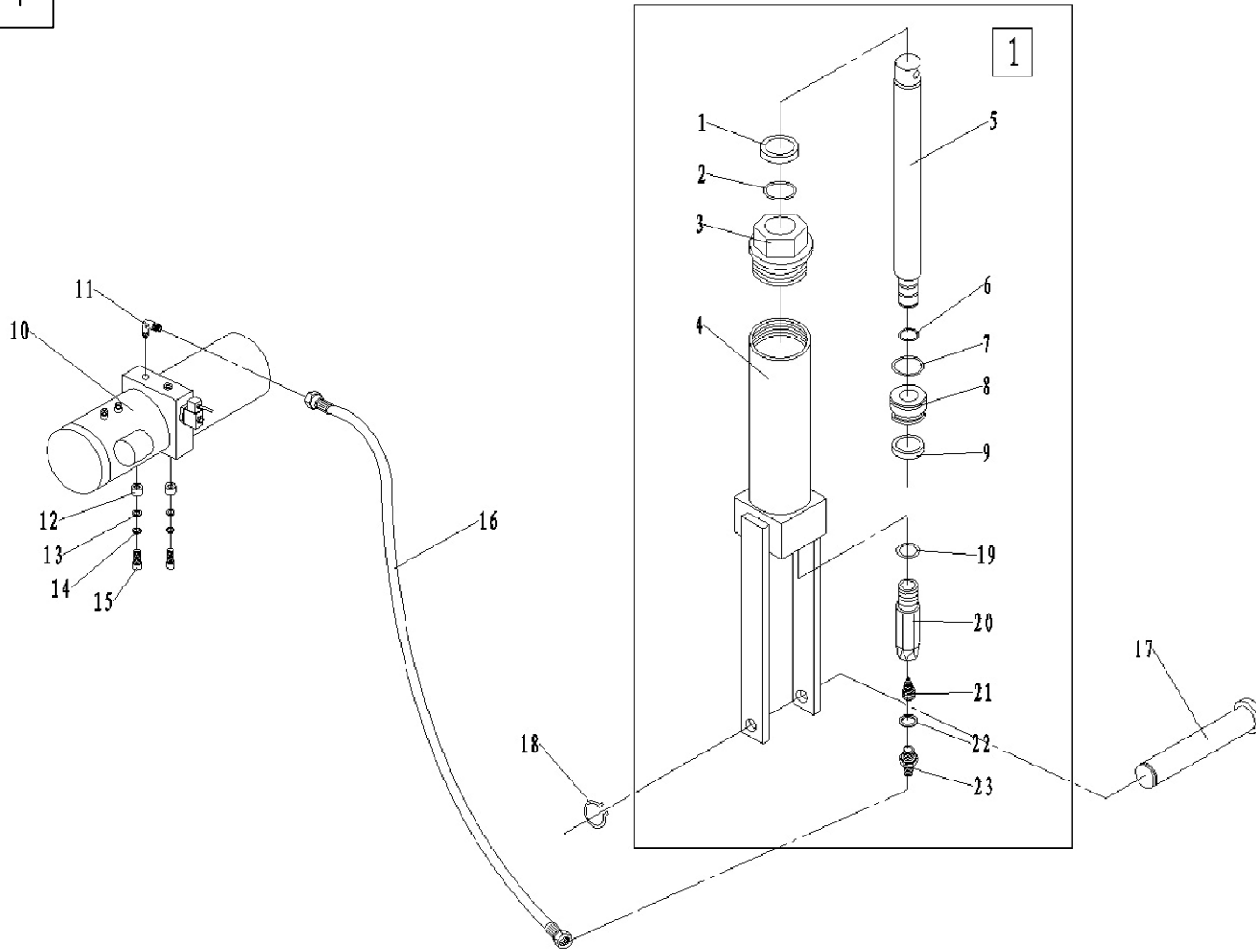
ANGULAR ± 1-1/2' SHEET 2 OF 7

BREAK ALL SHARP EDGES AND REMOVE ALL BURRS

A-273711

REV

273711



REPLACEMENT PARTS LIST

| ITEM | PART NO. | DESCRIPTION                    | QTY. |
|------|----------|--------------------------------|------|
| 1    |          | DUST RING 30 X 40 X 5          | 1    |
| 2    |          | O-RING 36 X 3.5                | 1    |
| 3    |          | CYLINDER COVER                 | 1    |
| 4    |          | CYLINDER WELDING               | 1    |
| 5    |          | PISTON ROD                     | 1    |
| 6    |          | ROUND WIRE SNAP RINGS FOR HOLE | 1    |
| 7    |          | O-RING 50 X 3.5                | 1    |
| 8    |          | PISTON                         | 1    |
| 9    |          | Y-TYPE SEALING RING FOR SHAFT  | 1    |
| 10   |          | PUMP STATION DC24V-800W        | 1    |
| 11   |          | RIGHT ANGLE ADJUSTABLE ADAPTER | 1    |
| 12   |          | WASHER                         | 2    |
| 13   |          | SPRING WASHER                  | 2    |
| 14   |          | FLAT WASHER                    | 2    |
| 15   |          | SCREW M10 X 30                 | 2    |
| 16   |          | HIGH PRESSURE HOSE             | 1    |
| 17   |          | CONNECTING SHAFT               | 1    |
| 18   |          | CIRCLIPS FOR SHAFT             | 2    |
| 19   |          | O-RING 31 X 3.5                | 1    |
| 20   |          | OIL-TAKING ADAPTER             | 1    |
| 21   |          | SAFETY VALVE ASSEMBLY          | 1    |
| 22   |          | WASHER ASSEMBLY                | 1    |
| 23   |          | HOSE JOINT                     | 1    |
| [1]  |          | CYLINDER ASSEMBLY              | 1    |

THIS DRAWING IN ALL PARTICULARS IS WESCO INDUSTRIAL PRODUCTS INC. PROPERTY. ALL RIGHTS OF DESIGN, INVENTION OR USE OF ARE RESERVED.

PRINT ISSUED

FEB-25-2015

WESCO MANUFACTURING  
ENGINEERING DEPARTMENT

APP  
ECN & DATE  
REV.

REVISIONS

WESCO INDUSTRIAL PRODUCTS INC.

NORTH WALES

PENNA. 19454

PART NAME

PSLT-1100

DRAWN: RS 02-25-15

POWERED SCISSORS LIFT TABLES

CHECKED:

TOLERANCE UNLESS OTHERWISE SPECIFIED

APP. ENGR.

FRACTION 3 PLACE DECIMAL 2 PLACE DECIMAL

SCALE:

± 1/64 ± .005 ± .01

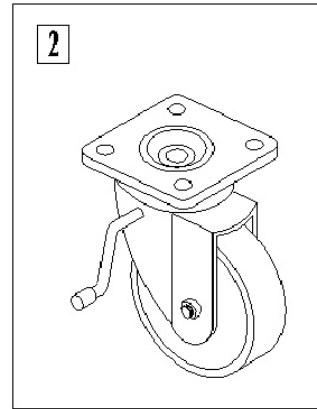
ANGULAR ± 1-1/2' SHEET 3 OF 7

BREAK ALL SHARP EDGES AND REMOVE ALL BURRS

A-273711

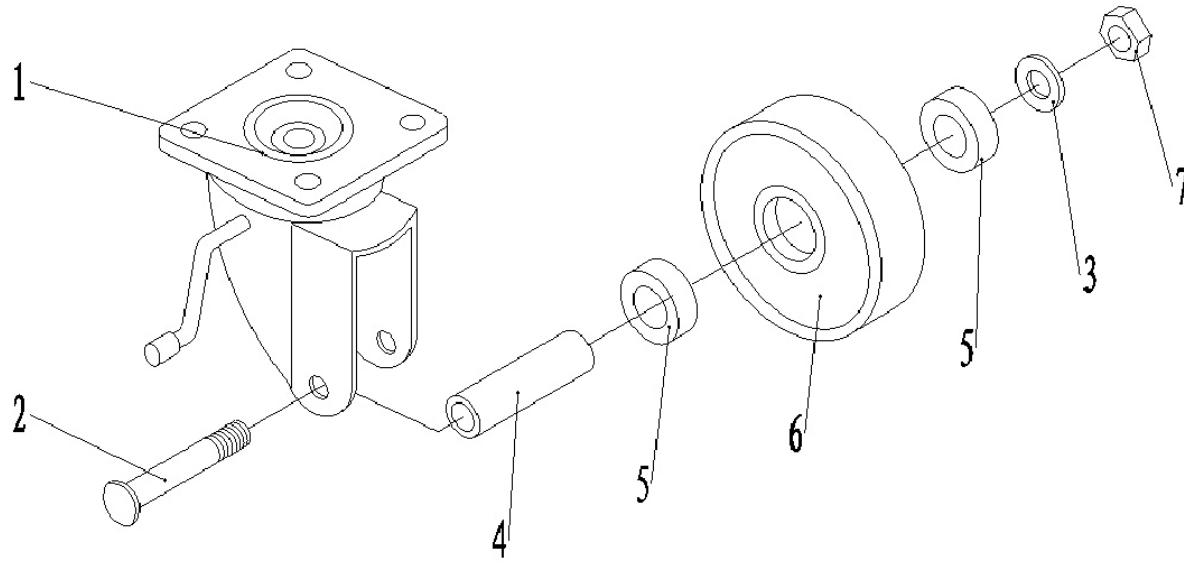
REV

273711



REPLACEMENT PARTS LIST

| ITEM | PART NO. | DESCRIPTION                     | QTY. |
|------|----------|---------------------------------|------|
| 1    |          | STEERING WHEEL FRAME W/ BRAKE   | 1    |
| 2    |          | AXLE                            | 1    |
| 3    |          | FLAT WASHER 16                  | 1    |
| 4    |          | BUSHING                         | 1    |
| 5    |          | BEARING 6202                    | 2    |
| 6    |          | WHEEL                           | 1    |
| 7    |          | LOCK NUT M10                    | 1    |
| [2]  |          | STEERING WHEEL (W/ BRAKE) ASS'Y | 1    |



THIS DRAWING IN ALL PARTICULARS IS WESCO INDUSTRIAL PRODUCTS INC. PROPERTY. ALL RIGHTS OF DESIGN, INVENTION OR USE OF ARE RESERVED.

PRINT ISSUED

FEB-25-2015

WESCO MANUFACTURING  
ENGINEERING DEPARTMENT

APP  
ECN & DATE  
REV.

REVISIONS

WESCO INDUSTRIAL PRODUCTS INC.

NORTH WALES

PENNA. 19454

PART NAME  
PSLT-1100  
POWERED SCISSORS LIFT TABLES

DRAWN: RS 02-25-15

CHECKED:

APP. ENGR.

SCALE:

| TOLERANCE UNLESS OTHERWISE SPECIFIED |                 |                 |
|--------------------------------------|-----------------|-----------------|
| FRACTION                             | 3 PLACE DECIMAL | 2 PLACE DECIMAL |
| ± 1/64                               | ± .005          | ± .01           |
| ANGULAR ± 1-1/2'                     | SHEET 4         | OF 7            |

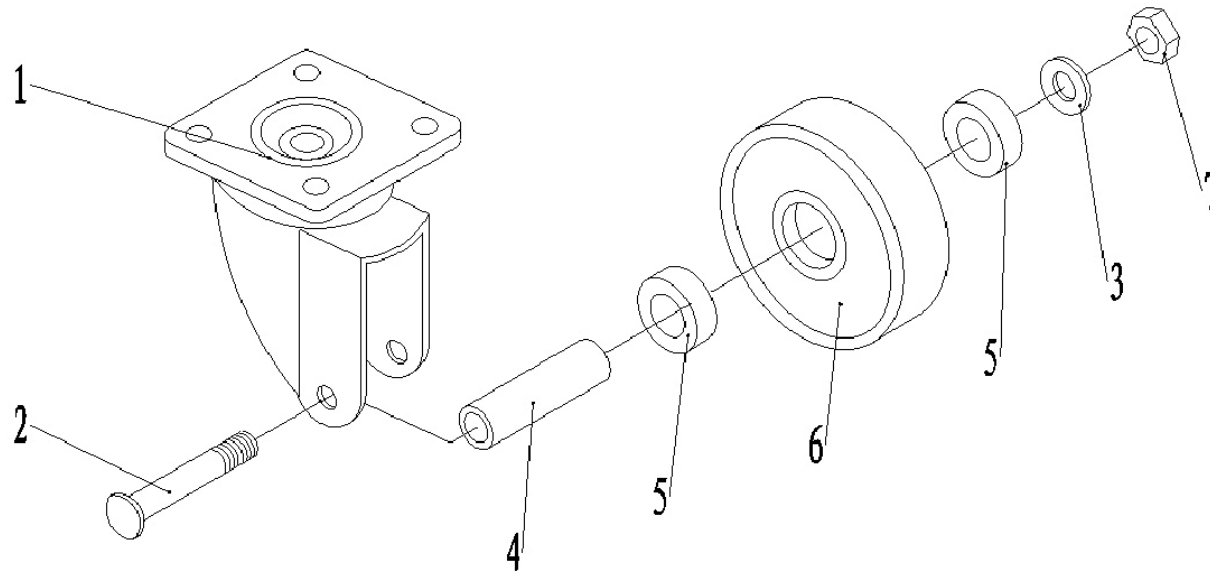
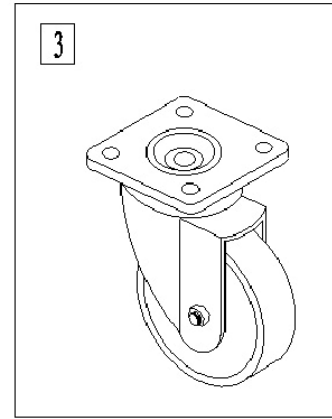
A-273711 REV

BREAK ALL SHARP EDGES AND REMOVE ALL BURRS

273711

REPLACEMENT PARTS LIST

| ITEM | PART NO. | DESCRIPTION                      | QTY. |
|------|----------|----------------------------------|------|
| 1    |          | STEERING WHEEL FRAME             | 1    |
| 2    |          | WHEEL AXLE                       | 1    |
| 3    |          | FLAT WASHER 16                   | 1    |
| 4    |          | BUSHING                          | 1    |
| 5    |          | BEARING 6202                     | 2    |
| 6    |          | WHEEL                            | 1    |
| 7    |          | LOCK NUT M10                     | 1    |
| [3]  |          | STEERING WHEEL (W/O BRAKE) ASS'Y | 1    |



THIS DRAWING IN ALL PARTICULARS IS WESCO INDUSTRIAL PRODUCTS INC. PROPERTY. ALL RIGHTS OF DESIGN, INVENTION OR USE OF ARE RESERVED.

PRINT ISSUED

FEB-25-2015

WESCO MANUFACTURING  
ENGINEERING DEPARTMENT

APP  
ECN & DATE  
REV.

REVISIONS

WESCO INDUSTRIAL PRODUCTS INC.

NORTH WALES

PENNA. 19454

PART NAME

PSLT-1100

DRAWN: RS 02-25-15

POWERED SCISSORS LIFT TABLES

CHECKED:

TOLERANCE UNLESS OTHERWISE SPECIFIED

APP. ENGR.

FRACTION 3 PLACE DECIMAL 2 PLACE DECIMAL

SCALE:

± 1/64 ± .005 ± .01

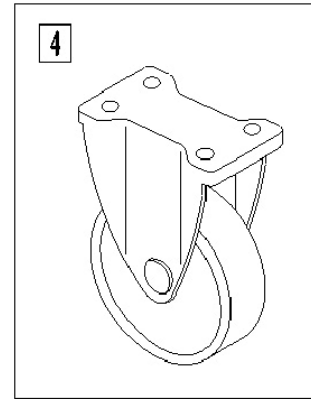
ANGULAR ± 1-1/2' SHEET 5 OF 7

BREAK ALL SHARP EDGES AND REMOVE ALL BURRS

A-273711

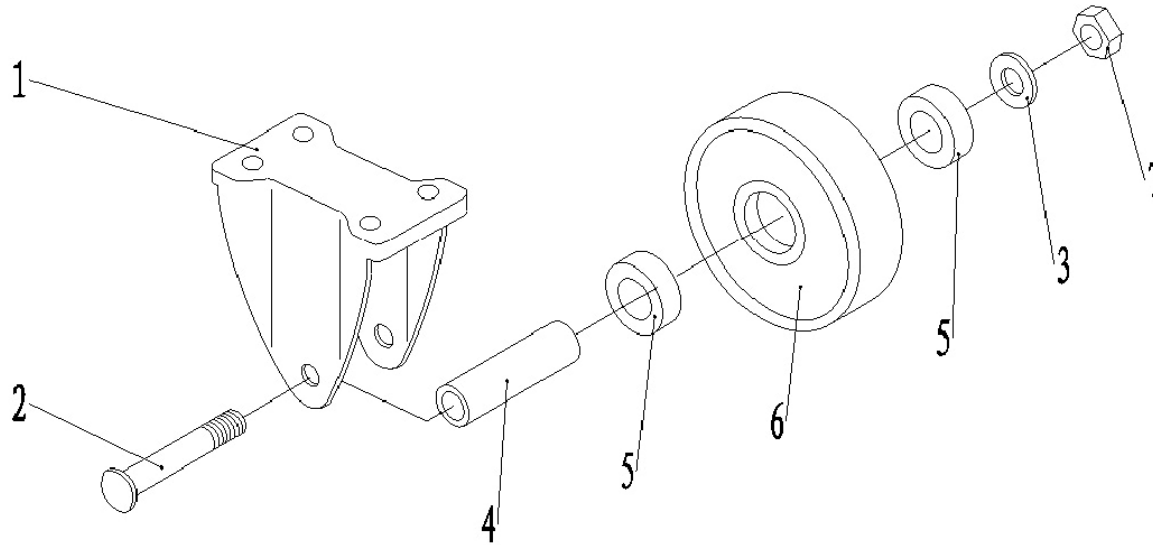
REV

273711



REPLACEMENT PARTS LIST

| ITEM | PART NO. | DESCRIPTION             | QTY. |
|------|----------|-------------------------|------|
| 1    |          | DIRECTIONAL WHEEL FRAME | 1    |
| 2    |          | WHEEL AXLE              | 1    |
| 3    |          | FLAT WASHER 16          | 1    |
| 4    |          | BUSHING                 | 1    |
| 5    |          | BEARING 6202            | 2    |
| 6    |          | WHEEL                   | 1    |
| 7    |          | LOCK NUT M10            | 1    |
| [4]  |          | FIXED WHEEL ASSEMBLY    | 2    |



THIS DRAWING IN ALL PARTICULARS IS WESCO INDUSTRIAL PRODUCTS INC. PROPERTY. ALL RIGHTS OF DESIGN, INVENTION OR USE OF ARE RESERVED.

PRINT ISSUED

FEB-25-2015

WESCO MANUFACTURING  
ENGINEERING DEPARTMENT

APP  
ECN & DATE  
REV.

REVISIONS

WESCO INDUSTRIAL PRODUCTS INC.

NORTH WALES

PENNA. 19454

PART NAME

PSLT-1100

DRAWN: RS 02-25-15

POWERED SCISSORS LIFT TABLES

CHECKED:

TOLERANCE UNLESS OTHERWISE SPECIFIED

APP. ENGR.

FRACTION 3 PLACE DECIMAL 2 PLACE DECIMAL

SCALE:

$\pm 1/64$   $\pm .005$   $\pm .01$

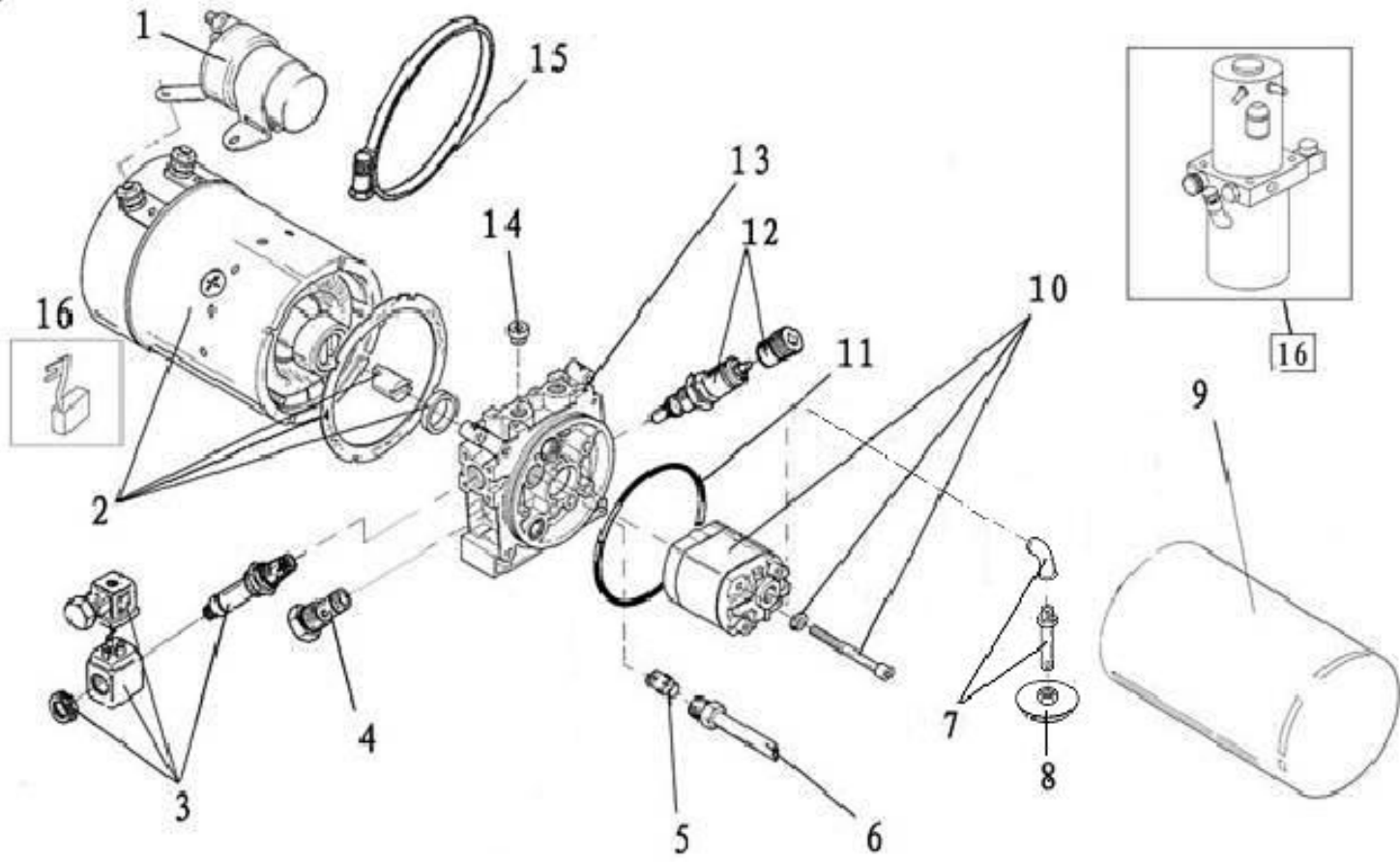
ANGULAR  $\pm 1-1/2'$  SHEET 6 OF 7

BREAK ALL SHARP EDGES AND REMOVE ALL BURRS

A-273711

REV

273711



REPLACEMENT PARTS LIST

| ITEM | PART NO. | DESCRIPTION           | QTY. |
|------|----------|-----------------------|------|
| 1    |          | STARTER RELAY         | 1    |
| 2    |          | MOTOR                 | 1    |
| 3    |          | SOLENOID VALVE        | 1    |
| 4    |          | CHECK VALVE           | 1    |
| 5    |          | FLOW CONTROL VALVE    | 1    |
| 6    |          | OIL RETURNING PIPE    | 1    |
| 7    |          | OIL SUCTION PIPE      | 1    |
| 8    |          | STRAINER              | 1    |
| 9    |          | OIL TANK              | 1    |
| 10   |          | GEAR PUMP             | 1    |
| 11   |          | O-RING                | 1    |
| 12   |          | OVERFLOW VALVE        | 1    |
| 13   |          | VALVE BODY            | 1    |
| 14   |          | PLUG                  | 1    |
| 15   |          | HOOP                  | 1    |
| 16   |          | MOTOR CARBON BRUSH    | 1    |
| [16] |          | PUMP STATION 24V-800W | 1    |

THIS DRAWING IN ALL PARTICULARS IS WESCO INDUSTRIAL PRODUCTS INC. PROPERTY. ALL RIGHTS OF DESIGN, INVENTION OR USE OF ARE RESERVED.

PRINT ISSUED

FEB-25-2015

WESCO MANUFACTURING  
ENGINEERING DEPARTMENT

APP  
ECN & DATE  
REV.

REVISIONS

WESCO INDUSTRIAL PRODUCTS INC.  
NORTH WALES PENNA. 19454

PART NAME  
PSLT-1100  
POWERED SCISSORS LIFT TABLES

DRAWN: RS 02-25-15

CHECKED:

APP. ENGR.

SCALE:

TOLERANCE UNLESS OTHERWISE SPECIFIED

| FRACTION | 3 PLACE DECIMAL | 2 PLACE DECIMAL |
|----------|-----------------|-----------------|
| ± 1/64   | ± .005          | ± .01           |

ANGULAR ± 1-1/2° SHEET 7 OF 7

BREAK ALL SHARP EDGES AND REMOVE ALL BURRS

A-273711 REV