

REPLACEMENT PARTS LIST
56/60" Stacker

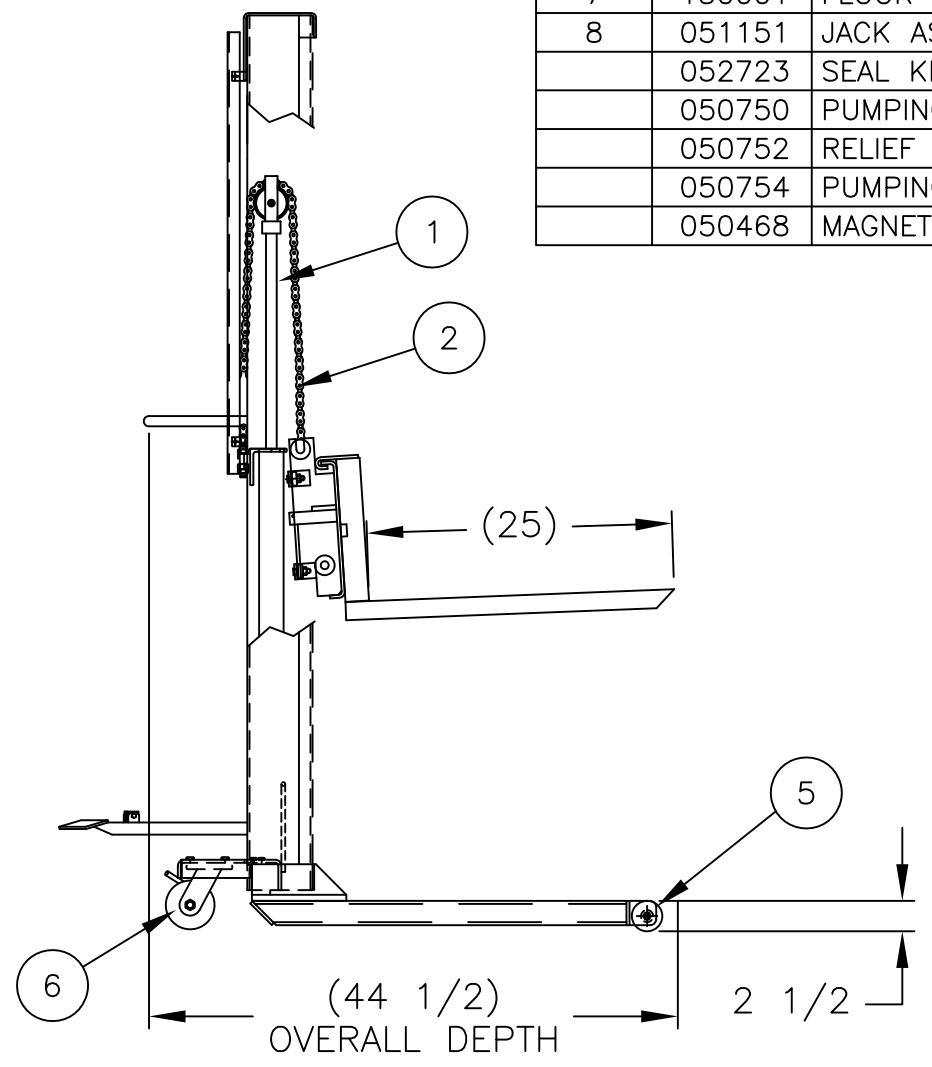
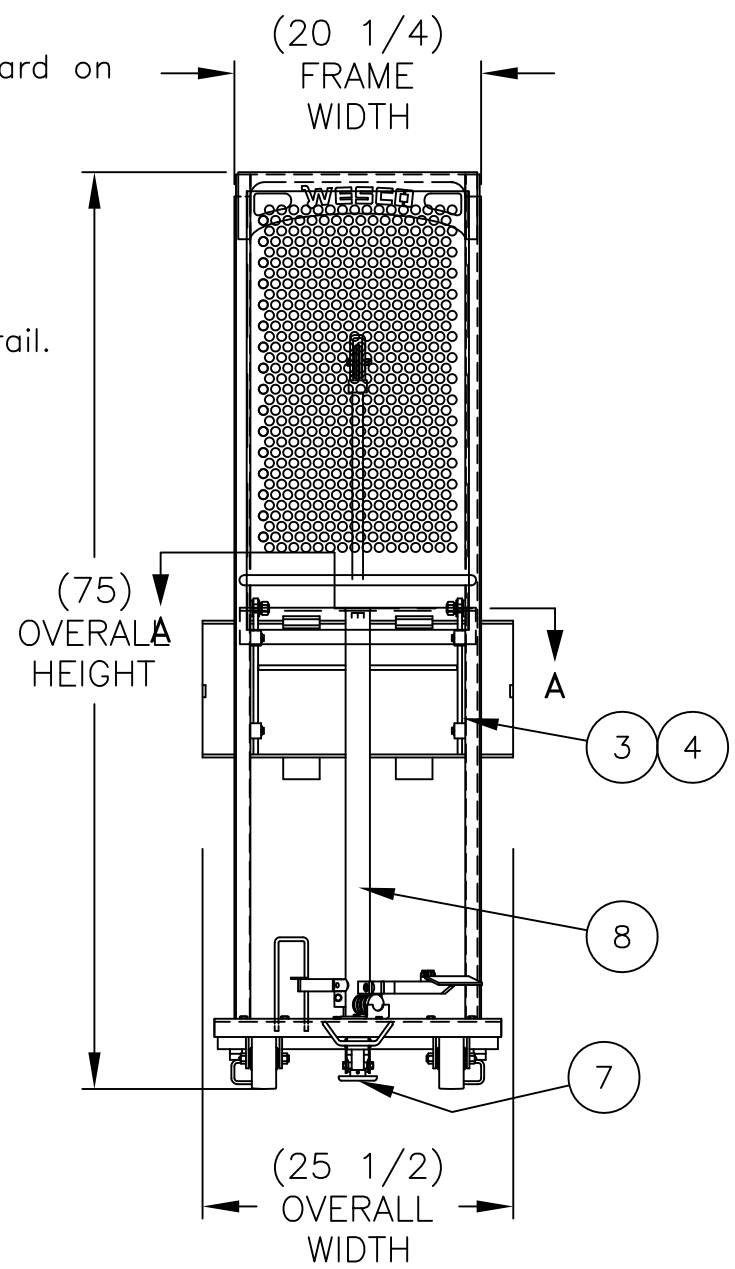
STANDARD/ECONOMY LINE FORK MODEL HYDRAULIC STACKERS

Features:

- Floor locks, safety screen and foot guard are standard on all models
- Forks touch the floor on all fork models.
- Front phenolic wheels are 2.5" diameter.
- Rear phenolic swivel casters are 4" diameter.
- Hydraulic jack manufactured by WESCO in U.S.A.
- Frame and lift heights vary among models.
- "S" tandard line features one piece platform guide rail.
- "E" conomy line offers an economical price value.

STANDARD FORK MODELS

260035	SFL-56-25
Fork:	1" Thick x 3" Wide x 25" Long
Lift Height:	56"
Load Center:	15"
Base Leg Span:	15" Inside 21" Outside
Capacity:	1,000 lbs
Weight:	265 lbs
Boxed:	No



ITEM	PART NO.	DESCRIPTION	QTY.
1	260143	CHAIN ROLLER ASS'Y	1
2	050770	LIFT CHAIN ASS'Y (56/60")	1
3	108519	STABILIZER ROLLER	4
	051617	STABILIZER ROLLER KIT	
4	108517	PLATFORM ROLLER	4
5	150196	WHEEL: 2-1/2x1-1/8x5/16	2
6	054265	CASTER: SWIVEL 4 X 2 PHENOLIC	2
7	150001	FLOOR LOCK: NEW STYLE	1
8	051151	JACK ASS'Y (56/60")	1
	052723	SEAL KIT	1
	050750	PUMPING PEDAL ASS'Y (PL/SPL)	1
	050752	RELIEF PEDAL ASS'Y (PL/STCKER)	1
	050754	PUMPING RELEASE VALVE KIT	1
	050468	MAGNET SPACER ASS'Y	1

THIS DRAWING IN ALL PARTICULARS IS WESCO INDUSTRIAL PRODUCTS INC. PROPERTY. ALL RIGHTS OF DESIGN, INVENTION OR USE OF ARE RESERVED.

PRINT ISSUED

FEB 12, 2021

WESCO MANUFACTURING
ENGINEERING DEPARTMENT

WESCO INDUSTRIAL PRODUCTS INC.
NORTH WALES PENNA. 19454

PART NAME: SFL-56-25-LP

DRAWN: DR 02-12-21

CHECKED:

APP. ENGR.

SCALE: 1" = 16"

B-260035-LP

TOLERANCE UNLESS OTHERWISE SPECIFIED

FRACTION	3 PLACE DECIMAL	2 PLACE DECIMAL
± 1/64	± .005	± .01

ANGULAR ± 1-1/2' SHEET 1 OF 1

BREAK ALL SHARP EDGES AND REMOVE ALL BURRS

APP

ECN & DATE

REVISIONS

REV.