

REPLACEMENT PARTS			
ITEM	PART NO.	DESCRIPTION	QTY.
1	051991	CHAIN TIGHTENER W/GRIP	1
2	270411	KIT: TIGHTENER CLAW	1
3	054027	SADDLE ASSEMBLY	1
4	270403	KIT: REPLACEMENT GEAR	1
5	053417	CHAIN (36")	1
6	051892	BEARING BLOCK WELDMNT	1

POWERED DRUM ROTATOR

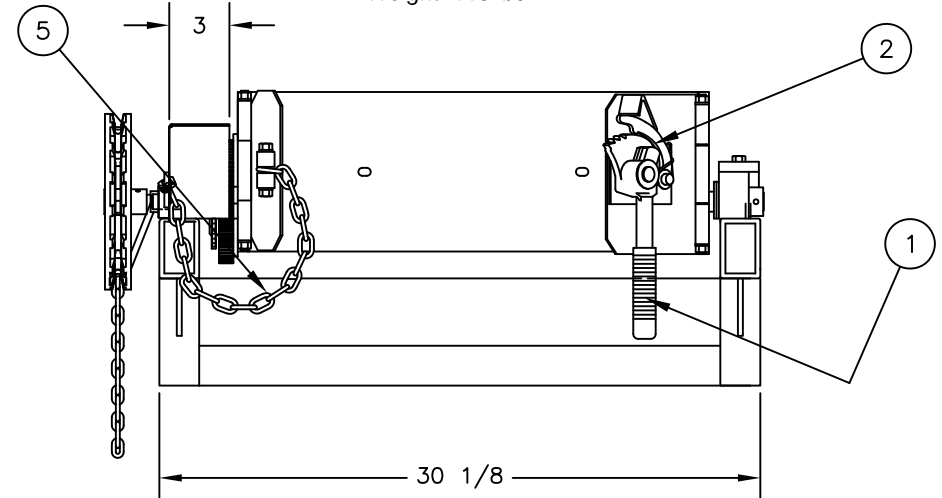
- Attaches to WESCO 1K fork stacker models
- Allows for controlled dispensing of drums

OPTIONS

270240 DGF-30A for use with 30 gallon drums.
 270402 FBA for use with fiber drums.

SPECIFICATIONS

Model: DRA-55-1K
 Capacity: 800 lbs (Full Drum) 500 lbs (Half Drum)
 Height: 15"
 Width: 35"
 Depth: 30 1/2"
 Weight: 118 lbs



THIS DRAWING IN ALL PARTICULARS IS WESCO MFG. CO. PROPERTY. ALL RIGHTS OF DESIGN, INVENTION OR USE OF ARE RESERVED.

PRINT ISSUED

DEC. 24, 2019

WESCO MANUFACTURING
 ENGINEERING DEPARTMENT

J L 12-24-19 REDRAWN 7403 A	APP. REVISIONS ECH & DATE REV.	WESCO MANUFACTURING CO. LANSDALE PENNA. 19446	
		PART NAME DGL-55-1K-STKR	DRAWN: JL 12-24-19
		TOLERANCE UNLESS OTHERWISE SPECIFIED	
		FRACTION 3 PLACE DECIMAL 2 PLACE DECIMAL ± 1/64 ± .005 ± .01	SCALE: 1" = 1"
ANGULAR ± 1-1/2° SHEET 1 OF 1 BREAK ALL SHARP EDGES AND REMOVE ALL BURRS		APP. ENGR.	C-240144 REV A