

LOOP CHAIN AROUND DRUM & FEED THROUGH RACHET FINGERS, ENGAGE RACHET HANDLES TO TIGHTEN, TO RELEASE, PULL "UP" ON SPRING ARM

SPECIFICATIONS	
WEIGHT:	591.0 lbs.
LIFT HEIGHT:	20"
RISE/STROKE:	?1-1/4"
CASTERS:	
	5" x 2" PHENOLIC
55 GALLON (FULL DRUM)	
CAPACITY:	800 lbs.
UPRIGHT MAX HEIGHT:	36-3/4"
ROTATED MAX HEIGHT:	43-3/8"
55 GALLON (HALF DRUM)	
CAPACITY:	500 lbs.
UPRIGHT MAX HEIGHT:	36-3/4"
ROTATED MAX HEIGHT:	43-3/8"

DIMENSIONAL INFORMATION:	
MAXIMUM UNIT RAISED HEIGHT:	77-1/2"
MAXIMUM DRUM PIVOT POINT:	55"
MINIMUM DRUM PIVOT POINT:	16"
OVERALL WIDTH:	47-7/8"
OVERALL DEPTH:	52"
OVERALL HEIGHT:	66"
LOCKS DRUM IN VERTICAL OR HORIZONTAL POSITIONS	

- NOTES:
1. ENGAGE FLOOR LOCK BEFORE ROTATING DRUM
 2. TRANSPORT DRUMS IN LOWERED POSITION ONLY
 3. STRADDLE PALLETS UP TO 41" WIDE X 6-1/2" TALL
 4. MINIMUM TURNING RADIUS = 48"

REPLACEMENT PARTS LIST

ITEM	PART NO.	DESCRIPTION	QTY.
1	055085	DRUM GRAB ASSEMBLY	1
2	054923	EXTENDED GUARD ASSEMBLY	1
3	051169	HYDRAULIC JACK ASSEMBLY	1
4	055596	OUTRIGGER WELDMENT-RH	1
5	055597	OUTRIGGER WELDMENT-LH	1
6	055595	CARRIAGE WELDMENT	1
7	108819	SHOULDER BOLT:1/2-13 X 4-1/4" LG.	2
8	108200	FLAT WASHER:1/2"SAE, PLTD	4
9	108177	NUT LOCK (PLTD)1/2-13 w/NYLOCK	2
10	108503	LIFT CHAIN	2.66 FT
11	051618	CHAIN ROLLER GUARD	1
12	054267	SWIVEL CASTER ASSEMBLY	2
13	108175	HEX NUT (5/16-18)	8
14	100170	LOCKWASHER (5/16)	8
15	100069	FLAT WASHER (5/16 SAE)	8
16	108149	HEX HD CAP SCR (5/16-18 X 1")	8
17	053769	WHEEL ASSEMBLY	2
18	108174	LOCK HEX NUT (1/2-13 2 WAY REV)	4
-	-	-NOT USED-	-
20	108161	HEX HD CAP SCR (1/2-13 X 3 1/2)	4
-	-	-NOT USED-	-
22	053092	CARRIAGE ROLLER	6
23	100457	RING: RETAINING 1/2", HVY. EXT. BL PHOS	6
24	108941	FLAT WASHER (1 OD X 1/2 ID)	12
25	100642	HEX NUT (3/8-16)	2
26	105080	SOC HD CAP SCR (3/8-16 X 1-1/4)	2
27	055006	CHAIN ANCHOR ADAPTER	1
28	108502	CONNECTING LINK	2
29	492038	FLOOR LOCK ASSEMBLY	1
30	108226	HANDGRIP	3
31	052723	HYDRAULIC PUMP SEAL KIT	1
-	-	-NOT USED-	-
33	108967	CHAIN ROLLER	1
34	054061	WELDMENT: SADDLE DL-55	1
35	270411	KIT: TIGHTENER CLAW	1
35	150321	CLAW	1
37	053741	PLUNGER: DL-55/ML-55	1
38	108470	SPRING: COMPRESSION	1
39	108599	PIN: SPRING 3/16 DIA. X 3"	1
40	051991	ASS'Y: RACHET HANDLE	1
41	054071	RACHET: CASTING	1
42	101242	HANDGRIP, BLACK	1
43	053417	CHAIN: SADDLE (36")	1
44	054063	HANDLE: TURNOVER	1
45	151219	PIN: HAIRPIN STYLE .148 X 4"	1
-	-	-NOT USED-	-
47	100169	WASHER: LOCK (PLTD) 1/4"	4

WESCO INDUSTRIAL PRODUCTS, LLC
NORTH WALES PENNA. 19454

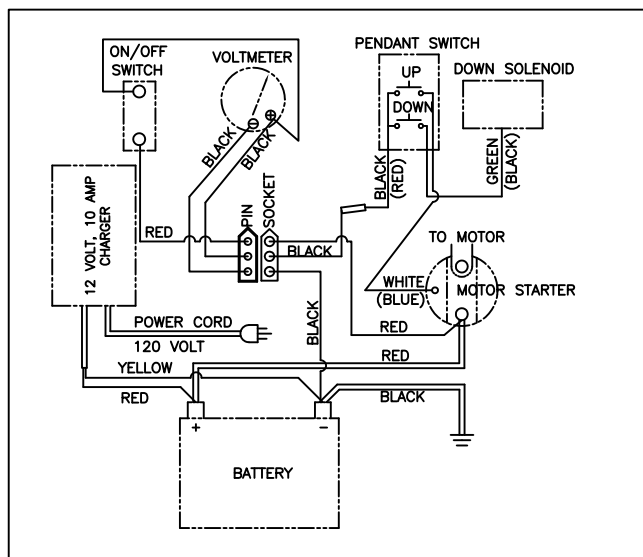
PART NAME	DM-800-MDT-PL	DRAWN: JL	11-18-19
DRUM MASTER w/MANUAL DRUM TILT		CHECKED:	
TOLERANCE UNLESS OTHERWISE SPECIFIED			
FRACTION	3 PLACE DECIMAL	2 PLACE DECIMAL	SCALE: 1/8"=1"
± 1/84	± .005	± .01	
ANGULAR ± 1-1/2°	SHEET 1 OF 2		240129
BREAK ALL SHARP EDGES AND REMOVE ALL BURRS			

REPLACEMENT PARTS LIST

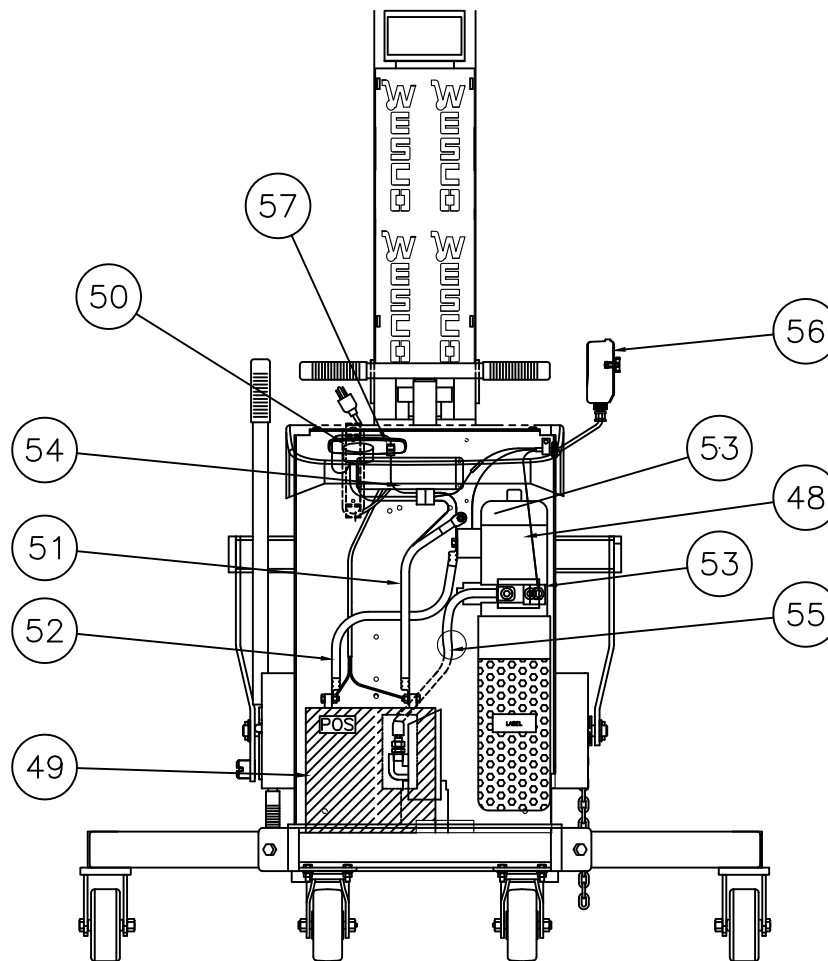
ITEM	PART NO.	DESCRIPTION	QTY.
48	109101	PUMP: HYD., 12V , VERTICAL	1
49	109102	BATTERY	1
50	109104	VOLTMETER	1
51	052782	BATTERY CABLE NEGATIVE	1
52	052780	BATTERY CABLE POSITIVE	1

REPLACEMENT PARTS LIST

ITEM	PART NO.	DESCRIPTION	QTY.
53	109117	SOLENOID	2
54	260169	BATTERY CHARGER	1
55	125824	HYDRAULIC HOSE	1
56	052726	REMOTE CONTROL ASSEMBLY	1
57	109325	POWER SWITCH	1



WIRING DIAGRAM



POWERED 5TH WHEEL & COVER REMOVED FOR CLARITY
(1.5 SCALE)

WESCO INDUSTRIAL PRODUCTS, LLC
NORTH WALES PENNA. 19454

PART NAME	DM-800-MDT-PL	DRAWN: JL	11-18-19
	DRUM MASTER w/MANUAL DRUM TILT	CHECKED:	
TOLERANCE UNLESS OTHERWISE SPECIFIED		APP. ENGR.	
FRACTION	3 PLACE DECIMAL	2 PLACE DECIMAL	SCALE: 1/8" = 1"
± 1/84	± .005	± .01	
ANGULAR ± 1-1/2°	SHEET 2 OF 2		
BREAK ALL SHARP EDGES AND REMOVE ALL BURRS			240129 REV A