

240102

REPLACEMENT PARTS LIST

1	051792	ARM SUPPORT WELDMENT	1
2	051798	PIVOT ARM WELDMENT	1
*	053431	HARDWARE: BAGGED	1
	108890	CLEVIS PIN	1
*	108870	BOX: SDL-55/85	1

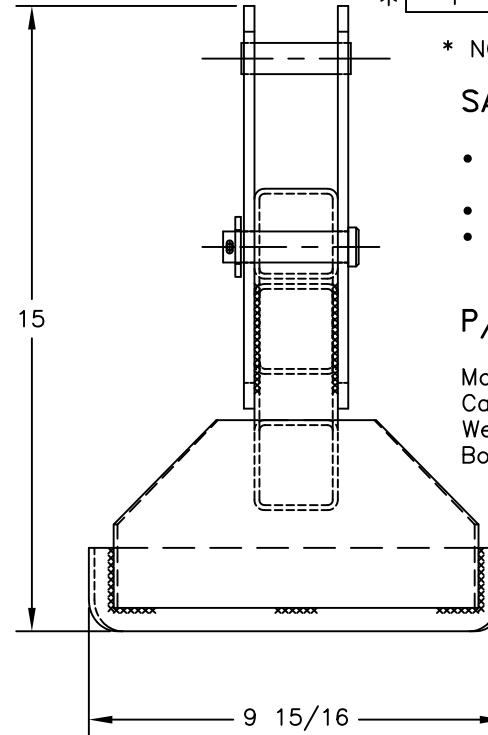
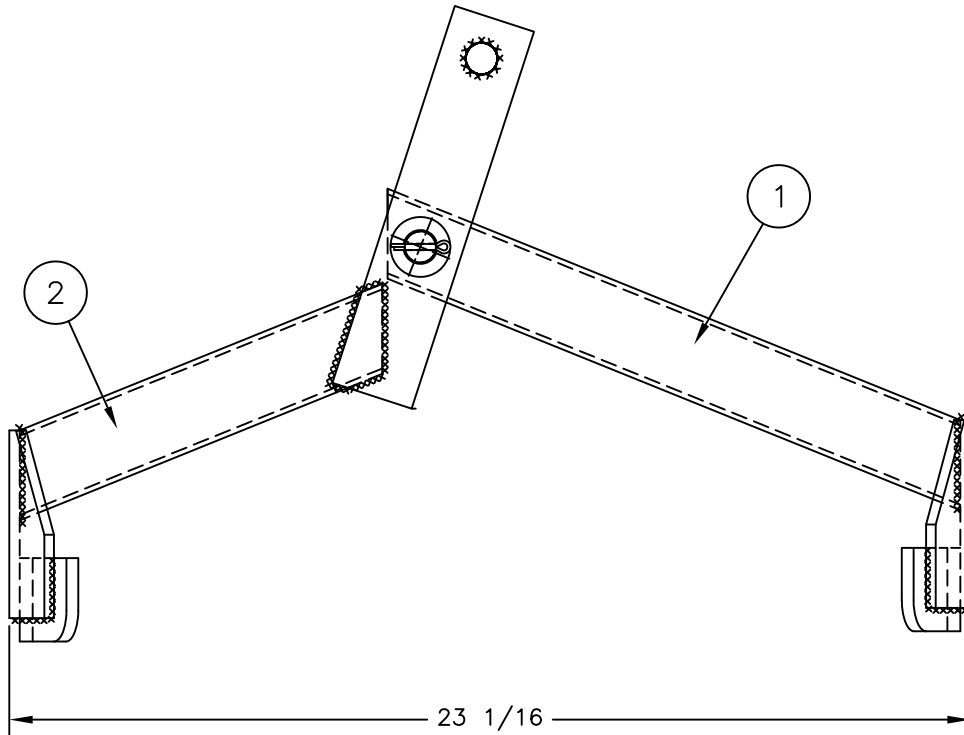
* NOT SHOWN

SALVAGE DRUM LIFTERS

- Convenient for fast and gentle loading of steel drums into overpacks.
- Ships boxed via UPS.
- For use with closed head steel drums.

P/N 240102

Model **SDL-85**
 Capacity 1,000 lbs
 Weight 18 lbs
 Boxed YES



THIS DRAWING IN ALL PARTICULARS IS WESCO INDUSTRIAL PRODUCTS INC. PROPERTY. ALL RIGHTS OF DESIGN, INVENTION OR USE OF ARE RESERVED.

PRINT ISSUED

DEC 29, 2006

WESCO MANUFACTURING
ENGINEERING DEPARTMENT

R	W	S	APP
12-04-12			
C	UPDATED		
REV.	ENGR & DATE	APP	REVISIONS

WESCO INDUSTRIAL PRODUCTS INC.
 NORTH WALES PENNA. 19454

PART NAME		
SDL-85		
TOLERANCE UNLESS OTHERWISE SPECIFIED		
FRACTION	3 PLACE DECIMAL	2 PLACE DECIMAL
± 1/64	± .005	± .01
ANGULAR ± 1-1/2°	SHEET 1 OF 1	
BREAK ALL SHARP EDGES AND REMOVE ALL BURRS		

DRAWN:	CY 2-12-91
CHECKED:	DS 2-18-91
APP. ENGR.	
SCALE:	1:3
B-240102	REV C