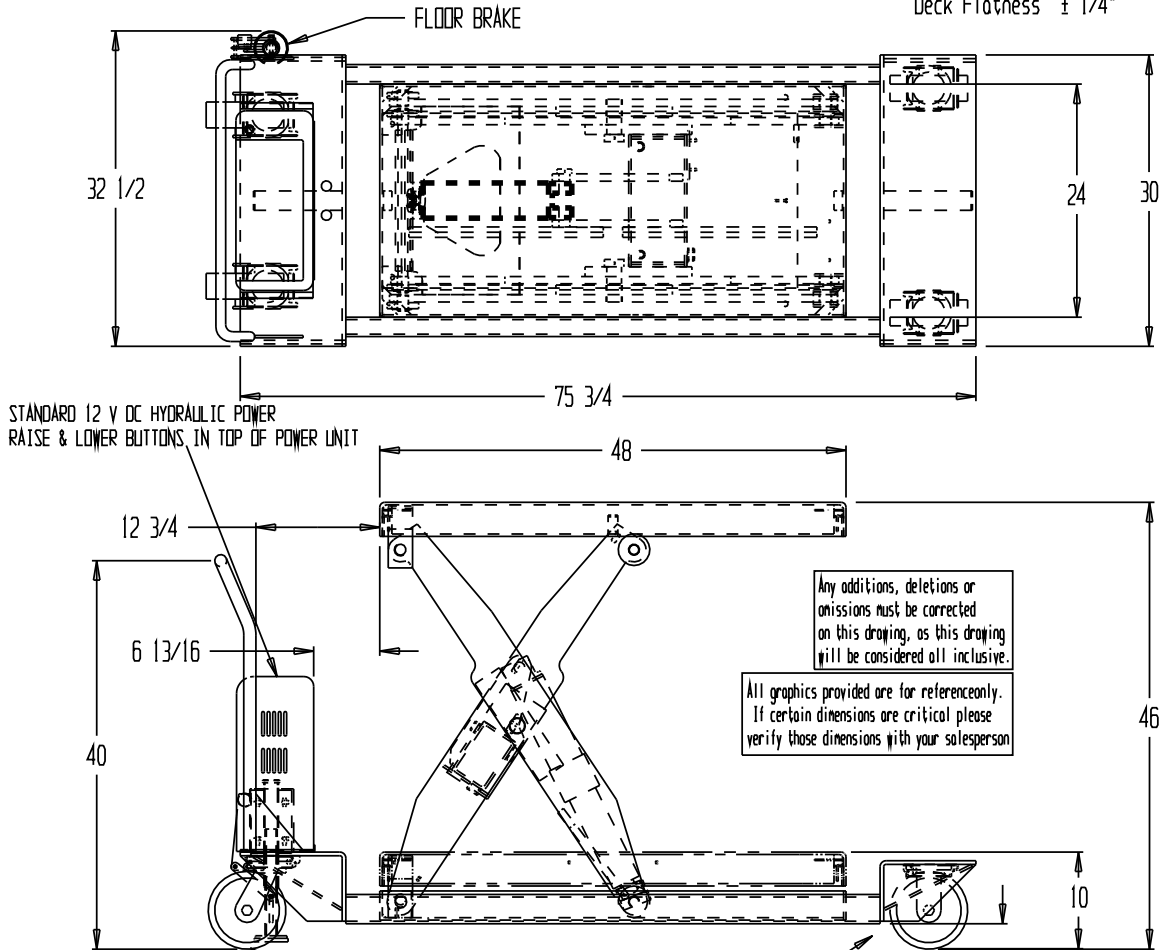


PORTABLE SCISSOR TABLE, PST-2448-2-46

Deck tolerances +/- 1/2"
 Table height tolerances +/- 1/2"
 Deck Flatness ± 1/4"



STANDARD 12 V DC HYDRAULIC POWER
 RAISE & LOWER BUTTONS IN TOP OF POWER UNIT

Any additions, deletions or omissions must be corrected on this drawing, as this drawing will be considered all inclusive.

All graphics provided are for reference only. If certain dimensions are critical please verify those dimensions with your salesperson

STANDARD FEATURES

- MODEL NUMBER: PST-2448-2-46
- CAPACITY: 2,000 LBS.
- PLATFORM WIDTH: 24"
- PLATFORM LENGTH: 48"
- PLATFORM LOWERED HEIGHT: 10"
- PLATFORM RAISED HEIGHT: 46"
- OVERALL WIDTH: 32 1/2"
- OVERALL LENGTH: 75 3/4"
- GROUND CLEARANCE: 2 5/8"
- CASTERS: TWO 8 X 2 GFN SWIVEL
TWO 8 X 2 GFN RIGID

PLEASE CIRCLE SPECIFICATIONS:

POWER	<input type="checkbox"/> AC	<input checked="" type="checkbox"/> DC (12V)	<input type="checkbox"/> AIR/OIL	
MOTOR VOLTAGE	<input type="checkbox"/> 115	<input type="checkbox"/> 208	<input type="checkbox"/> 230	<input type="checkbox"/> 460
DEDICATED CIRCUIT REQUIRED				
MOTOR PHASE	<input type="checkbox"/> SINGLE	<input type="checkbox"/> THREE		
CONTROL	<input type="checkbox"/> HAND	<input checked="" type="checkbox"/> FOOT		
BATTERY CHRG.	<input type="checkbox"/> REMOTE	<input checked="" type="checkbox"/> ON-BOARD		
*CHRG. INDICATOR	<input type="checkbox"/> YES	<input checked="" type="checkbox"/> NO		

I, THE UNDERSIGNED, AGREE THAT THE PRODUCT AS REPRESENTED SATISFIES DESIGN & DIMENSION REQUIREMENTS. I ALSO ACKNOWLEDGE MY DUTY TO CONFIRM PRODUCT & INSTALLATION COMPLIANCE WITH ALL APPLICABLE FEDERAL, STATE AND LOCAL REGULATIONS & STANDARDS.
ALL SPECIAL UNITS ARE NON-RETURNABLE
 As drawn As marked
 Signed: _____ Date: _____
 LEAD TIME WILL START UPON RECEIPT OF SIGNED APPROVAL DRAWING

SPECIAL FEATURES

NONE

DISTRIBUTOR'S NAME: VESTIL MFG		P.O.#: -
DRAWN BY: _____		DATE: -
REFERENCE: -		SCALE: 1/16
QUOTED LEADTIME: -		QUOTE #: -
		SALES: -
		DRWG./FILE NAME: PST-2448-2-46