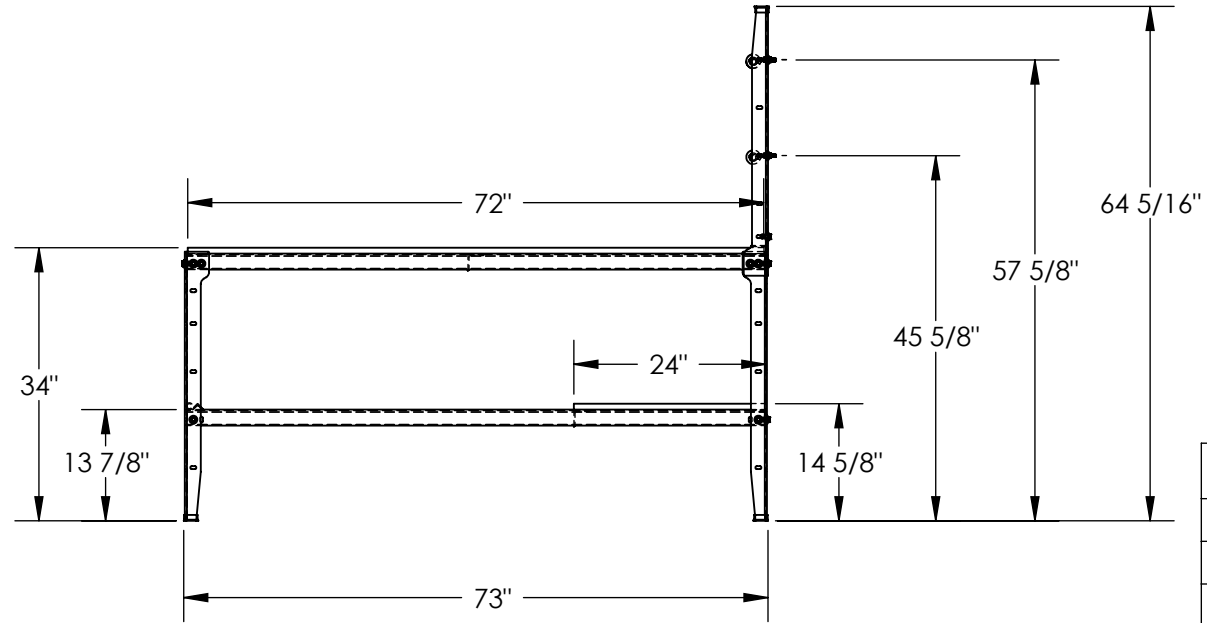
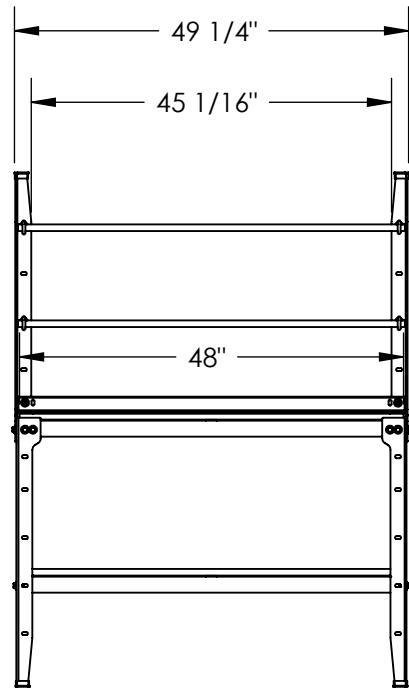


MULTI-PURPOSE PACKAGING BENCH - MPPB-4794

APPROX WEIGHT: 181.22 lbs.
 DOES NOT INCLUDE WEIGHT OF POWER OR PACKAGING!!!

*** ANY ADDITIONS, DELETIONS, OR OMISSIONS MUST BE CORRECTED ON THIS DRAWING AS THIS DRAWING WILL BE CONSIDERED ALL INCLUSIVE ***

ALL GRAPHICS PROVIDED ARE FOR REFERENCE ONLY. IF CERTAIN DIMENSIONS ARE CRITICAL PLEASE VERIFY THOSE DIMENSIONS WITH YOUR SALESPERSON



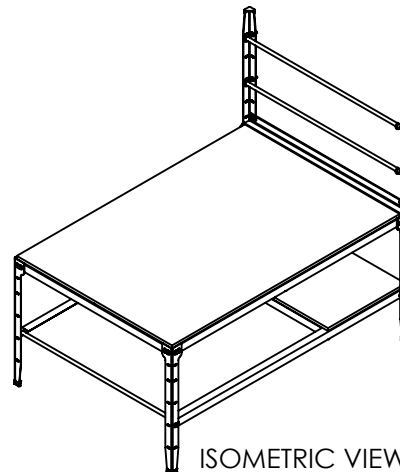
FOR INTERNAL USE ONLY PROJECT SIGN OFF	
SALES	
ENG.	
FAB.	
POWER	

STANDARD FEATURES

- MODEL NUMBER: MPPB-4794
- OVERALL WIDTH: 49 1/4"
- OVERALL LENGTH: 73"
- OVERALL HEIGHT: 64 5/16"
- TOP SHELF: 48" X 72" LG
- BOTTOM SHELF: 48" X 24" LG
- MAXIMUM ROLL WIDTH: 44"
- MAXIMUM ROLL DIAMETER: 20"
- ROLL HEIGHTS: 46 1/8" & 58 1/2" (ADJUSTABLE)
- BOTTOM SHELF HEIGHT: 14 5/8" (ADJUSTABLE)
- TOP SHELF HEIGHT: 34"
- TOTAL UNIFORM CAPACITY:
 - CROSS BARS: 200 LBS. EACH
 - TABLE TOP: 500 LBS
 - SHELF: 250 LBS.
- TOUGH BAKED IN POWDER COATED BLUE FINISH

SPECIAL FEATURES

NONE



ISOMETRIC VIEW
SCALE: 1:42

APPROVAL	I, THE UNDERSIGNED, AGREE THAT THE PRODUCT AS REPRESENTED SATISFIES DESIGN AND DIMENSION REQUIREMENTS. I ALSO ACKNOWLEDGE MY DUTY TO CONFIRM PRODUCT AND INSTALLATION COMPLIANCE WITH ALL APPLICABLE FEDERAL, STATE AND LOCAL REGULATIONS AND STANDARDS.	
	ANY MODIFIED UNITS ARE NON-RETURNABLE	
	[] As drawn [] As marked	
	Signed: _____	Date: _____
Printed Name: _____		
LEAD TIME WILL START UPON RECEIPT OF SIGNED APPROVAL DRAWING		

DISTRIBUTOR'S NAME:		P.O.#
VESTIL MANUFACTURING		X
		W.O.#
DRAWN BY: CRA		X
DATE: 10/4/2019		SALES: X
REFERENCE: X	SCALE: 1:24	FILE NAME:
QUOTED LEAD TIME: X	QUOTE # X	43-007-007