

A company dedicated to solving ergonomic and material handling problems since 1955.

Ergonomic Solutions

OWNER'S MANUAL

LO-PROFILE DRUM CADDIES
MODELS LO-DC-MR-A, LO-DC-PU-A & LO-DC-CI-A
MODELS LO-DC-MR, LO-DC-PU, LO-DC-CI & LO-DC-PH

Contents	
Safety Precautions	1
Receiving Instructions	1
Warranty	1
Assembly Instructions	1
Operation	1
Parts List & Drawing	2 & 3

SAFETY PRECAUTIONS

Read owner's manual completely before operating unit!

- Never exceed the maximum capacity of 1,000 pounds.
- Never load more than one drum at a time.
- Never load the unit unless you are watching it.
- Stand clear of drum while loading and unloading.
- Drum must be pushed all the way to the back of the cradle before moving.
- Use caution in moving a loaded unit; avoid obstructions and floor defects.
- Wear steel-toe shoes when operating.

RECEIVING INSTRUCTIONS

Every unit is thoroughly tested and inspected prior to shipment. However, it is possible that the unit may incur damage during transit. If damage is noticed when unloading, make a note of it on the BILL OF LADING. Remove all packing and strapping material, then inspect the unit again for damage. **IF DAMAGE IS EVIDENT, FILE A CLAIM WITH THE CARRIER IMMEDIATELY!**

WARRANTY

This product is warranted for 90 DAYS from date of purchase to be free of manufacturing defects in material and workmanship.

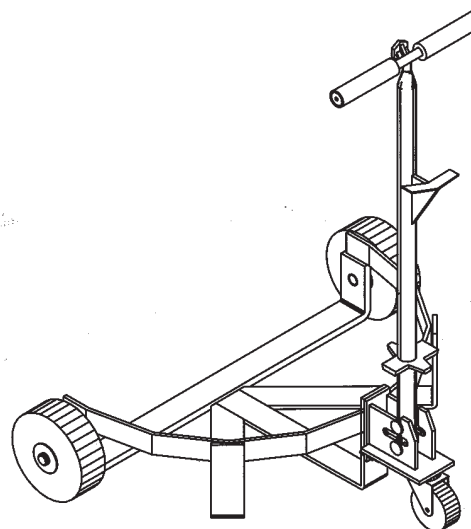
This warranty does not cover normal wear of parts or damage resulting from any of the following: negligent use or misuse of the product, use or application contrary to installation instructions, or disassembly, repair or alteration by any person prior to authorization from a factory representative.

ASSEMBLY INSTRUCTIONS

- 1) Attach casters using hardware included.
- 2) Bolt wheel assembly to cradle using hardware included.
- 3) Slide Handle into Wheel Assembly
 (Please refer to the next page for the assembly drawing)

OPERATION

- 1) Align unit in front of drum, remove handle, grip drum with handle.
- 2) Tip drum up while guiding the cradle under the drum.
- 3) Reattach handle and transport drum to desired location.



LO-PROFILE DRUM CADDIES
MODELS LO-DC-MR-A, LO-DC-PU-A
& LO-DC-CI-A

