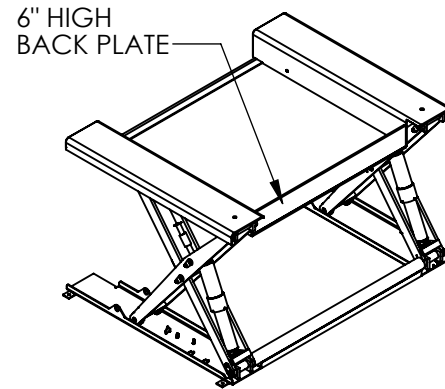
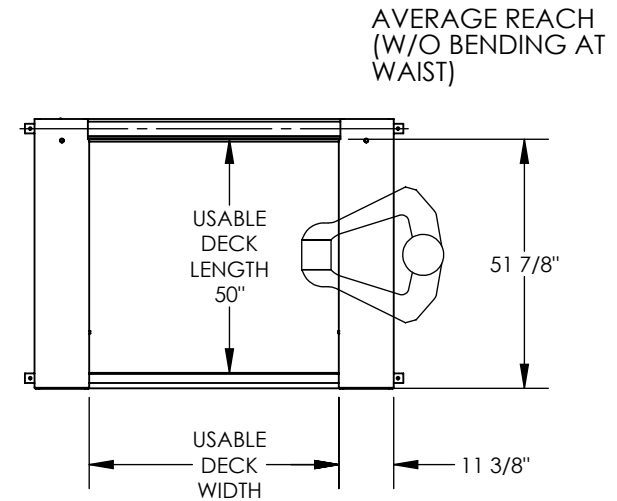
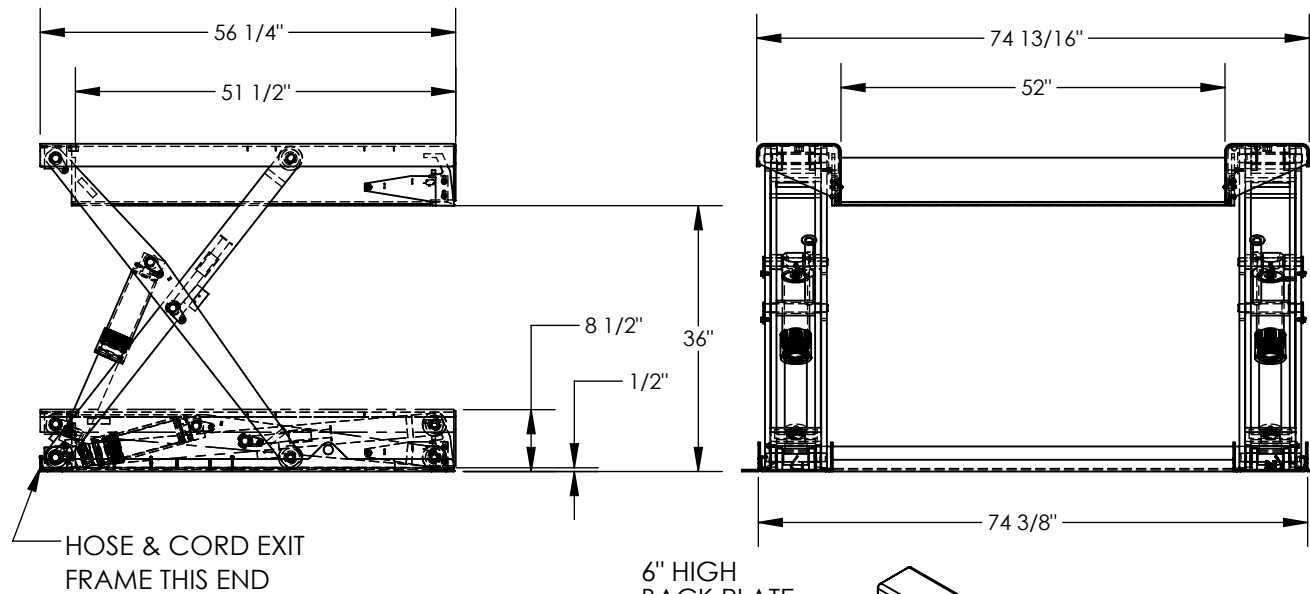


# GROUND LIFT SCISSOR TABLE - EHLTG-5250-4-36

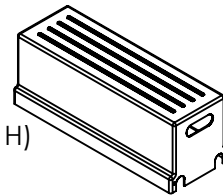
APPROX WEIGHT: 1404.87 lbs.  
DOES NOT INCLUDE WEIGHT OF POWER OR PACKAGING!!!

\*\*\* ANY ADDITIONS, DELETIONS, OR OMISSIONS MUST BE CORRECTED ON THIS DRAWING AS THIS DRAWING WILL BE CONSIDERED ALL INCLUSIVE \*\*\*

ALL GRAPHICS PROVIDED ARE FOR REFERENCE ONLY. IF CERTAIN DIMENSIONS ARE CRITICAL PLEASE VERIFY THOSE DIMENSIONS WITH YOUR SALESPERSON



REMOTE POWER UNIT:  
32 1/2" x 12" x 12 1/2" (L x W x H)  
WITH 8' HOSE & CABLE



## STANDARD FEATURES

MODEL NUMBER IS: EHLTG-5250-4-36  
 PLATFORM WIDTH (USABLE): 52"  
 PLATFORM LENGTH (USABLE): 50"  
 OVERALL WIDTH: 74 13/16"  
 OVERALL LENGTH: 56 1/4"  
 PLATFORM RAISED HEIGHT: 36"  
 PLATFORM LOWERED HEIGHT: 1/2"  
 CAPACITY: 4,000 LBS.  
 DURABLE LIQUID PAINT BLUE FINISH  
 CONTROL IS FOOT SWITCH, 2 PEDAL, NEMA 1  
 WITH MINIMUM USABLE 8' STRAIGHT CORD  
 EXTERNAL POWER UNIT

## PLEASE CIRCLE SPECIFICATIONS:

POWER	<input checked="" type="checkbox"/> AC	<input type="checkbox"/> DC (12V)	<input type="checkbox"/> AIR/OIL
MOTOR VOLTAGE	<input type="checkbox"/> 115	<input type="checkbox"/> 208	<input checked="" type="checkbox"/> 460
DEDICATED CIRCUIT REQUIRED 60Hz			
MOTOR PHASE	<input type="checkbox"/> SINGLE	<input checked="" type="checkbox"/> THREE	
CONTROL	<input type="checkbox"/> HAND	<input checked="" type="checkbox"/> FOOT	

## SPECIAL FEATURES

NONE

DIMENSION TOLERANCE ± 1/4"

APPROVAL

I, THE UNDERSIGNED, AGREE THAT THE PRODUCT AS REPRESENTED SATISFIES DESIGN AND DIMENSION REQUIREMENTS. I ALSO ACKNOWLEDGE MY DUTY TO CONFIRM PRODUCT AND INSTALLATION COMPLIANCE WITH ALL APPLICABLE FEDERAL, STATE AND LOCAL REGULATIONS AND STANDARDS.  
**UNITS REQUIRING APPROVAL DRAWINGS OR MODIFIED ARE NON-RETURNABLE**

[ ] As drawn [ ] As marked

Signed: \_\_\_\_\_ Date: \_\_\_\_\_

Printed Name: \_\_\_\_\_

LEAD TIME WILL START UPON RECEIPT OF SIGNED APPROVAL DRAWING

DISTRIBUTOR'S NAME:		P.O.#	
VESTIL MANUFACTURING		X	
DRAWN BY: V.GONI		DATE: 08/08/2013	W.O.#
			X
REFERENCE: X	SCALE: 1:26	SALES: X	
QUOTED LEAD TIME: X	QUOTE # X	FILE NAME:	
		04-007-053	