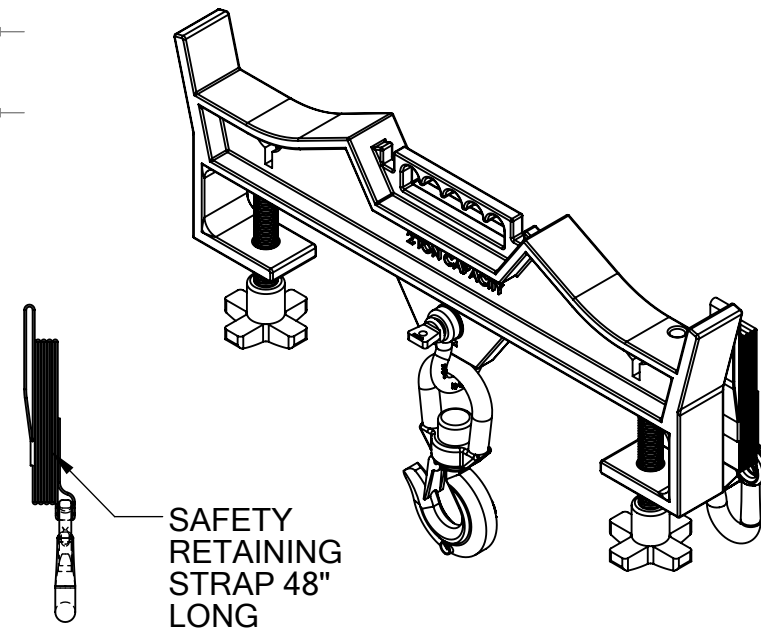
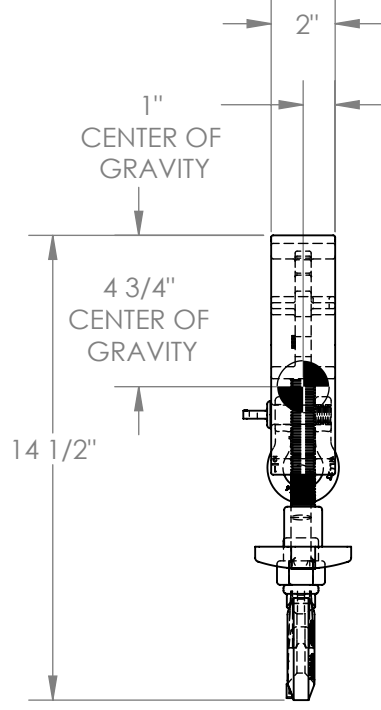
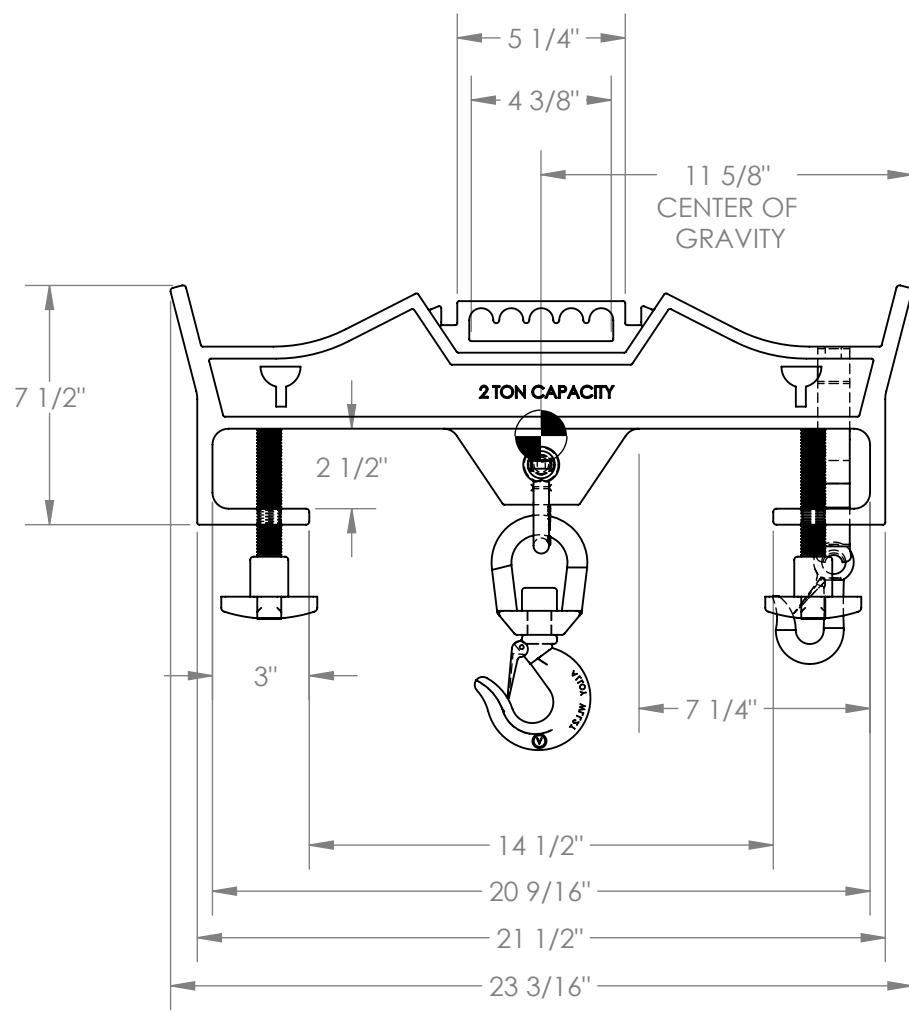


# DOUBLE/SWIVEL HOISTING HOOK - D-FORK-4-SL

APPROX WEIGHT: 30.63 lbs.  
 DOES NOT INCLUDE WEIGHT OF POWER OR PACKAGING!!!

\*\*\* ANY ADDITIONS, DELETIONS, OR OMISSIONS MUST BE CORRECTED ON THIS DRAWING AS THIS DRAWING WILL BE CONSIDERED ALL INCLUSIVE \*\*\*

ALL GRAPHICS PROVIDED ARE FOR REFERENCE ONLY. IF CERTAIN DIMENSIONS ARE CRITICAL PLEASE VERIFY THOSE DIMENSIONS WITH YOUR SALESPERSON



DIMENSION TOLERANCE  $\pm 1/4$ "

I, THE UNDERSIGNED, AGREE THAT THE PRODUCT AS REPRESENTED SATISFIES DESIGN AND DIMENSION REQUIREMENTS. I ALSO ACKNOWLEDGE MY DUTY TO CONFIRM PRODUCT AND INSTALLATION COMPLIANCE WITH ALL APPLICABLE FEDERAL, STATE AND LOCAL REGULATIONS AND STANDARDS.

**ANY MODIFIED UNITS ARE NON-RETURNABLE**

[ ] As drawn [ ] As marked

Signed: \_\_\_\_\_ Date: \_\_\_\_\_

Printed Name: \_\_\_\_\_

LEAD TIME WILL START UPON RECEIPT OF SIGNED APPROVAL DRAWING

## STANDARD FEATURES

- MODEL NUMBER: D-FORK-4-SL
- CAPACITY: 4,000 LBS (2 TONS)
- FORK OPENINGS: 7 1/4" W x 2 1/2" H
- MAX FORK WIDTH 20 9/16"
- OVERALL LENGTH: 23 3/16"
- BODY HEIGHT: 7 1/2"
- STRAP LENGTH: SAFETY RETAINING STRAP 48" LONG
- EFFECTIVE THICKNESS: ADJUSTABLE

## SPECIAL FEATURES

NONE

FOR INTERNAL USE ONLY PROJECT SIGN OFF	
SALES	
ENG.	
FAB.	
POWER	

DISTRIBUTOR'S NAME:		P.O.#
VESTIL MANUFACTURING		X
DRAWN BY: WHR	DATE: 12/22/11	W.O.#
REFERENCE: X	SCALE: 1:6	X
QUOTED LEAD TIME: X	QUOTE #	FILE NAME:
	X	08-007-143