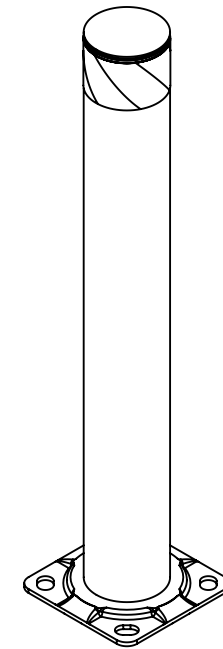
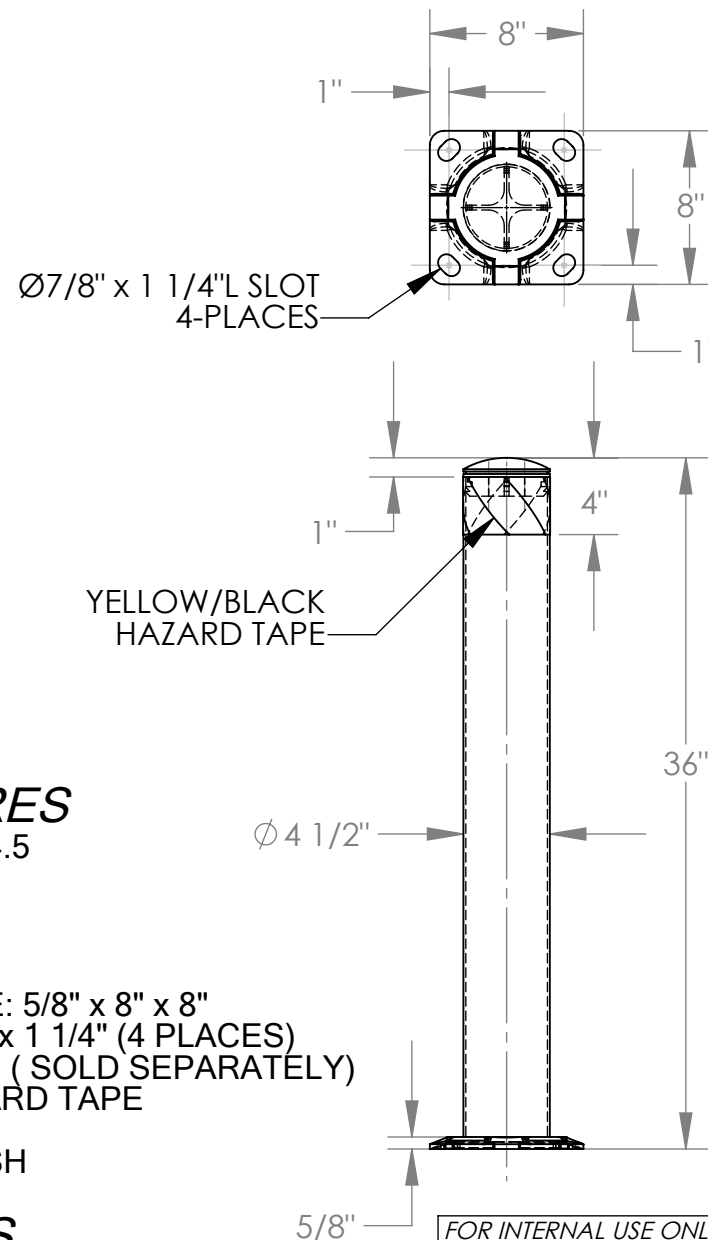


STEEL PIPE SAFETY BOLLARD - BOL - 36-4.5

APPROX WEIGHT: 21.93 lbs.
 DOES NOT INCLUDE WEIGHT OF POWER OR PACKAGING!!!

*** ANY ADDITIONS, DELETIONS, OR OMISSIONS MUST BE CORRECTED ON THIS DRAWING AS THIS DRAWING WILL BE CONSIDERED ALL INCLUSIVE ***

ALL GRAPHICS PROVIDED ARE FOR REFERENCE ONLY. IF CERTAIN DIMENSIONS ARE CRITICAL PLEASE VERIFY THOSE DIMENSIONS WITH YOUR SALESPERSON



STANDARD FEATURES

- MODEL NUMBER IS: BOL -36-4.5
- OVERALL WIDTH IS: 8"
- OVERALL LENGTH IS: 8"
- OVERALL HEIGHT IS: 36"
- PIPE DIAMETER IS: 4 1/2"
- LAG DOWN MOUNTING PLATE: 5/8" x 8" x 8"
- WITH MOUNTING SLOTS: 7/8" x 1 1/4" (4 PLACES)
- FOR 3/4" DIA. ANCHOR BOLTS (SOLD SEPARATELY)
- 3" YELLOW AND BLACK HAZARD TAPE
- REMOVABLE TOP CAP
- YELLOW POWDERCOAT FINISH

SPECIAL FEATURES

NONE

DIMENSION TOLERANCE ± 1/4"

APPROVAL

I, THE UNDERSIGNED, AGREE THAT THE PRODUCT AS REPRESENTED SATISFIES DESIGN AND DIMENSION REQUIREMENTS. I ALSO ACKNOWLEDGE MY DUTY TO CONFIRM PRODUCT AND INSTALLATION COMPLIANCE WITH ALL APPLICABLE FEDERAL, STATE AND LOCAL REGULATIONS AND STANDARDS.
ALL SPECIAL UNITS ARE NON-RETURNABLE
 As drawn As marked

Signed: _____ Date: _____

LEAD TIME WILL START UPON RECEIPT OF SIGNED APPROVAL DRAWING

FOR INTERNAL USE ONLY PROJECT SIGN OFF	
SALES	
ENG.	
FAB.	
POWER	

DISTRIBUTOR'S NAME:		P.O.#
VESTIL MANUFACTURING		X
DRAWN BY:	DATE:	W.O.#
J.BRANDT	07/17/08	X
REFERENCE:	SCALE:	SALES:
X	1:8	X
QUOTED LEAD TIME:	QUOTE #	FILE NAME:
X	X	23-007-008