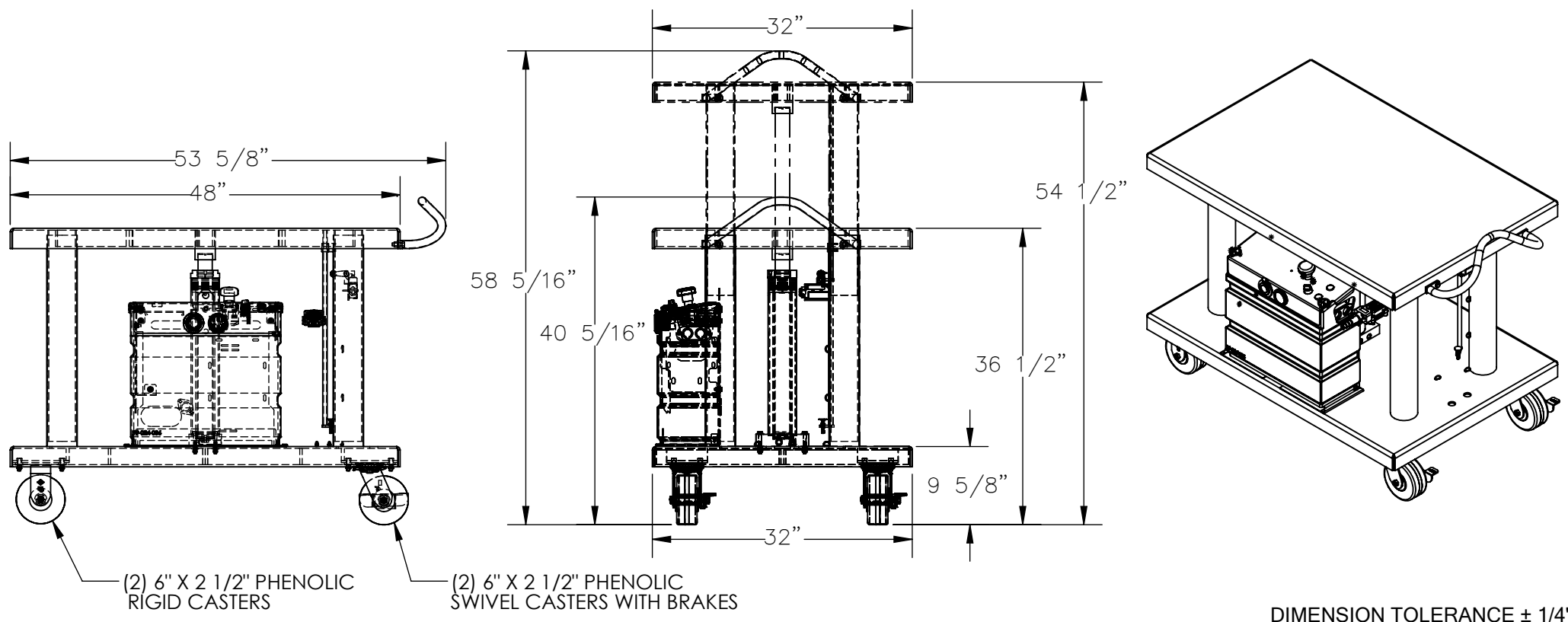


HYDRAULIC POST TABLE - HT-60-3248-DC

APPROX WEIGHT: 589.87 lbs.
DOES NOT INCLUDE WEIGHT OF POWER OR PACKAGING!!!

*** ANY ADDITIONS, DELETIONS, OR OMISSIONS MUST BE CORRECTED ON THIS DRAWING AS THIS DRAWING WILL BE CONSIDERED ALL INCLUSIVE ***

ALL GRAPHICS PROVIDED ARE FOR REFERENCE ONLY. IF CERTAIN DIMENSIONS ARE CRITICAL PLEASE VERIFY THOSE DIMENSIONS WITH YOUR SALESPERSON



DIMENSION TOLERANCE ± 1/4"

STANDARD FEATURES

- MODEL NUMBER IS HT-60-3248-DC
- MAX CAPACITY IS 6,000 LBS.
- OVERALL WIDTH: 32"
- USABLE WIDTH: 32"
- OVERALL LENGTH: 53 5/8"
- USABLE LENGTH: 48"
- RAISED HEIGHT: 54 1/2"
- LOWERED HEIGHT: 36 1/2"
- OVERALL RAISED HEIGHT: 58 5/16"
- OVERALL LOWERED HEIGHT: 40 5/16"
- (2) PHENOLIC RIGID CASTERS
- (2) PHENOLIC SWIVEL CASTERS WITH BRAKES
- HYDRAULIC HOSES NOT SHOWN
- TOUGH BAKED IN POWDER COATED BLUE FINISH

PLEASE CIRCLE SPECIFICATIONS:

| | | | | |
|--------------------------------------|--|--|--|------------------------------|
| POWER | <input type="checkbox"/> AC | <input checked="" type="checkbox"/> DC (12V) | <input type="checkbox"/> *AIR/OIL | |
| MOTOR VOLTAGE | <input type="checkbox"/> 115 | <input type="checkbox"/> 208 | <input type="checkbox"/> 230 | <input type="checkbox"/> 460 |
| DEDICATED CIRCUIT REQUIRED | | | | |
| MOTOR PHASE | <input type="checkbox"/> SINGLE | | <input type="checkbox"/> THREE | |
| CONTROL | <input checked="" type="checkbox"/> HAND | | <input type="checkbox"/> * FOOT | |
| ~ ALL BATTERY CHARGERS ARE 115V AC ~ | | | | |
| BATTERY CHRG. | <input type="checkbox"/> REMOTE | | <input checked="" type="checkbox"/> ON-BOARD | |
| * CHRG. INDICATOR | <input type="checkbox"/> YES | | <input checked="" type="checkbox"/> NO | |

* AVAILABLE AT ADDITIONAL COST

SPECIAL FEATURES

NONE

APPROVAL

I, THE UNDERSIGNED, AGREE THAT THE PRODUCT AS REPRESENTED SATISFIES DESIGN AND DIMENSION REQUIREMENTS. I ALSO ACKNOWLEDGE MY DUTY TO CONFIRM PRODUCT AND INSTALLATION COMPLIANCE WITH ALL APPLICABLE FEDERAL, STATE AND LOCAL REGULATIONS AND STANDARDS.

UNITS REQUIRING APPROVAL DRAWINGS OR MODIFIED ARE NON-RETURNABLE

[] As drawn [] As marked

Signed: _____ Date: _____

Printed Name: _____

LEAD TIME WILL START UPON RECEIPT OF SIGNED APPROVAL DRAWING

| | | |
|----------------------|-----------------|----------------|
| DISTRIBUTOR'S NAME: | | P.O.# |
| VESTIL MANUFACTURING | | X |
| DRAWN BY: CRH | DATE: 3/11/2020 | W.O.# |
| REFERENCE: X | SCALE: 1:18 | X |
| QUOTED LEAD TIME: X | QUOTE # | SALES: X |
| | X | FILE NAME: |
| | | 21-007-149-001 |