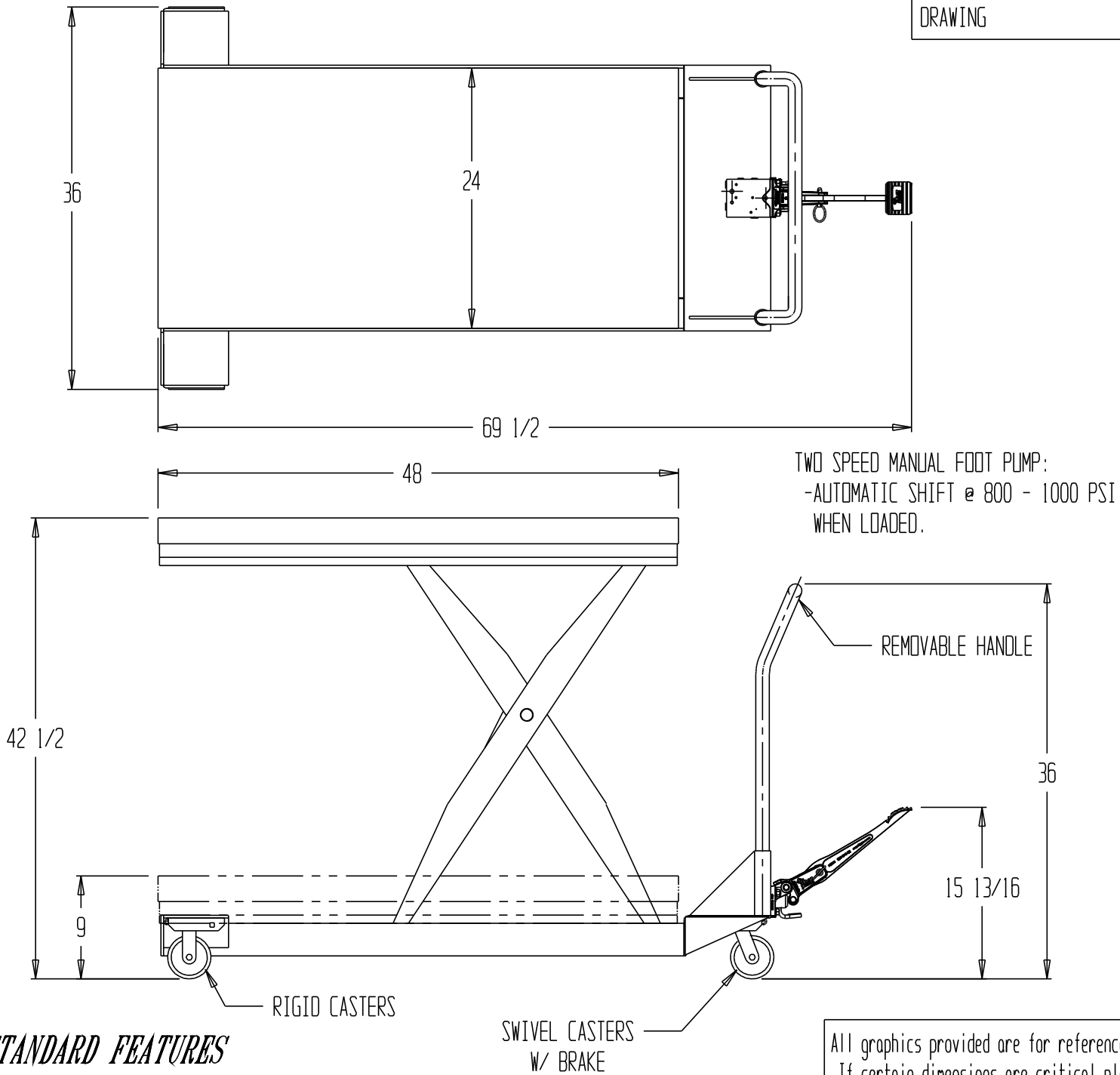


# MANUAL SCISSOR CART, CART-24-15-M

PRODUCTION WILL START UPON RECEIPT OF SIGNED APPROVAL DRAWING



TWO SPEED MANUAL FOOT PUMP:  
-AUTOMATIC SHIFT @ 800 - 1000 PSI  
WHEN LOADED.

## STANDARD FEATURES

- MODEL NUMBER: CART-24-15-M
- CAPACITY: 1,500 LBS.
- PLATFORM WIDTH: 24"
- PLATFORM LENGTH: 48"
- PLATFORM LOWERED HEIGHT: 9"
- PLATFORM RAISED HEIGHT: 42 1/2"
- OVERALL WIDTH: 36"
- OVERALL LENGTH: 69 1/2"
- CASTERS: TWO 4 X 2 PHENOLIC SWIVEL W/ BRAKE  
TWO 4 X 2 PHENOLIC RIGID

## SPECIAL FEATURES

NONE

All graphics provided are for reference only.  
If certain dimensions are critical please  
verify those dimensions with your salesperson

**A  
P  
P  
R  
O  
V  
A  
L**

I, THE UNDERSIGNED, AGREE THAT THE PRODUCT AS REPRESENTED SATISFIES DESIGN & DIMENSION REQUIREMENTS. I ALSO ACKNOWLEDGE MY DUTY TO CONFIRM PRODUCT & INSTALLATION COMPLIANCE WITH ALL APPLICABLE FEDERAL, STATE AND LOCAL REGULATIONS & STANDARDS.

**UNITS REQUIRING APPROVAL DRAWINGS OR MODIFIED ARE NON-RETURNABLE**  
( ) As drawn ( ) As marked

Signed: \_\_\_\_\_ Date: \_\_\_\_\_  
Printed Name: \_\_\_\_\_

LEAD TIME WILL START UPON RECEIPT OF SIGNED APPROVAL DRAWING

DISTRIBUTOR'S NAME: <b>VESTIL MFG</b>		P.O.#: _
DRAWN BY: _____		DATE: _
REFERENCE: _		SCALE: _
QUOTED LEADTIME: _		QUOTE #: _
		SALES: _
		DRWG./FILE NAME: CART-24-15-M