



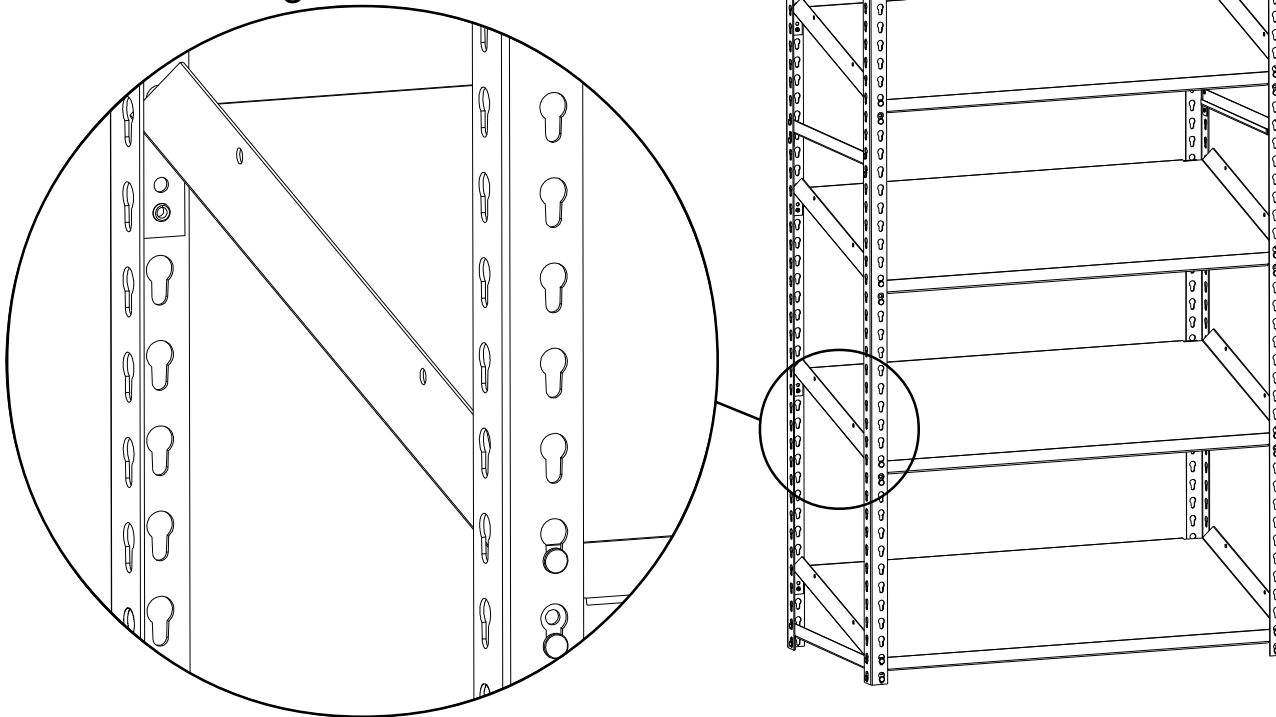
ASSEMBLY INSTRUCTIONS & PARTS LIST #2220805

**Z-Line Sloping Shelf Unit
RETAIN THIS SHEET FOR FUTURE REFERENCE**

Tennsco Corp., Dickson, TN 37056-1888 • (615) 446-8000

RETAIN THIS SHEET FOR FUTURE REFERENCE!

The **Tennsco** Z-Line Sloping shelf unit is boltless and can be assembled with the use of a rubber mallet. It is available in 36" and 48" wide, 18" and 24" deep and 84" high.



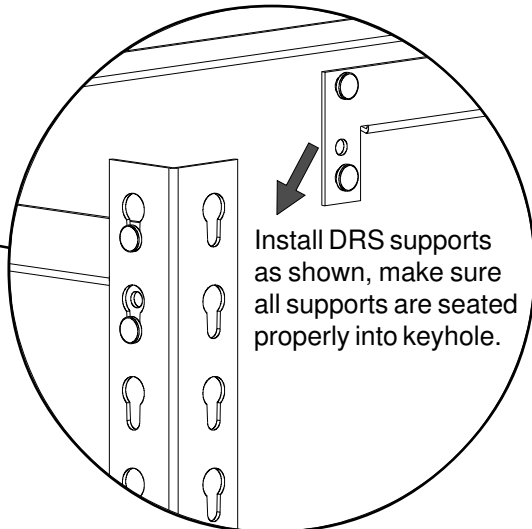
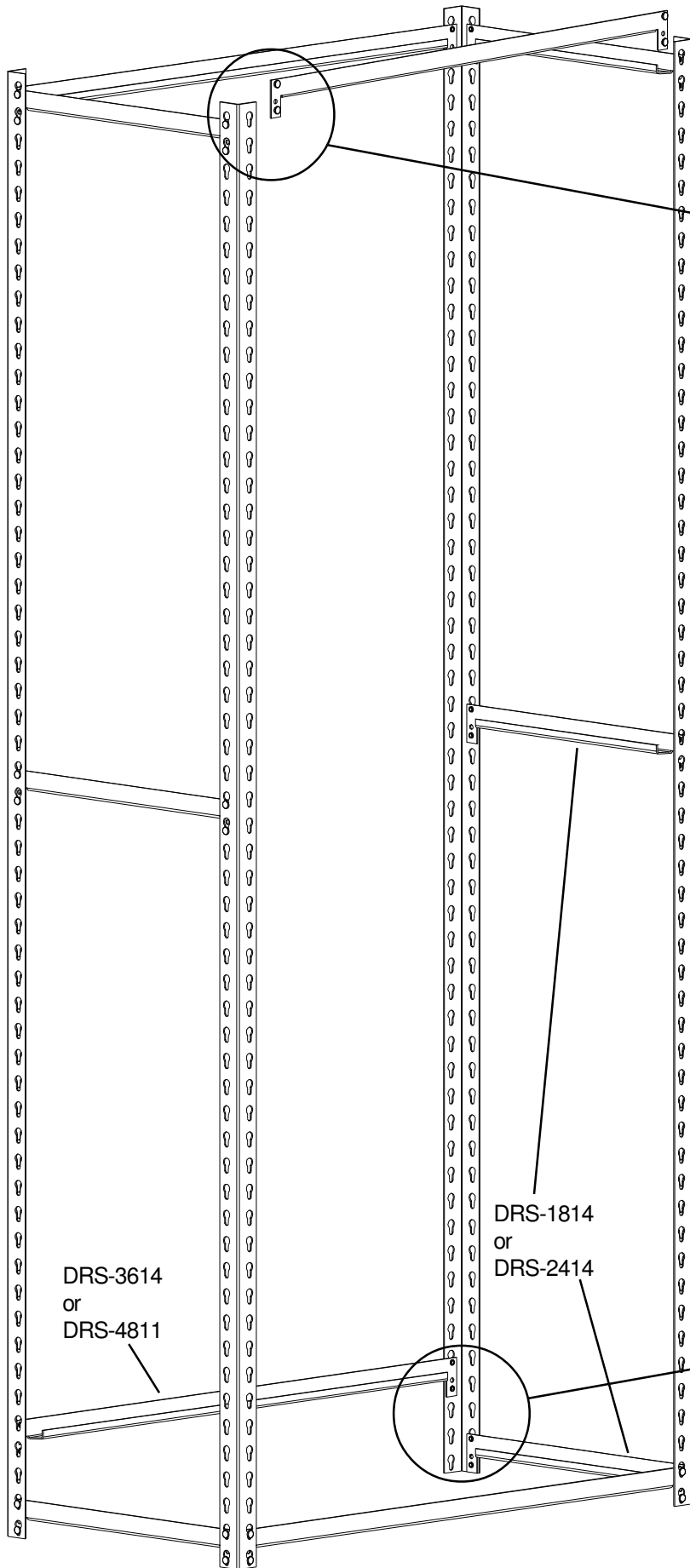
LIMITED WARRANTY

Tennsco warrants goods purchased hereunder to be free of defects in materials and workmanship for a period of one (1) year from the date of shipment, hereunder. This warranty shall not apply in the event goods are damaged as a result of misuse, abuse, neglect, accident, improper application, modification or repair by persons not authorized by Seller, where goods are damaged during shipment, or where the date stamps on the goods have been defaced, modified or removed. UNLESS CONSIDERED UNENFORCEABLE OR UNLAWFUL UNDER APPLICABLE LAW:

- a. ALL IMPLIED WARRANTIES, INCLUDING BUT NOT LIMITED TO WARRANTIES OF MERCHANTABILITY AND FITNESS FOR A PARTICULAR PURPOSE ARE HEREBY EXCLUDED:
- b. BUYER'S REMEDY, IF ANY, FOR ANY DEFECTIVE GOODS SHALL BE LIMITED TO A REFUND BY SELLER OR REPLACEMENT OF THE GOODS AT SELLER'S OPTION, AND SHALL IN NO EVENT INCLUDE DAMAGES OF ANY KIND, WHETHER INCIDENTAL, CONSEQUENTIAL OR OTHERWISE.

NO GOODS ACCEPTED FOR RETURN WITHOUT PRIOR APPROVAL. Seller shall have the right to inspect any goods claimed to be defective at Buyer's place of business or require Buyer to return the goods to Seller for inspection on Seller's premises. Transportation charges covering returned goods will be borne by Seller only if such goods are proven to be defective, are covered by this warranty and are returned within the warranty period stated above.

TENNSCO Corp., P.O. BOX 1888, DICKSON, TN 37056-1888
(615) 446-8000 or (866) 446-8686 (toll free)
Website: www.tennsco.com E-mail: Info@tennsco.com



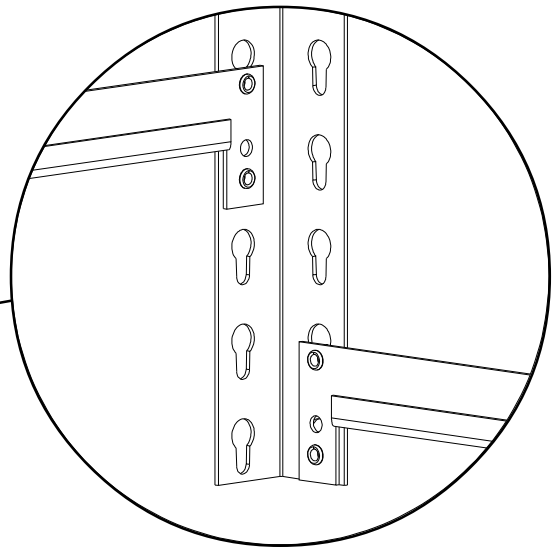
If you are using add-on units use two ZTP-84 in place of two EUR-84 to connect the units together.

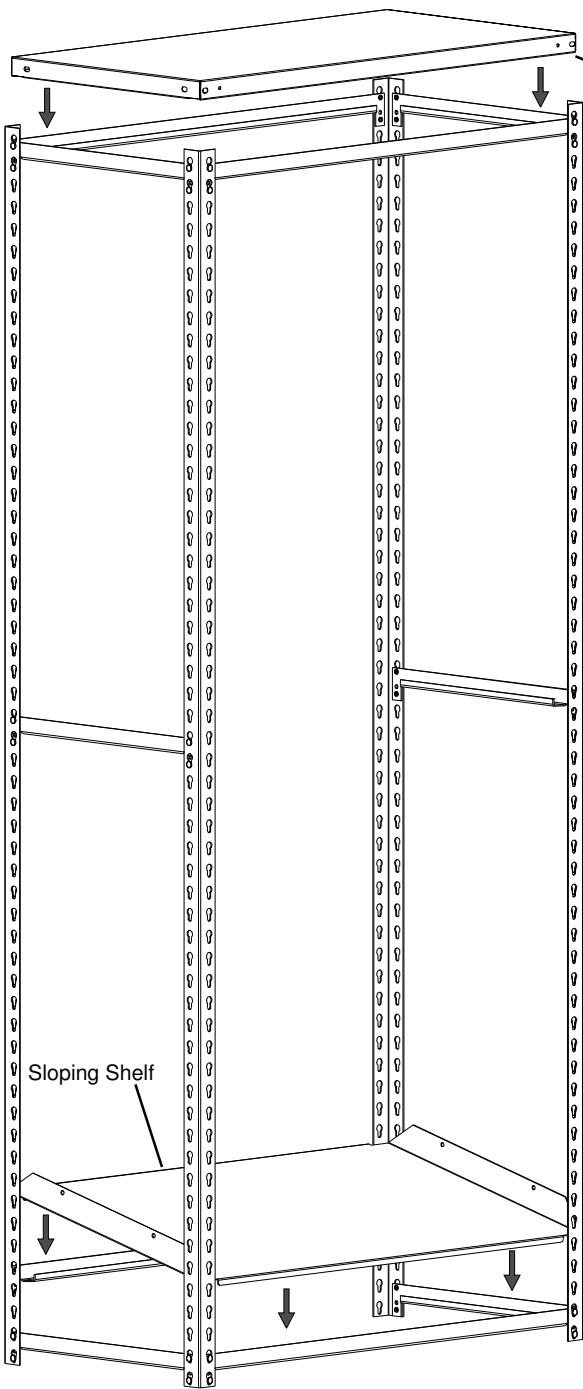
EUR-84

Rear DRS is placed 4 1/2" higher than front DRS for correct angle of sloping shelf.

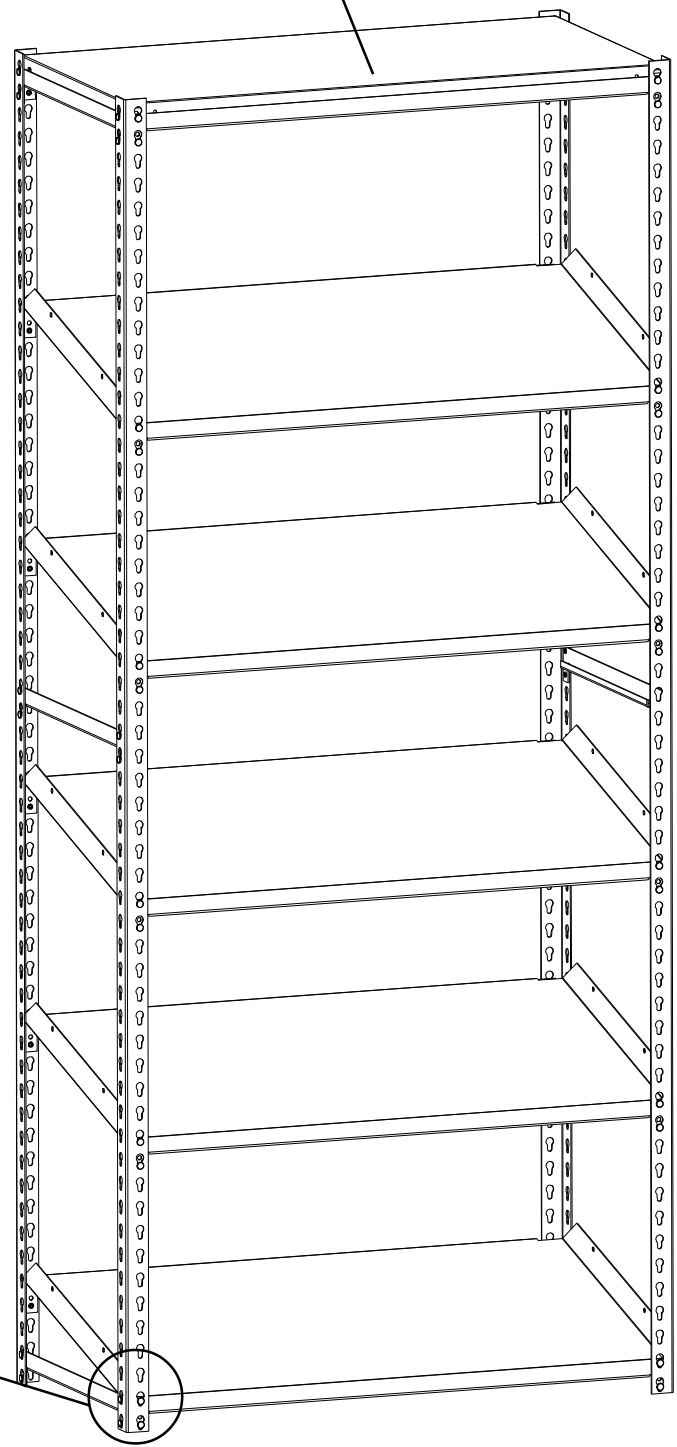
DRS-3614
or
DRS-4811

DRS-1814
or
DRS-2414

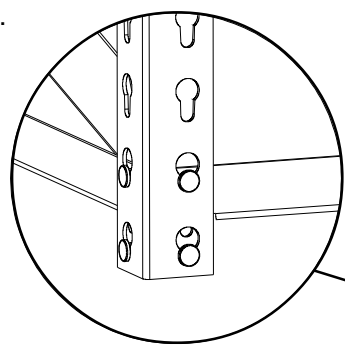


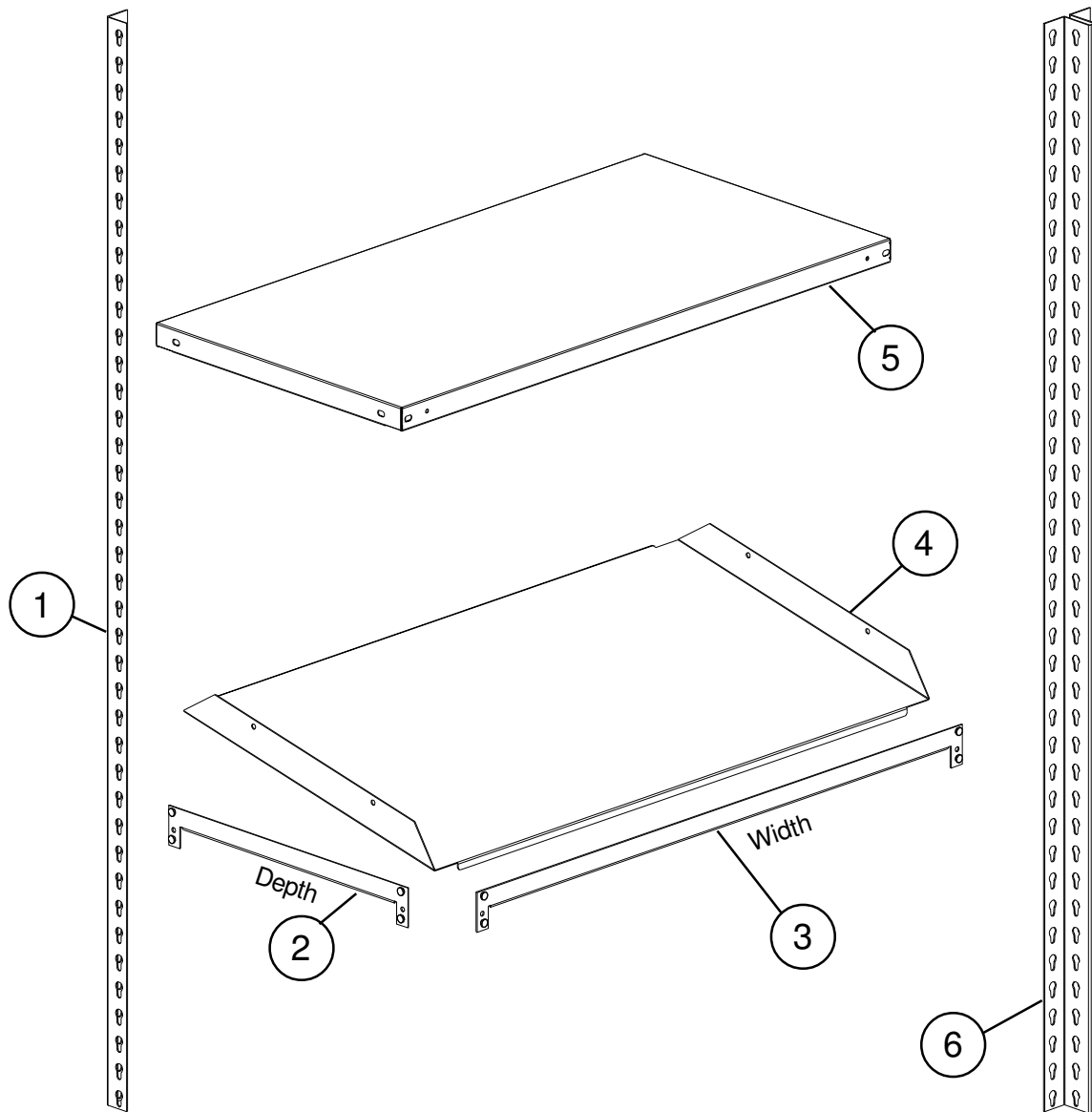


Lay Steel Boxed formed shelf on top of supports for the top level of unit.



Lower Sloping shelf onto supports with the large flange placed over the rear support and the small flange resting inside the channel of the front support. Install remaining supports at desired distance for each level and install sloping shelves.





REPLACEMENT PARTS

ITEM NO.	DESCRIPTION	PART NO.	STARTER UNIT QTY.	ADD-ON UNIT QTY.
1	Standard angle post	EUR-84	4	-
2	Front to Back Support	DRS-XXXX	6	6
3	Left to Right Support	DRS-XXXX	12	12
4	Sloping Shelf	ZSS-XXXX	5	5
5	Steel Shelf	Q2-XXXX	1	1
6	Add-on post	ZTP-84	-	2

We make every effort to ensure that all units ship complete and arrive undamaged. However, should your unit contain missing or damaged parts, replacements may be obtained directly from us. To obtain proper replacement parts, follow the instructions below, or fill out the form at www.tennsco.com/partsorder.html.

TO OBTAIN PROPER REPLACEMENT PARTS, PLEASE PROVIDE THE FOLLOWING INFORMATION:

- Model Number
- Description of part(s) needed and part number(s) as shown in Parts List (above)
- Color (i.e. Medium Grey, Sand, etc.)
- Was item missing, or was it damaged?
- Purchase Date
- Your company name
- Contact person's name
- Company the product was purchased from

Tennsco Corp., P.O. Box 1888, Dickson, TN 37056-1888 E-mail address: info@tennsco.com

Customer Service: (866) 446-8686 Fax: (866) 445-7260

If requesting parts by telephone, ask for customer service and have as much of the above information ready as possible.