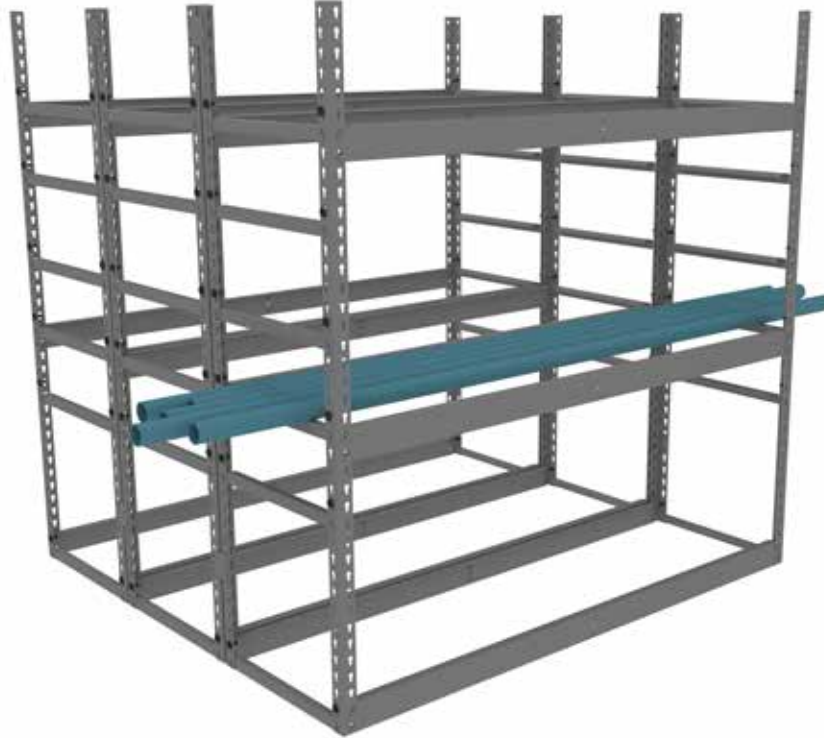


## Horizontal Bar Racks

### RETAIN INSTRUCTIONS FOR FUTURE REFERENCE

---



### GENERAL SAFETY INFORMATION

Some parts may have sharp edges. CARE must be taken when handling various pieces to avoid injury. For safety, wear a pair of work gloves when assembling or performing any maintenance on units.

---

### LIMITED WARRANTY

Tennsco warrants goods purchased hereunder to be free of defects in materials and workmanship for a period of one (1) year from the date of shipment, hereunder. This warranty shall not apply in the event goods are damaged as a result of misuse, abuse, neglect, accident, improper application, modification or repair by persons not authorized by Seller, where goods are damaged during shipment, or where the date stamps on the goods have been defaced, modified or removed. UNLESS CONSIDERED UNENFORCEABLE OR UNLAWFUL UNDER APPLICABLE LAW:

- a. ALL IMPLIED WARRANTIES, INCLUDING BUT NOT LIMITED TO WARRANTIES OR MERCHANTABILITY AND FITNESS FOR A PARTICULAR PURPOSE ARE HEREBY EXCLUDED:
- b. BUYERS REMEDY, IF ANY, FOR ANY DEFECTIVE GOODS SHALL BE LIMITED TO A REFUND BY SELLER OR REPLACEMENT OF THE GOODS AT SELLER'S OPTION, AND SHALL IN NO EVENT INCLUDE DAMAGES OF ANY KIND, WHETHER INCIDENTAL, CONSEQUENTIAL OR OTHERWISE.

NO GOODS ACCEPTED FOR RETURN WITHOUT PRIOR APPROVAL. Seller shall have the right to inspect any goods claimed to be defective at Buyers place of business or require Buyer to return the goods to Seller for inspection on Seller's premises. Transportation charges covering returned goods will be borne by Seller only if such goods are proven to be defective, are covered by this warranty and are returned within the warranty period stated above.

---



**PROUDLY MADE IN THE U.S.A.**

Tennsco LLC., Dickson, TN 37056-1888 • (866) 446-8686

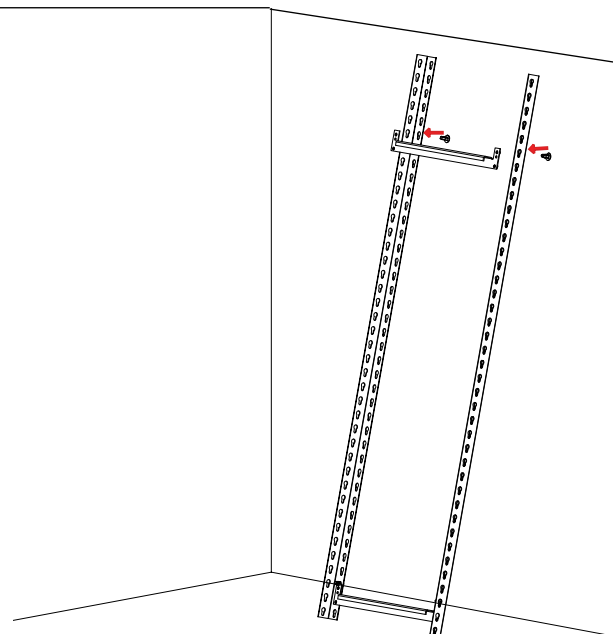
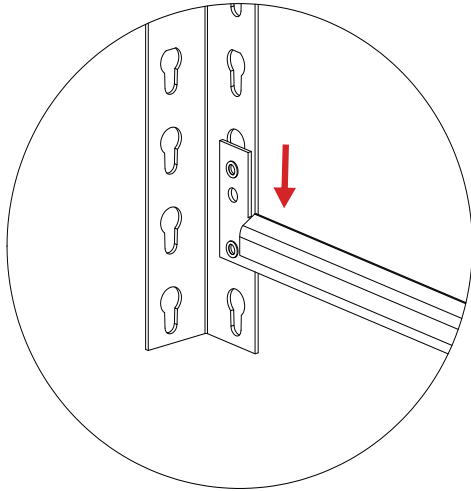
# ASSEMBLY OF HORIZONTAL BAR RACKING

**Tools Needed:** A rubber mallet for seating the shelf supports into the uprights.

Two people are recommended for assembly. Approximate assembly time: 20-30 minutes per section.

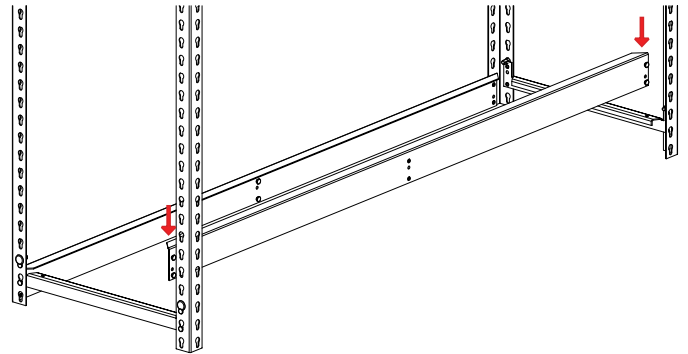
1. The reference numbers used throughout this sheet refer to the illustration on the back cover. This is to help you identify the various parts as they are mentioned.
2. Create a unit end by connecting two uprights (Ref. No. 1) with one of the front-to-back shelf supports (Ref. No. 2) by inserting the shelf support rivets into the keyhole slots of each upright as shown below. Use a rubber mallet to seat the upright securely. Then attach another front-to-back shelf support at the top of the uprights in your desired location or approximately 12" from the top. Attach in the same manner as the bottom.

**NOTE:** Be sure that the narrow end of the key hole slots are pointing downward, and the 'U' shaped edge is facing down as shown below.

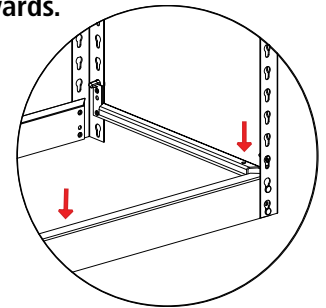


3. Assemble another unit end by repeating the directions in step 2. Be sure the shelf support rivets are seated at the same level as the previous unit end. Depending on the desired height of each bay, connect the remaining front-to-back pieces to the upright posts.

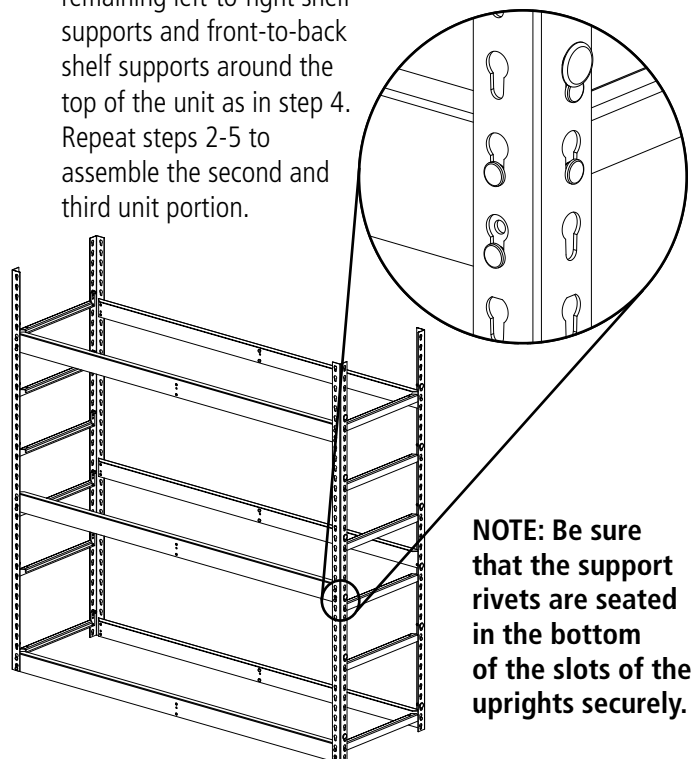
4. Connect two of the left-to-right shelf supports (Ref. No. 3) between the two assemblies, one on each side. Be sure to use the two keyhole slots nearest the floor.



**NOTE:** Make sure the flat edge of the shelf supports are facing upwards.

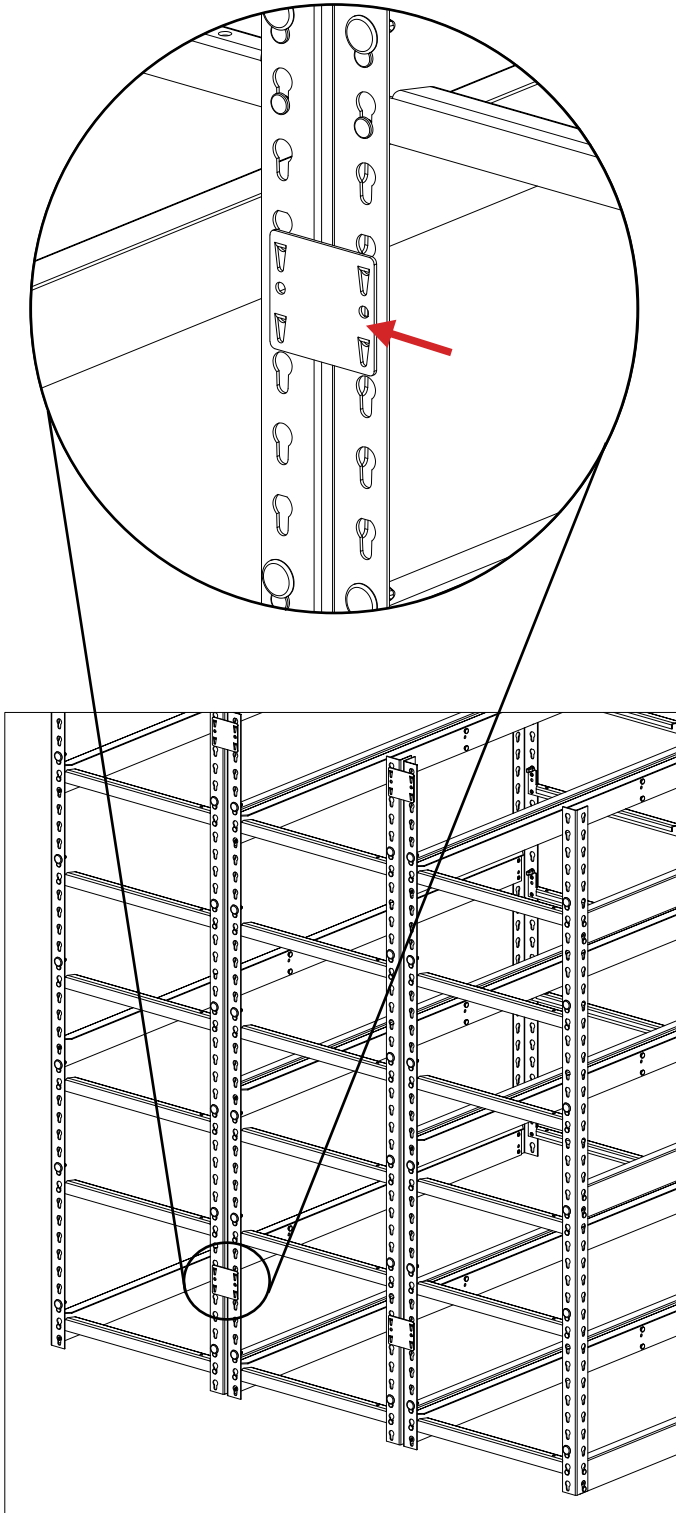


5. Finish installing the remaining left-to-right shelf supports and front-to-back shelf supports around the top of the unit as in step 4. Repeat steps 2-5 to assemble the second and third unit portion.

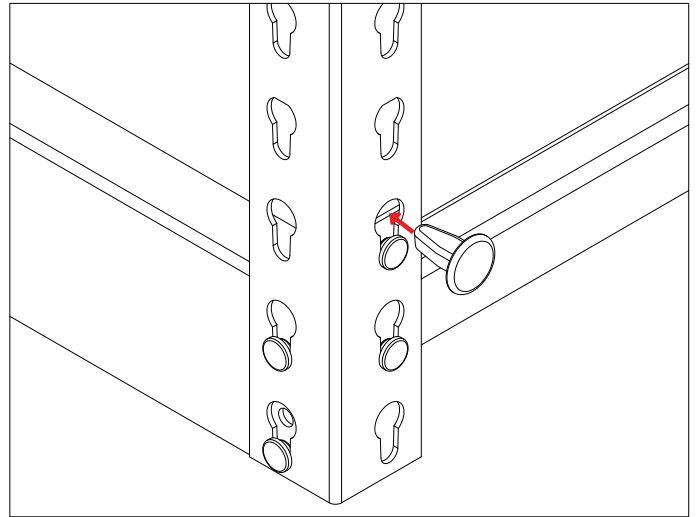


**NOTE:** Be sure that the support rivets are seated in the bottom of the slots of the uprights securely.

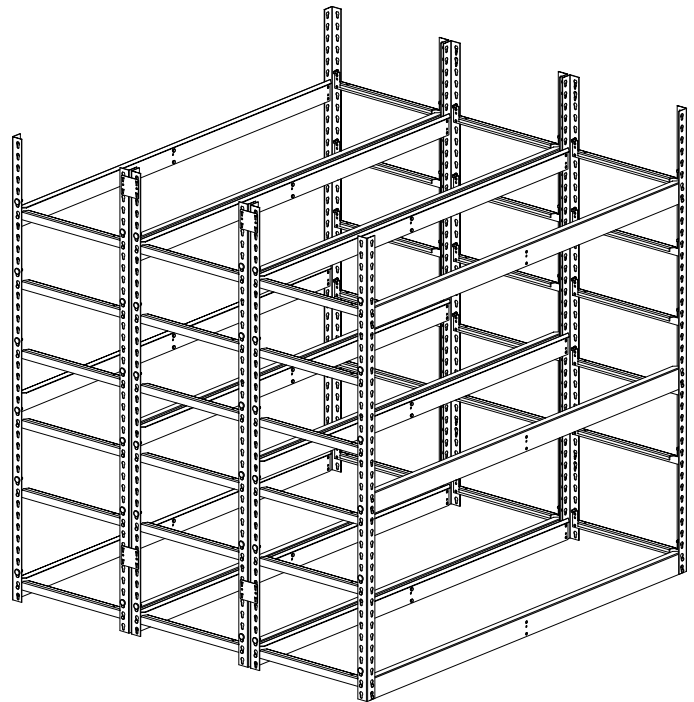
- 6.** After building the framework of each unit, connect all three single units using the tie plate (Ref. No. 4). Insert the tie plate in the top couple holes from the top and approximately 12" from the bottom of the upright posts.



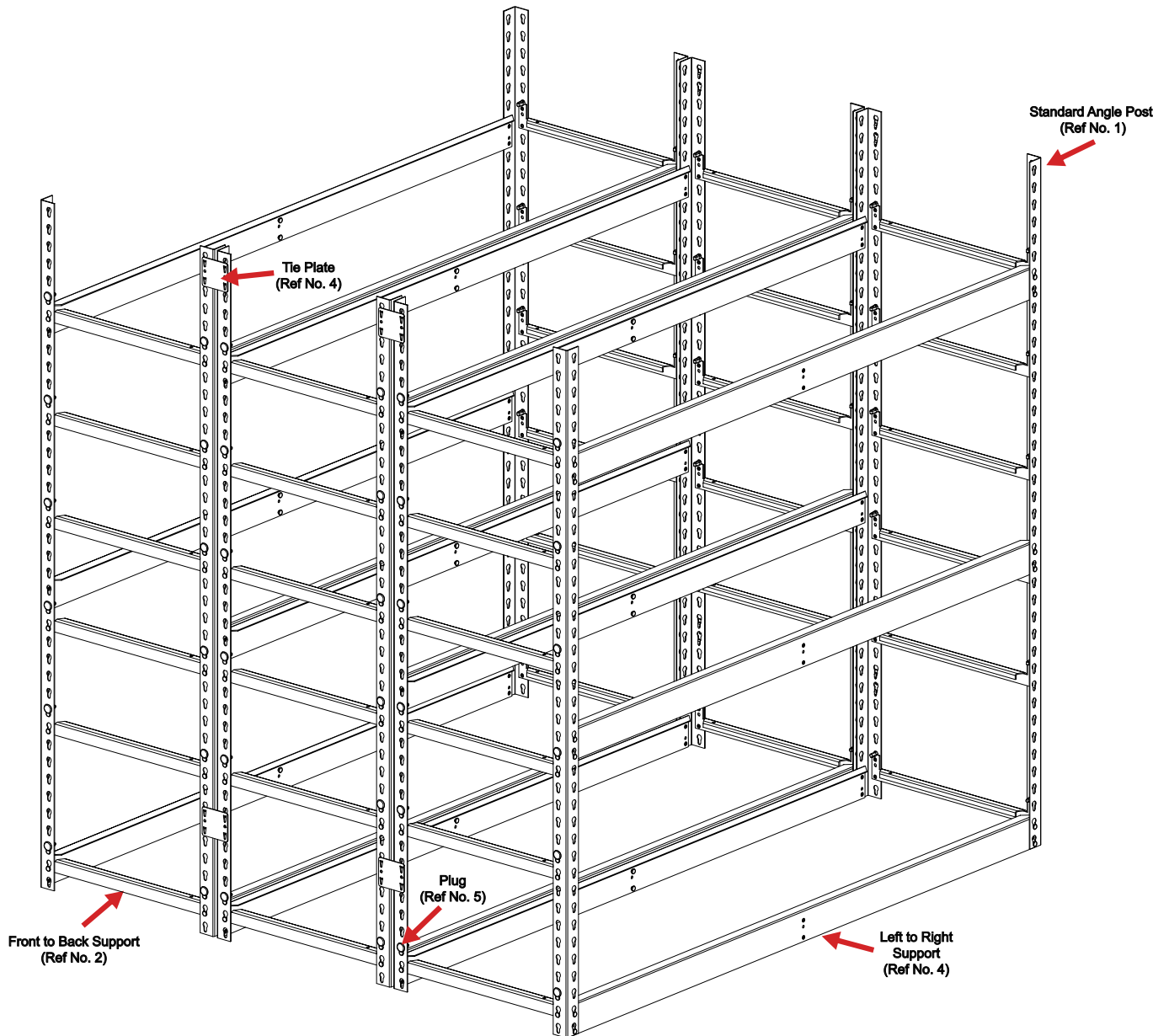
- 7.** Once the side supports are in place, secure the front-to-back supports with the safety plugs (Ref. No. 6), placing them in the holes of the upright post at the top of the front-to-back support at each level.



- 8.** Your unit is now finished and ready for use.



# REPLACEMENT PARTS



REF. NO.	DESCRIPTION	PART NUMBERS	QTY.
1	Standard Angle Post	EUR-60	12
2	Front to Back Support	DRS-1814	36
3	Left to Right Support	LRA-60	18
4	Tie Plate	TP-1	8
5	Safety Plug	ALPLUG	72

Tennsco makes every effort to ensure that all units ship complete with all parts and arrive undamaged. However, should your unit contain missing or damaged parts, please contact your purchase location.