

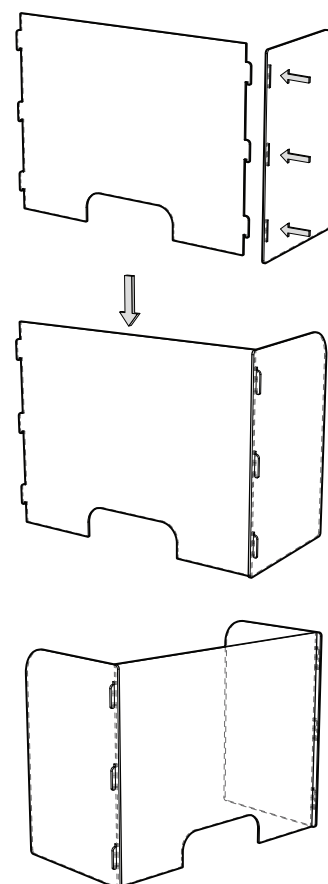
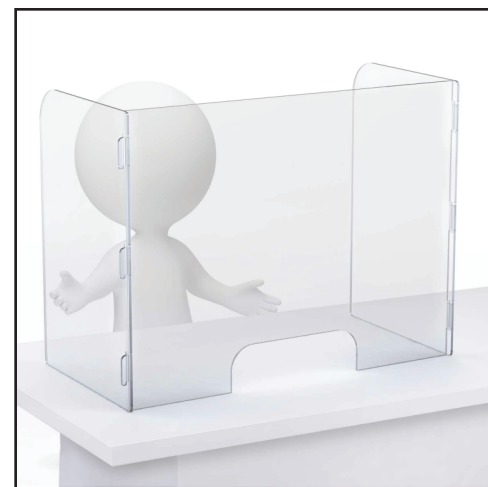
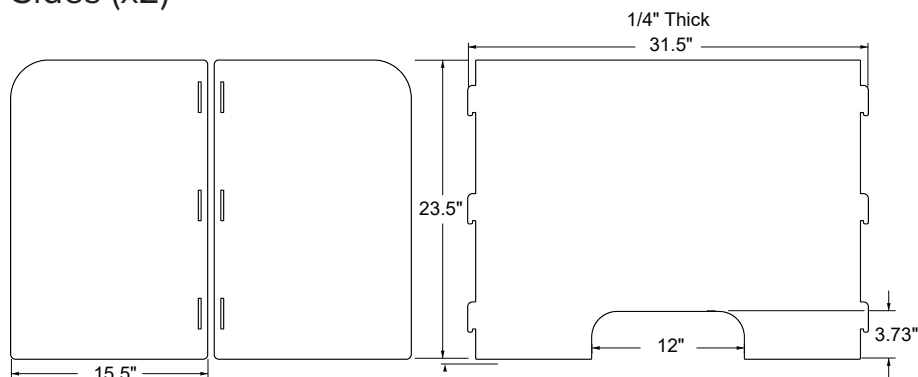
Protective Safety Barrier

Assembly & Care Instructions

SG2027

Product Parts

Barrier (x1)
Sides (x2)



How to Set-Up Your Safety Barrier

Line up all three tabs on the front panel with the notches on one of the sides and slide into place. Drop the front panel down until it is locked into place. Repeat these same steps with the second side.

How to Clean You Safety Barrier

1. Clean Safety Barrier surface with Soap and Water or disinfectant detergent.
2. Spray detergent on a Soft Cloth or a Microfiber Cloth.
3. Apply mild pressure to wipe.

DO NOT USE cleaners or disinfectants containing Ammonia, Bleach or Alcohol, this may crack or fog the clear acrylic.