

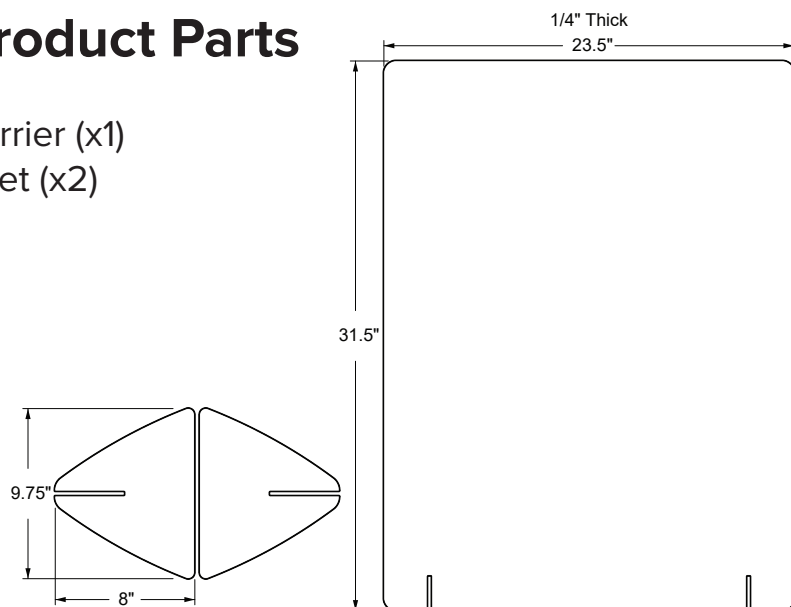
Protective Safety Barrier

Assembly & Care Instructions

SG2026B

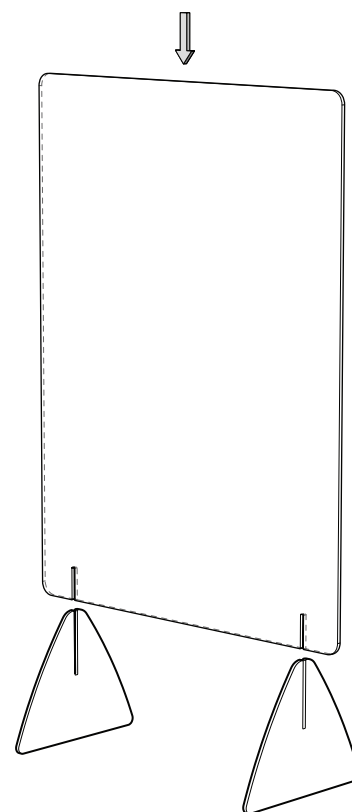
Product Parts

Barrier (x1)
Feet (x2)



How to Set-Up Your Safety Barrier

Insert one foot into each of the notches at the bottom of your barrier. Make sure that the notches on the feet are fully inserted. The barrier will sit at a slight angle for stability.



How to Clean You Safety Barrier

1. Clean Safety Barrier surface with Soap and Water or disinfectant detergent.
2. Spray detergent on a Soft Cloth or a Microfiber Cloth.
3. Apply mild pressure to wipe.

DO NOT USE cleaners or disinfectants containing **Ammonia, Bleach or Alcohol**, this may crack or fog the clear acrylic.