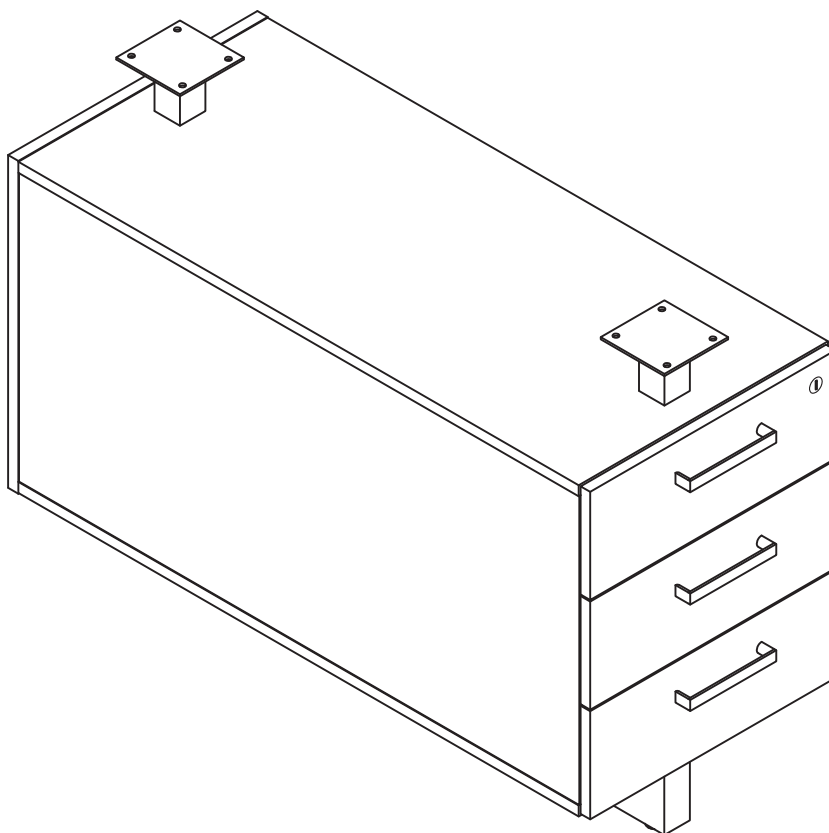


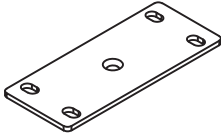
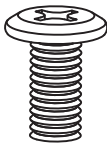
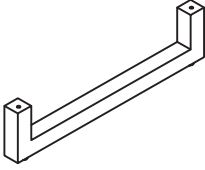
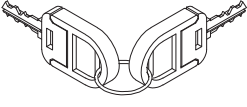
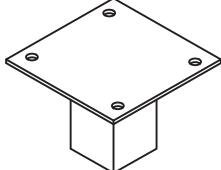
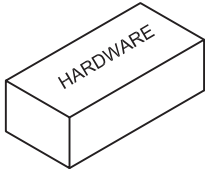
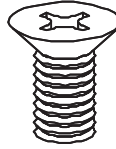


Mirella Series  
Desk Ped Box Box Box  
Model No. MRDBBB36



For questions or concerns, please call 1-888-971-6225 available  
Monday-Friday 7:30 AM to 5:00 PM (Central Time)  
(English-speaking operators)

# PARTS LIST

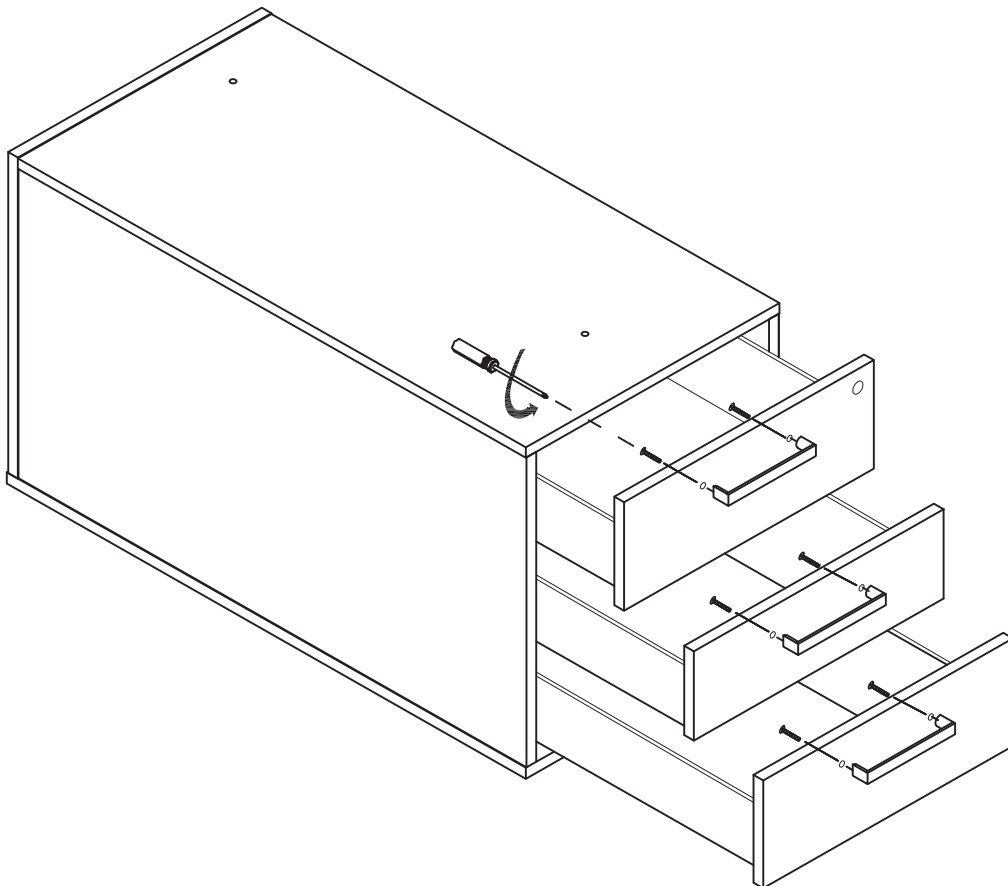
Name	Part	Qty.	Spare Qty	Name	Part	Qty.	Spare Qty
A	 HB 120*50*3mm	2		E	 HB M6*15mm	8	1
B	 U Shape Base	1		F	 HB Keys	1	
C	 80*80*73mm	2			 MRDDBB36HB		
D	 HB M6*15mm	2	1				

Items with HB are in hardware box.

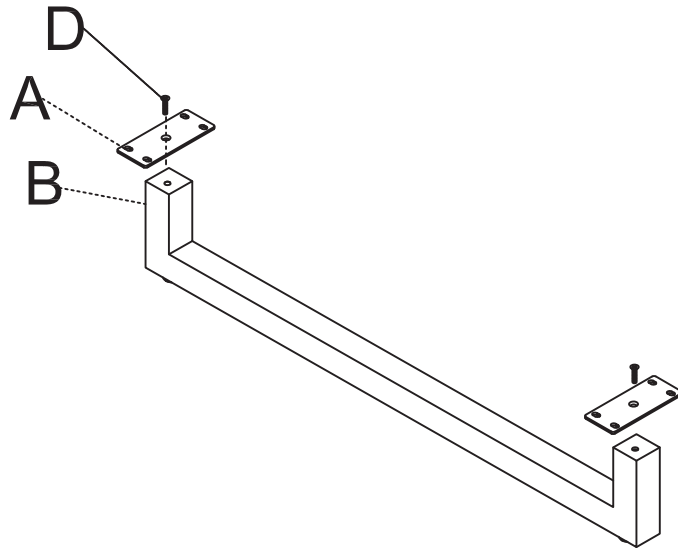
## IMPORTANT!

**Review ALL instructions before beginning assembly.** These instructions are provided to avoid problems that may occur from improper assembly or installation. SAFCO and/or its distributor are not responsible for failure resulting from improper assembly or installation of this product. Moreover, all warranties are void for failure to follow these assembly instructions.

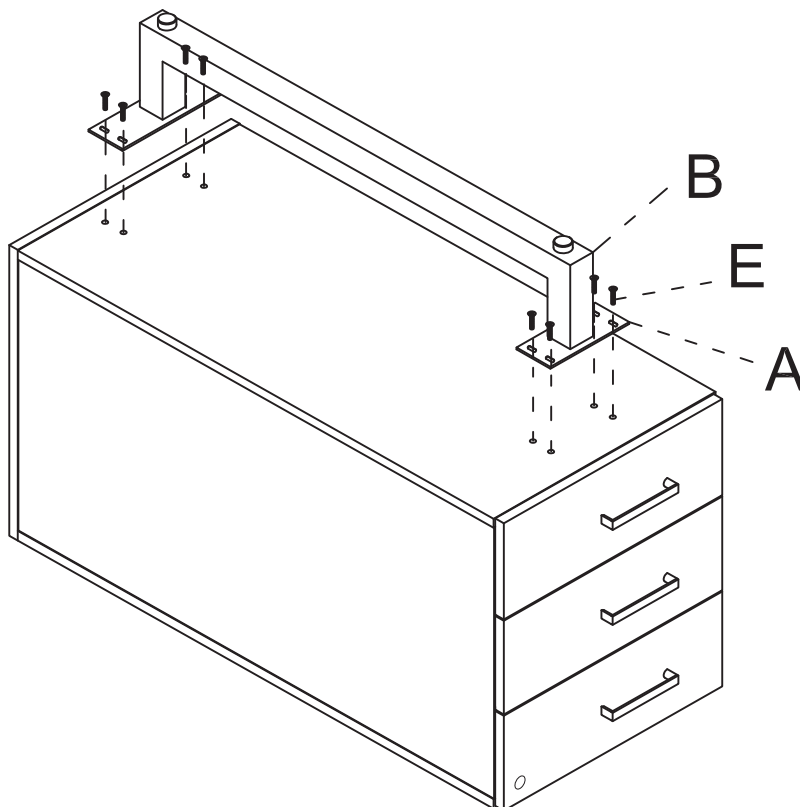
- 1 Install the handle from the inside of the drawer to the outside



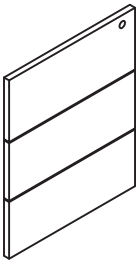
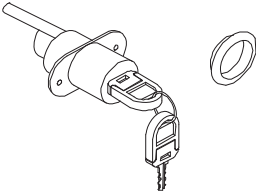
- ② Lock the Bracket (A) and U Shape Base (B) by using Screw (D);




- ③ Use Screw (E) to connect the U Shape Base (B) and the Bracket (A) to the bottom of the Pedestal.



# Pre-Installed Replacement Parts List

Part	Included Qty.
 Drawer Fronts, Set of 3	1
 Lock w/ Key	1

Part	Included Qty.
 16" Drawer Slides	3