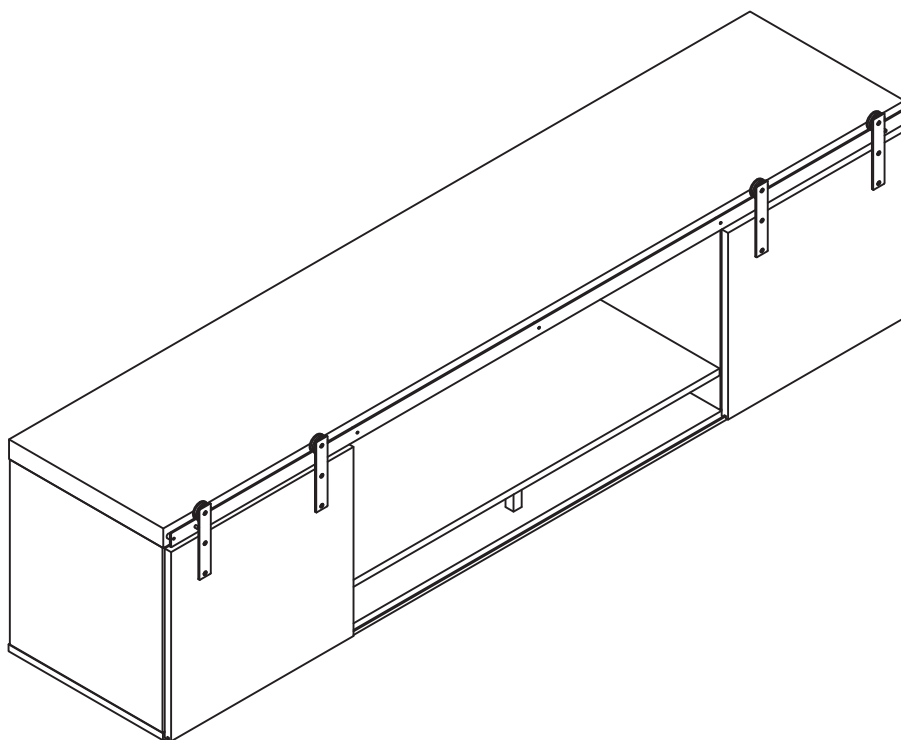



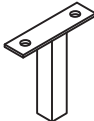

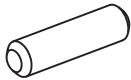





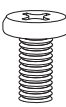



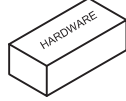
Mirella Series
Hutch with Sliding Wood Doors
Model No. MRHTWD72 & MRHTWD66



For questions or concerns, please call 1-888-971-6225 available
Monday-Friday 7:30 AM to 5:00 PM (Central Time)
(English-speaking operators)

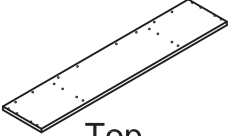

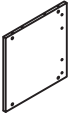


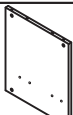
PARTS LIST

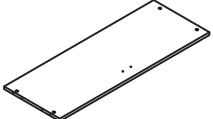
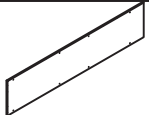
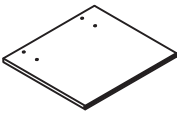


Name	Part	Qty.	Spare Qty
A	 HB Wheel bracket	4	
B	 HB 60*20*73mm	1	
C	 HB Cam Post	32	1
D	 HB Wood Dowel	32	1
E	 HB Cam Lock	32	1
F	 HB M8*25mm	6	

Name	Part	Qty.	Spare Qty
G	 HB M3.5*30mm	7	1
H	 HB M6*25mm	1	
I	 HB M6*14mm	8	1
J	 HB M6*12mm	2	
K	 HB Cam Sticker	32	1
	 HB MRTHWD66-72		

Items with HB are in hardware box.

PARTS LIST

Name	Part	Qty.
M	 Top	1
N	 Bottom	1
O	 Left Side Panel	1
P	 Right Side Panel	1
Q	 Left inside Panel	1
R	 Right inside Panel	1

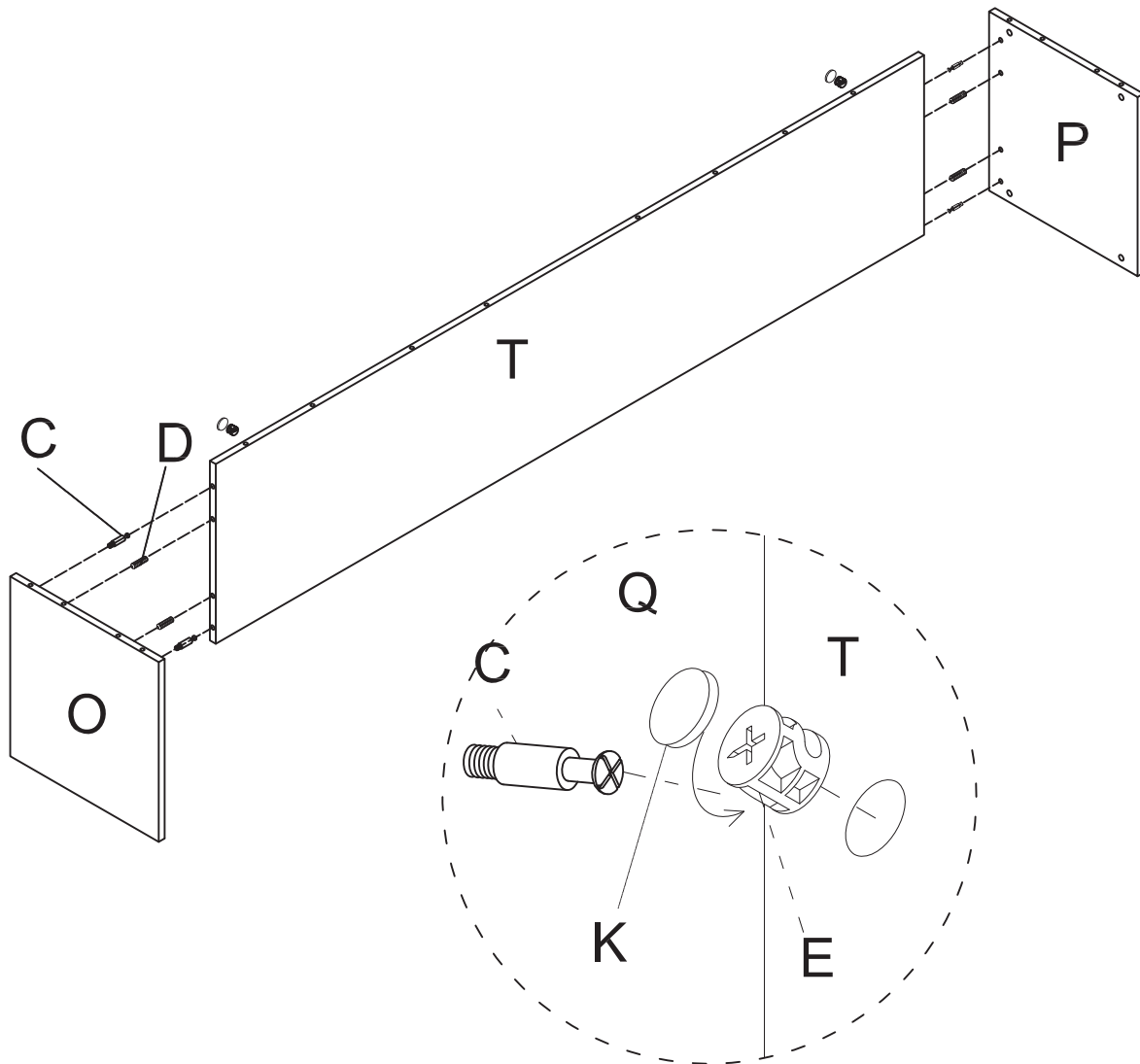
Name	Part	Qty.
S	 Fixed Shelf	1
T	 Back Panel	1
U	 Wood Door	2
V	 Wall Mounting Board	1
W	 Back cabinet Mounting Board	1

IMPORTANT!

Review ALL instructions before beginning assembly. These instructions are provided to avoid problems that may occur from improper assembly or installation. SAFCO and/or its distributor are not responsible for failure resulting from improper assembly or installation of this product. Moreover, all warranties are void for failure to follow these assembly instructions.

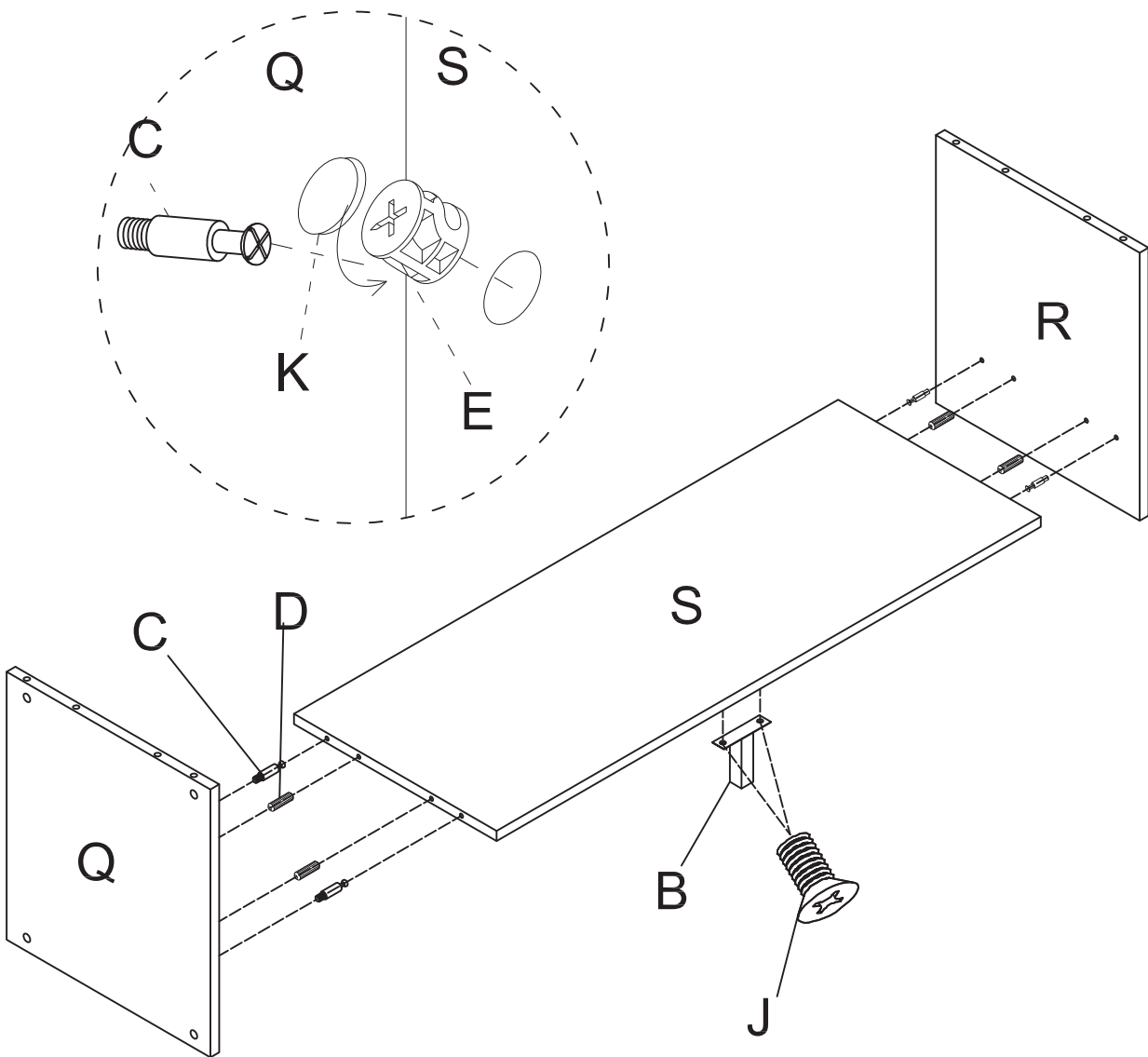
- 1 Insert Wood Dowel (D) & Cam Post (C) to all panels. Install Cam Lock (E) to Panel (O&P&T). Fasten Side Panel (O&P) to Back Panel (T), Attach the Cam Sticker (K) to Cams. If mounting on a wall, Install Mounting Board (X) to the Back Panel (T).

Note: Wood dowels must be installed into the vertical panels, not the horizontal panels. Be sure dowels are in all the way.



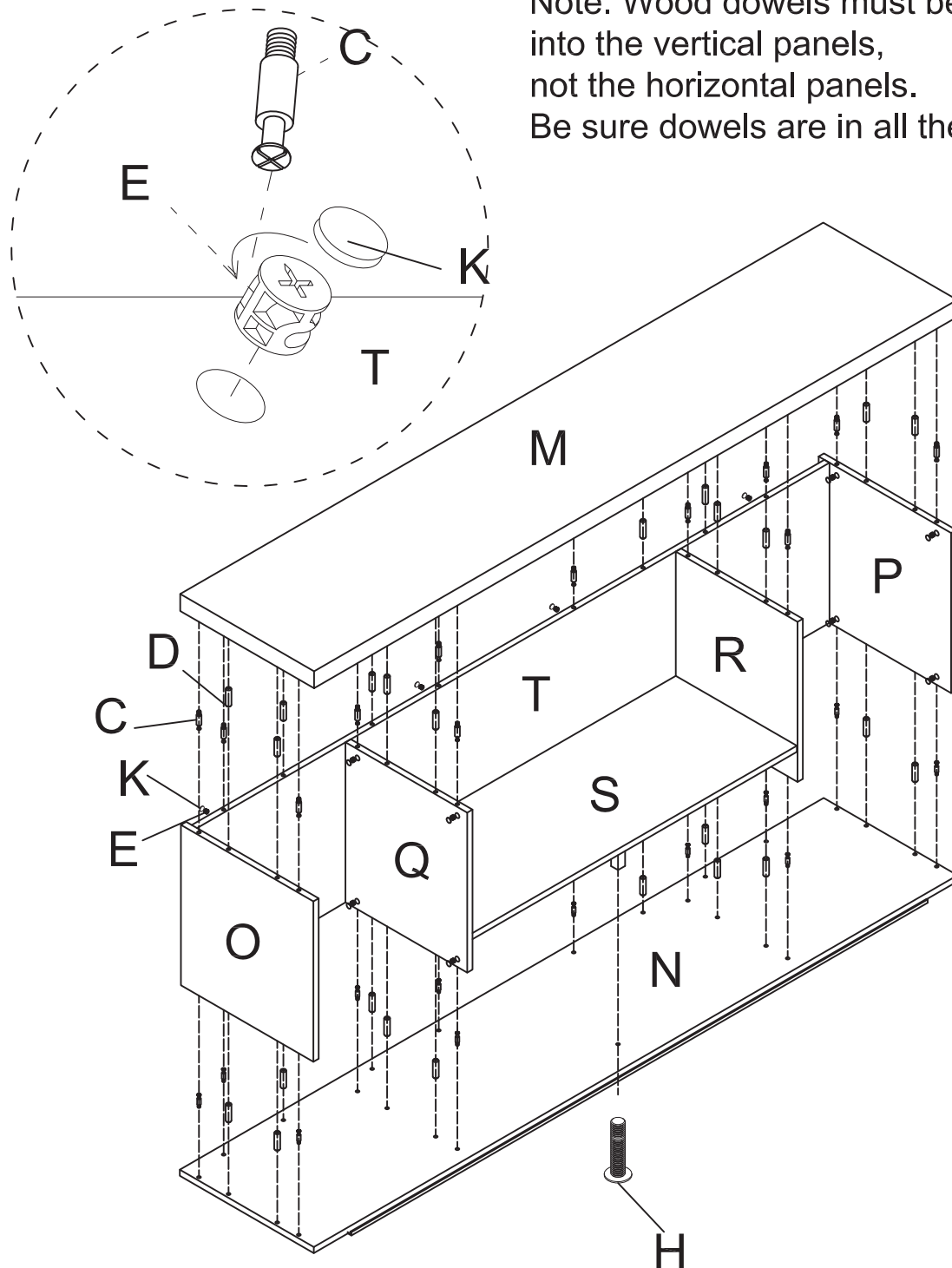
- 2** Insert Wood Dowel(D) & Cam Post (C) to the panels (Q&R&S), Install Cam Lock (E) to Panels (Q&R&S), Fasten Left / Right inside panel (Q&R) to Fixed Shelf (S). Use Screw (J) to install the T Rectangle Support Connection (B) to Fixed Shelf (S), Attach the Cam Sticker (K) to Cams;

Note: Wood dowels must be installed into the vertical panels, not the horizontal panels. Be sure dowels are in all the way.

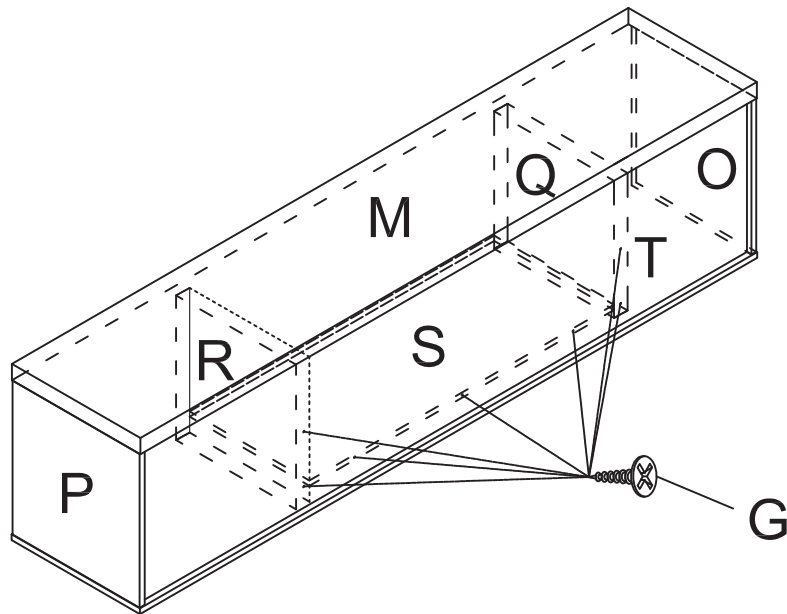


- ③ Use Wood Dowel (D), Cam Post (C) & Cam Lock (E) to fasten Top panel (M) and Bottom Panel (N) and other panels (O & P & Q & R & S & T) together. Use Screw (H) to install the T Rectangle Support Connection (B) to the Bottom panel (N), Attach the Cam Sticker (K) to Cams;

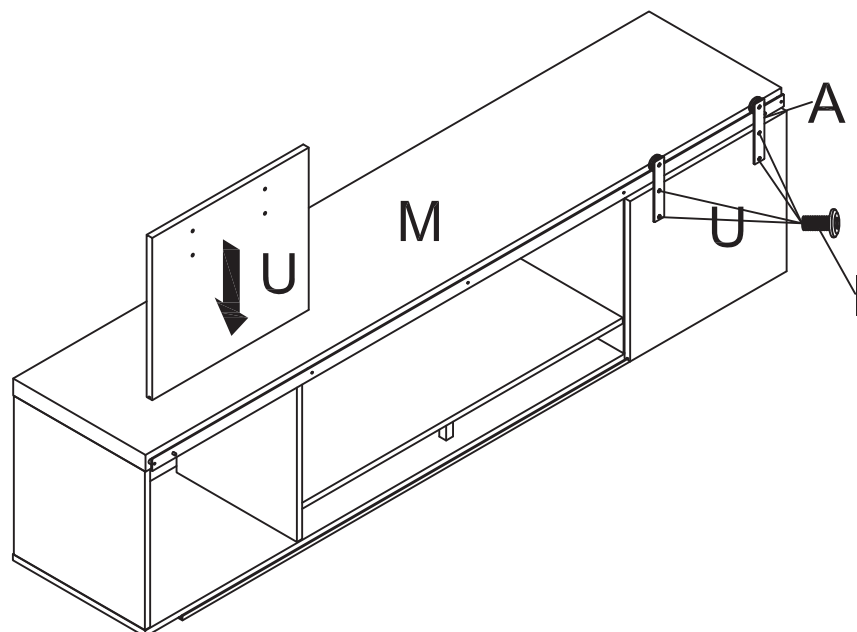
Note: Wood dowels must be installed into the vertical panels, not the horizontal panels. Be sure dowels are in all the way.



- ④ Use Screw (G) to fasten Panels (Q&R&S) to Back Panel (T);



- ⑤ Put Door Panel (U & V) between the gap of the Slide , Use Screw (I) to install the Wheel bracket(A) to Door Panel (U);



- ⑥ If you want to install the cabinet on the wall, please refer this instruction ;

Mounting Cabinet Installation - Due to the various wall construction methods, it is up to a professional installer to secure the Wall Mounting Board (V) to the wall with the proper fasteners and/or anchors as required by the wall construction at the desired mounting location. SAFCO does not take responsibility for safe, proper fastening.

To Hang Cabinet - Position cabinet so that Mounting Board (W) is above Wall Mounting Board (V), and lower cabinet until Mounting Board (W) and Wall Mounting Board (V) lock together.

