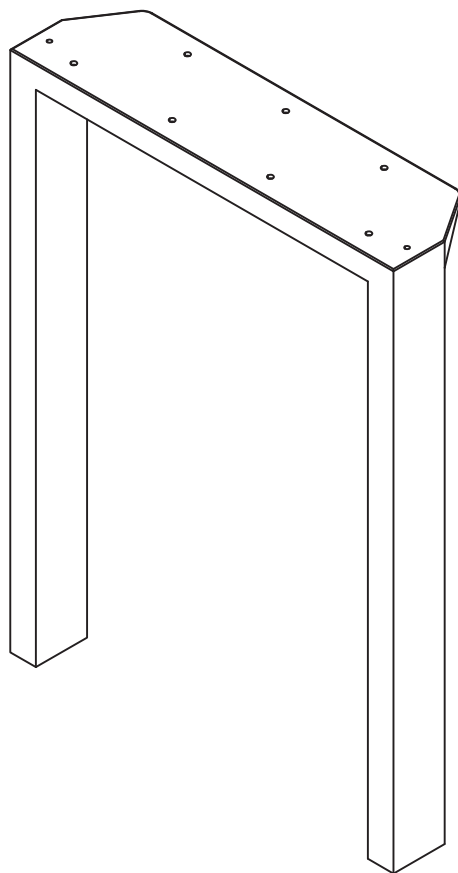


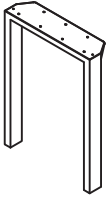
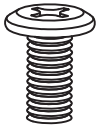
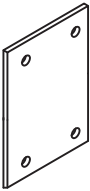
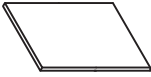
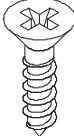
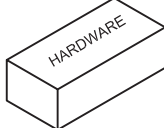



Mirella Series
Hutch Supports Metal
Model No. MRHTHS



For questions or concerns, please call 1-888-971-6225 available
Monday-Friday 7:30 AM to 5:00 PM (Central Time)
(English-speaking operators)

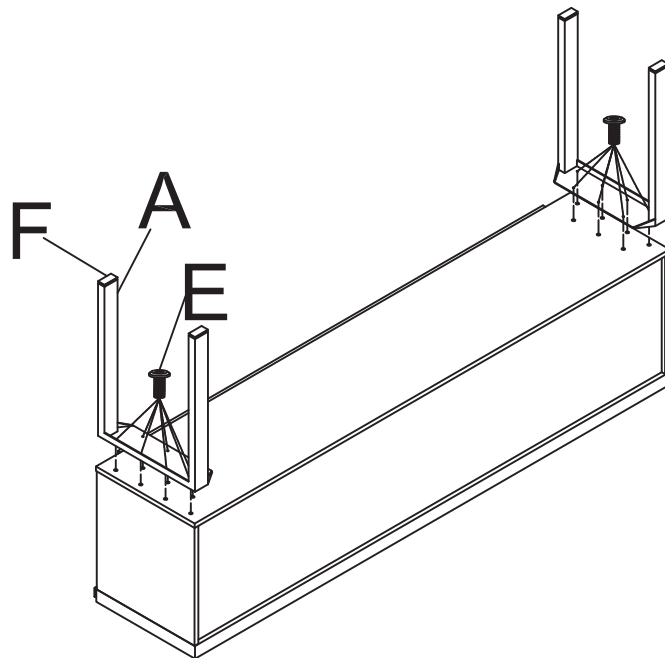
PARTS LIST

Name	Part	Qty.	Spare Qty	Name	Part	Qty.	Spare Qty
A		2		E	 M6*15mm	14	1
B	 60*50*3mm	2		F	 Plastic mat	4	
C	 M4*16mm	4	1		 MRHTSHB		
D	 M4.2*16mm	4	1				

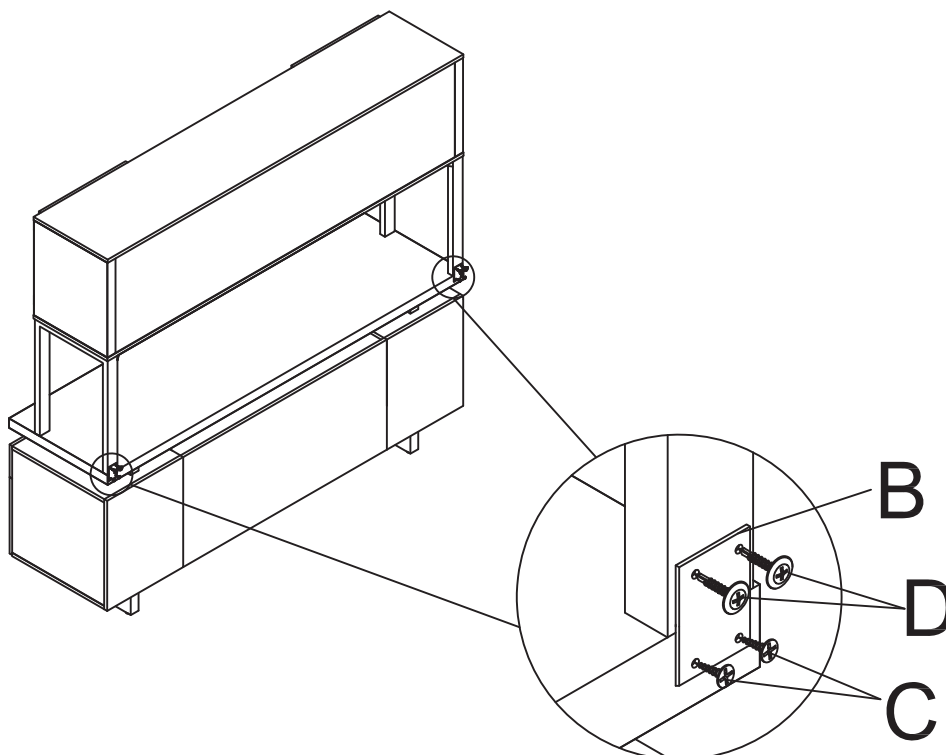
IMPORTANT!

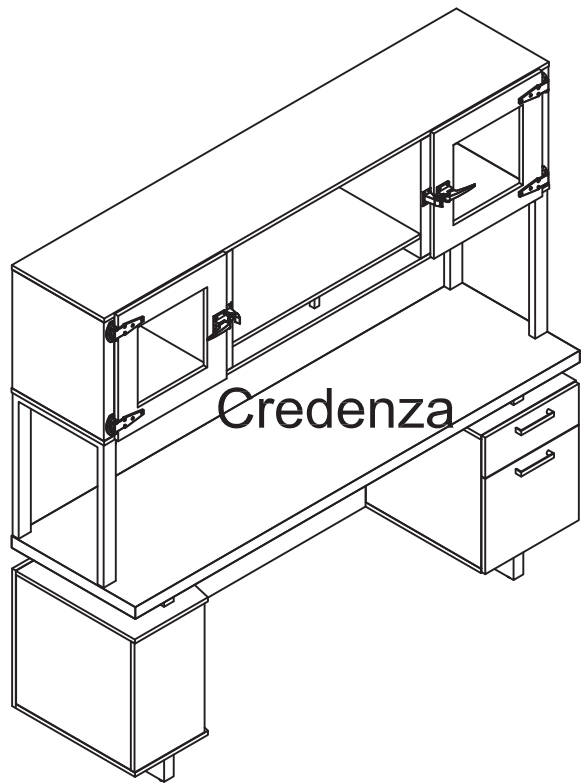
Review ALL instructions before beginning assembly. These instructions are provided to avoid problems that may occur from improper assembly or installation. SAFCO and/or its distributor are not responsible for failure resulting from improper assembly or installation of this product. Moreover, all warranties are void for failure to follow these assembly instructions.

- ① Use Screw (E) to install the Leg (A) to Bottom Panel, Adhere the Plastic Mat (F) on the bottom of the Metal Leg (A);

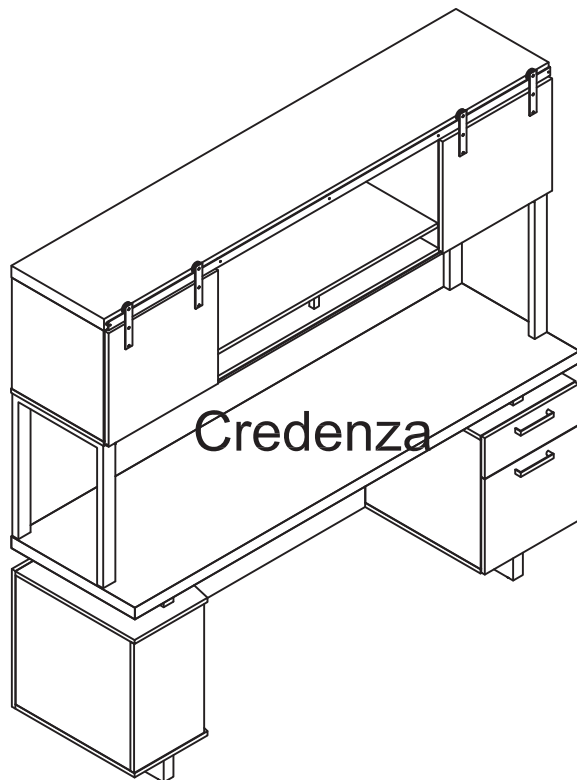


- ② Use screw (C&D) Connell Bracket (B) and the credenza.





Credenza



Credenza