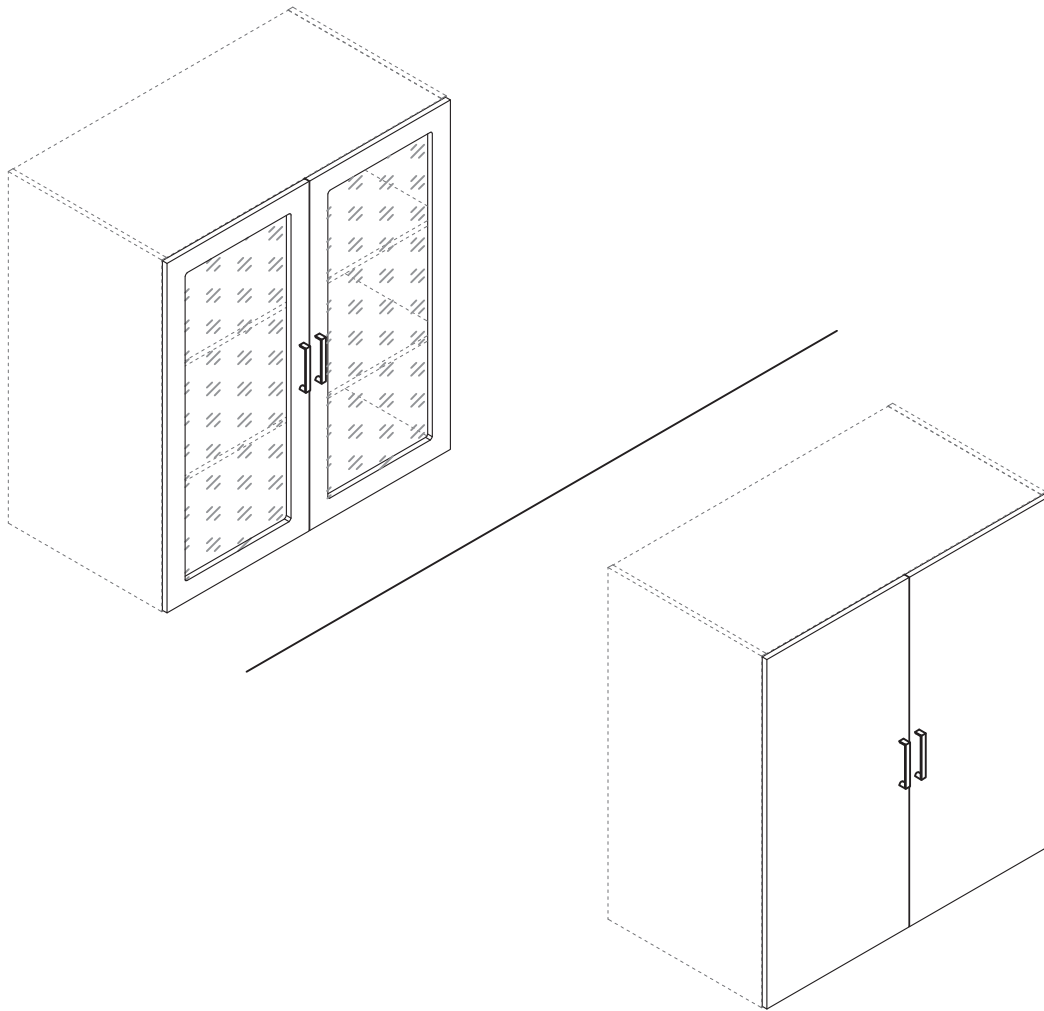


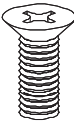
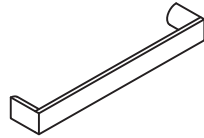



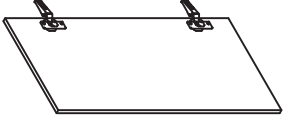
Mirella Series
Display Cabinet Case Doors
Model No. MRGD & MRWD



For questions or concerns, please call 1-888-971-6225 available
Monday-Friday 7:30 AM to 5:00 PM (Central Time)
(English-speaking operators)

PARTS LIST

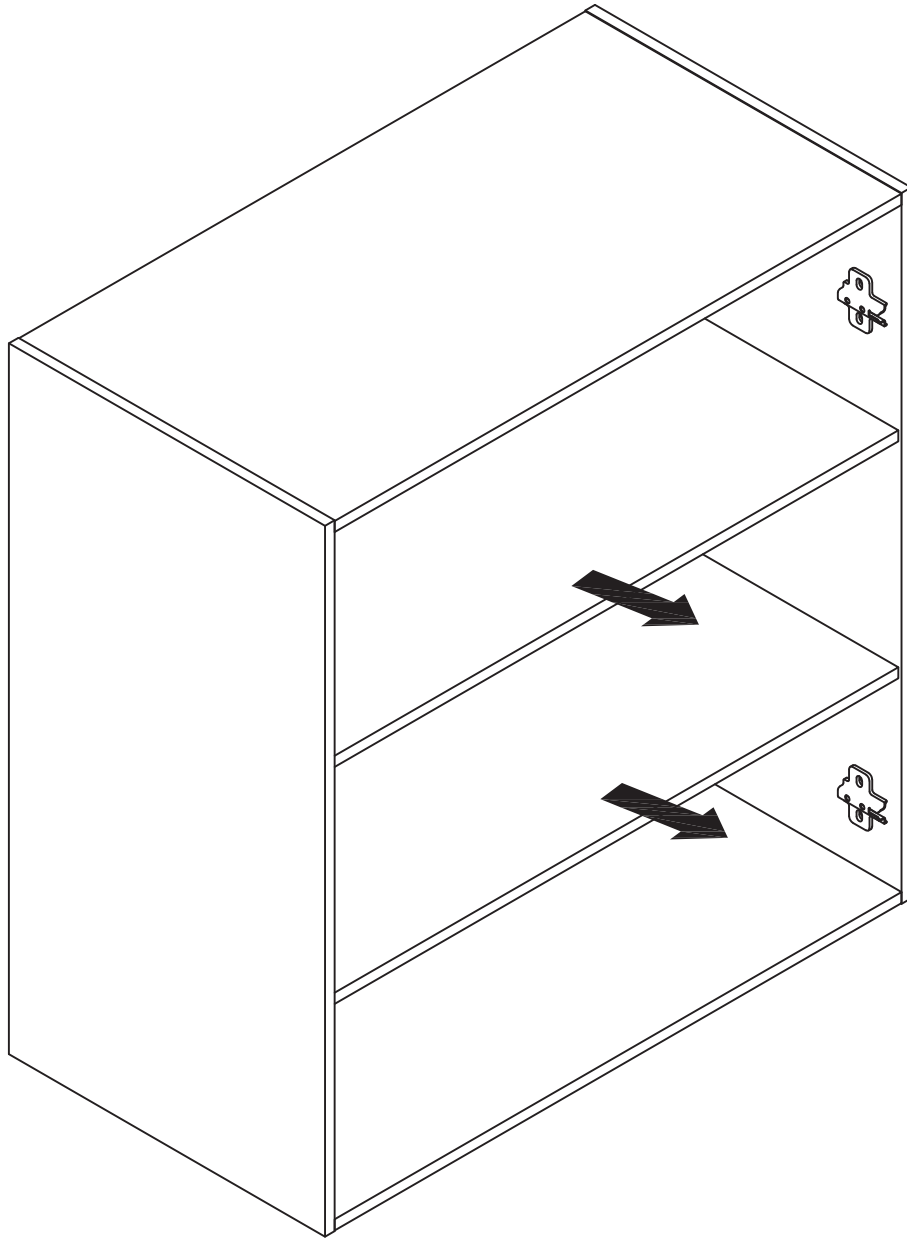
Name	Part	Qty.	Spare Qty
A	 M4x22mm	4	1
B	 Handle	2	

Name	Part	Qty.
C	 Glass Door	2
	or  Wood Door	

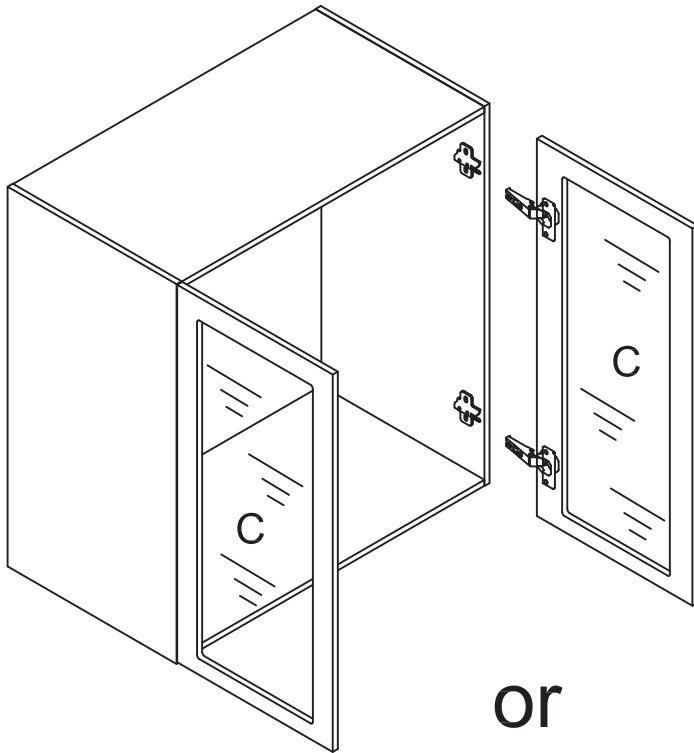
IMPORTANT!

Review ALL instructions before beginning assembly. These instructions are provided to avoid problems that may occur from improper assembly or installation. SAFCO and/or its distributor are not responsible for failure resulting from improper assembly or installation of this product. Moreover, all warranties are void for failure to follow these assembly instructions.

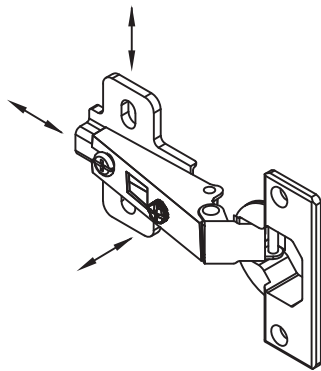
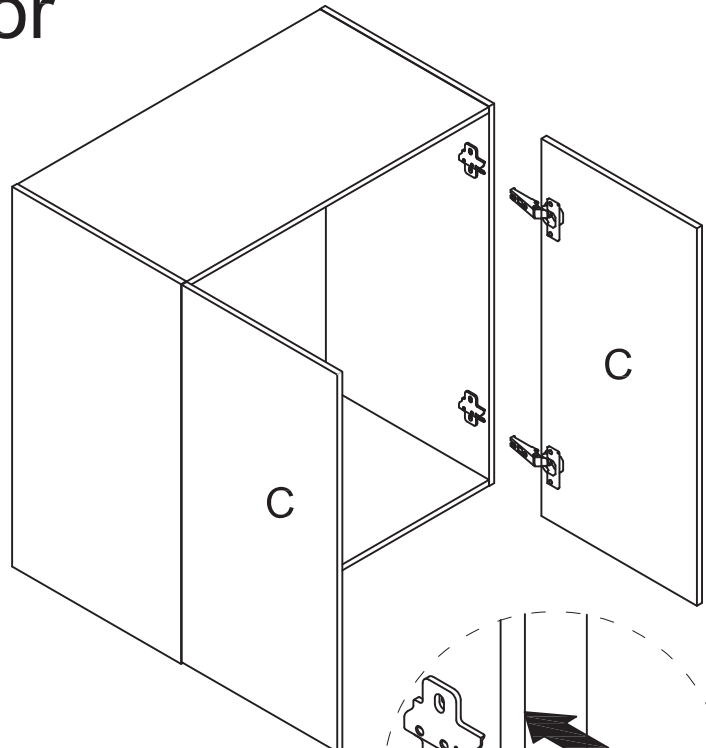
1 Take out the Shelf Panels;



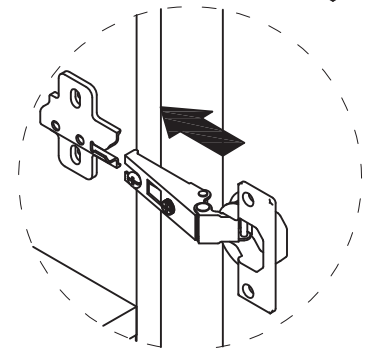
2 Attach the Door (C) to the Hinge Plate;



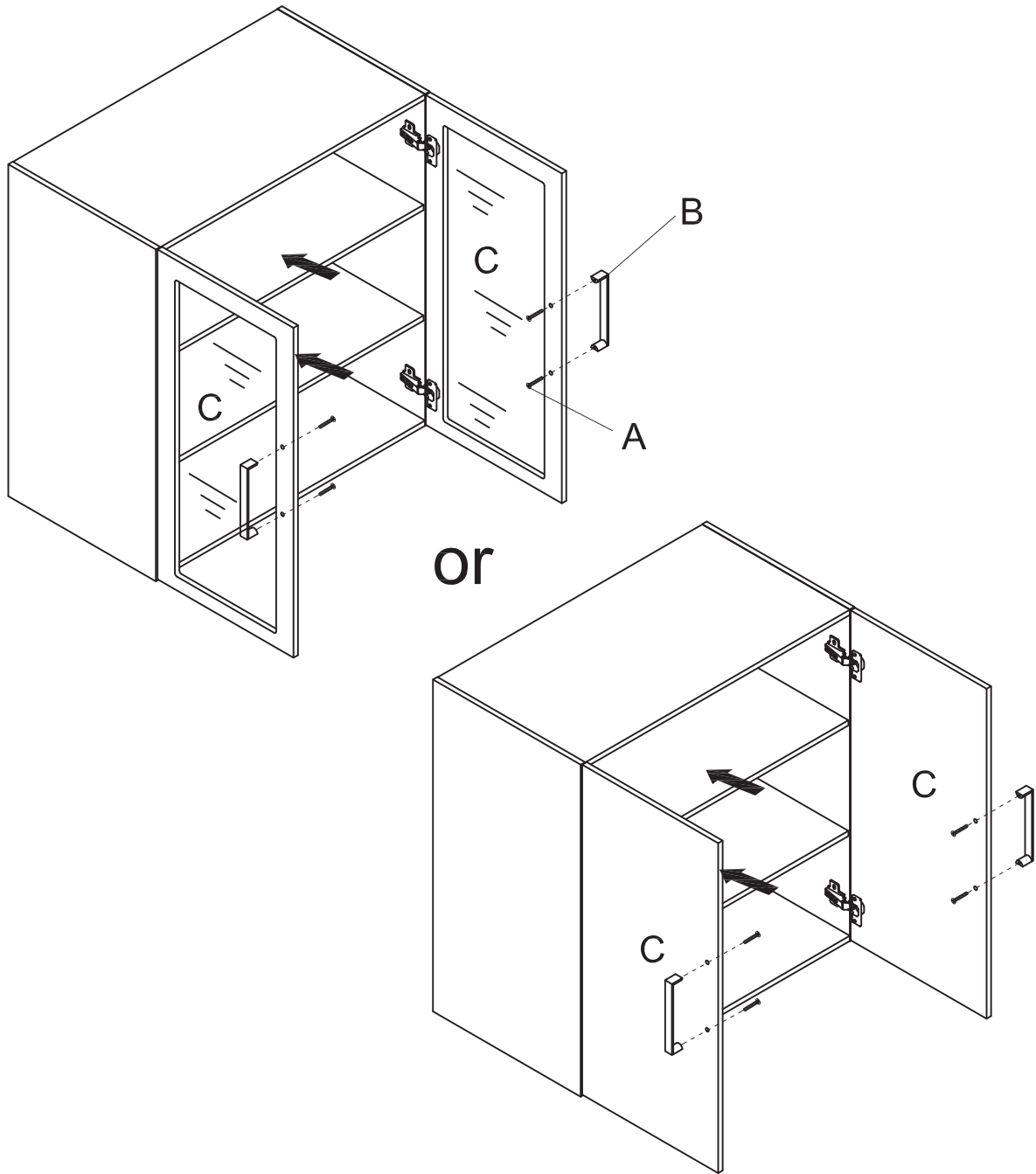
or



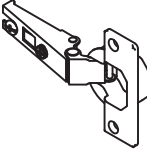
Note: Adjust door alignment as necessary by using the adjustment screws on the hinges.




3 Use the Screw (A) to install the Handle (B) on the Door.



Pre-Installed Replacement Parts List

Part	Included Qty.
 Hinge-Overlay	4

Part	Included Qty.
 Ø4X14mm White	16