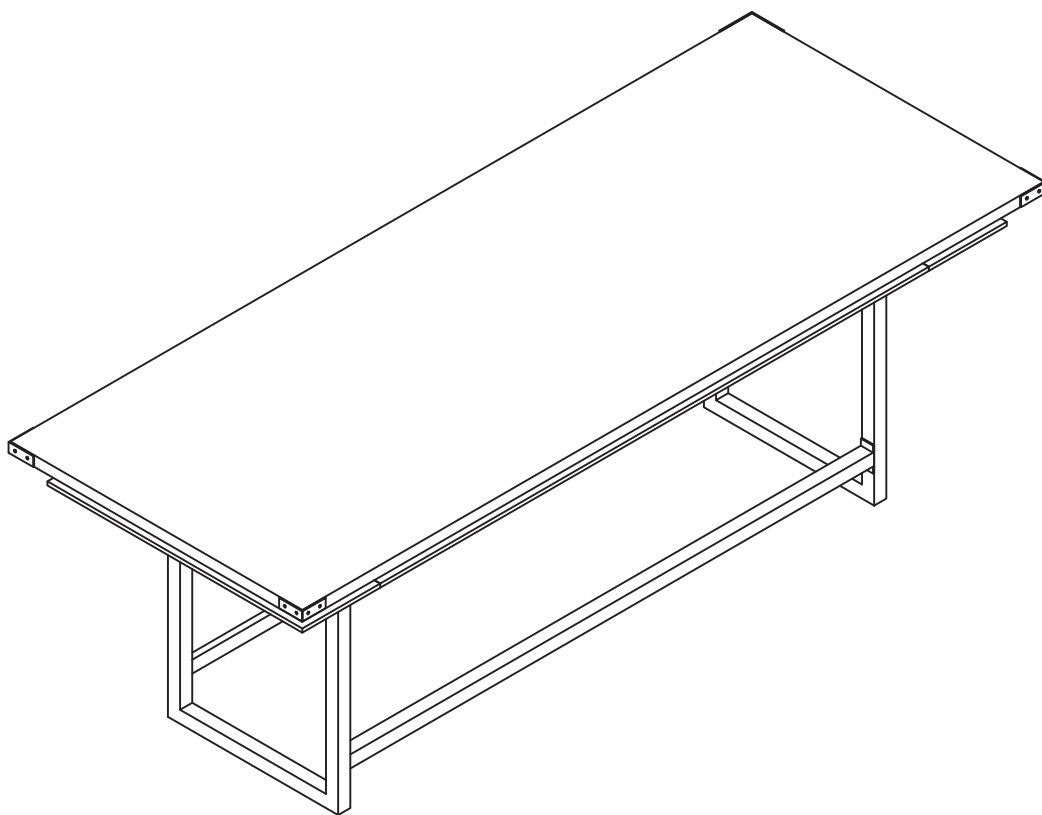


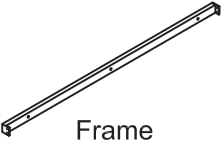
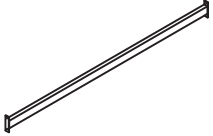

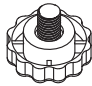

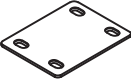
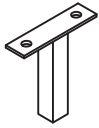








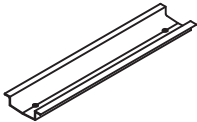

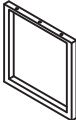
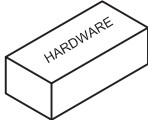
Mirella Series  
96" Standing Conference Table  
Model No. MRCH8



For questions or concerns, please call 1-888-971-6225 available  
Monday-Friday 7:30 AM to 5:00 PM (Central Time)  
(English-speaking operators)

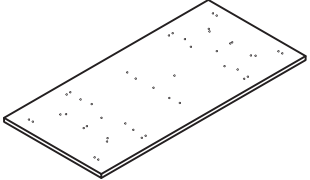
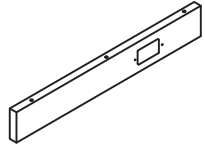
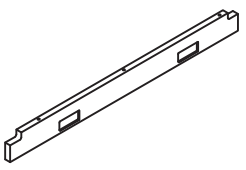
# PARTS LIST

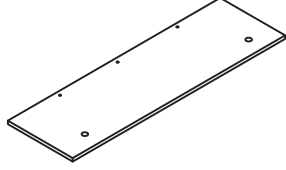
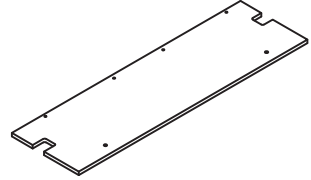
Name	Part	Qty.	Spare Qty
A	 Frame	4	
B	 Foot Rest	2	
C	 Stand-off Ø20x76	4	
D	 Leveler	4	
E	 100*100*38*4mm	4	
F	 60*50*3mm	4	
G	 60*20*100mm	8	
H	 Cam Post	26	1
I	 Cam Lock	26	1

Name	Part	Qty.	Spare Qty
J	 Cam Sticker	26	2
K	 M6*15mm	32	1
L	 M4*16mm	32	2
M	 M6*35mm	26	1
N	 570mm	2	
O	 M4.2*16mm	8	1
P	 Leg	2	
	 MRCH8HB		

Items with HB are in hardware box.

# PARTS LIST

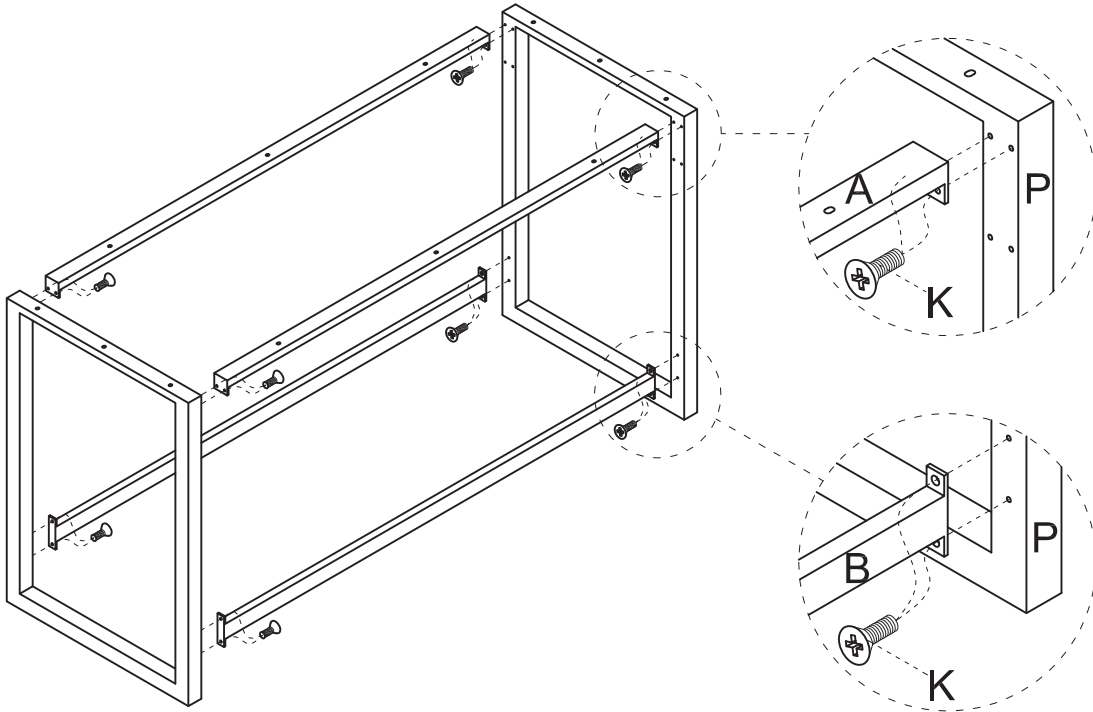
Name	Part	Qty.
Q	 Top Panel	1
R	 Short Modesty Panel	2
S	 Long Modesty Panel	2

Name	Part	Qty.
T	 Short Fixed Shelf	2
U	 Long Fixed Shelf	2

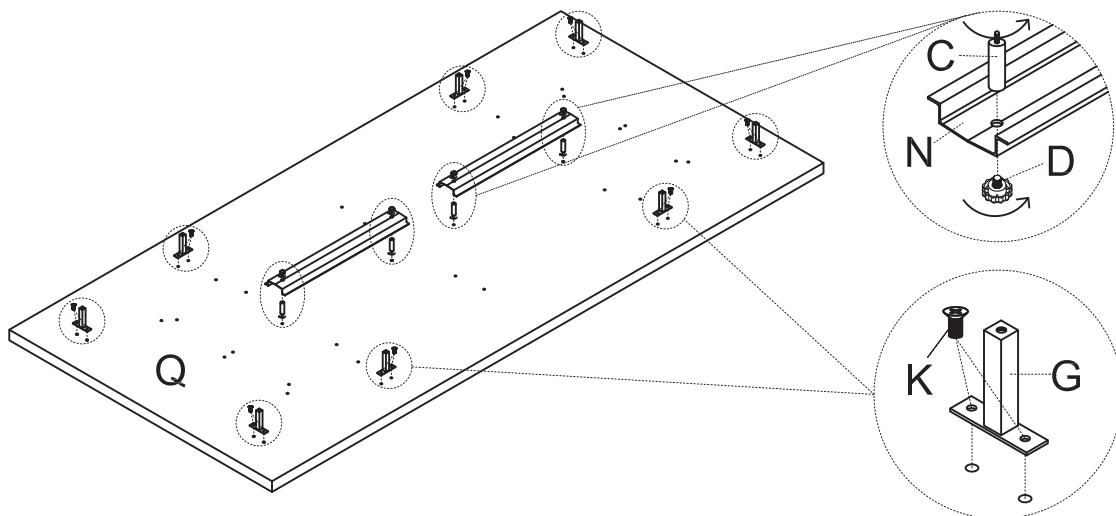
## IMPORTANT!

**Review ALL instructions before beginning assembly.** These instructions are provided to avoid problems that may occur from improper assembly or installation. SAFCO and/or its distributor are not responsible for failure resulting from improper assembly or installation of this product. Moreover, all warranties are void for failure to follow these assembly instructions.

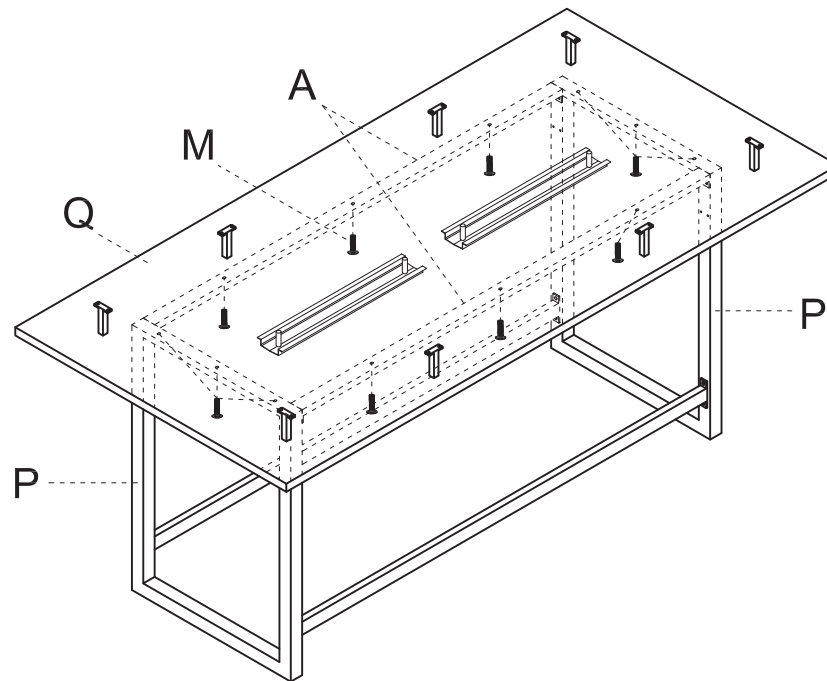
- 1** Use the Screw (K) to connect the Legs (P) and the Frame (A&B) together;



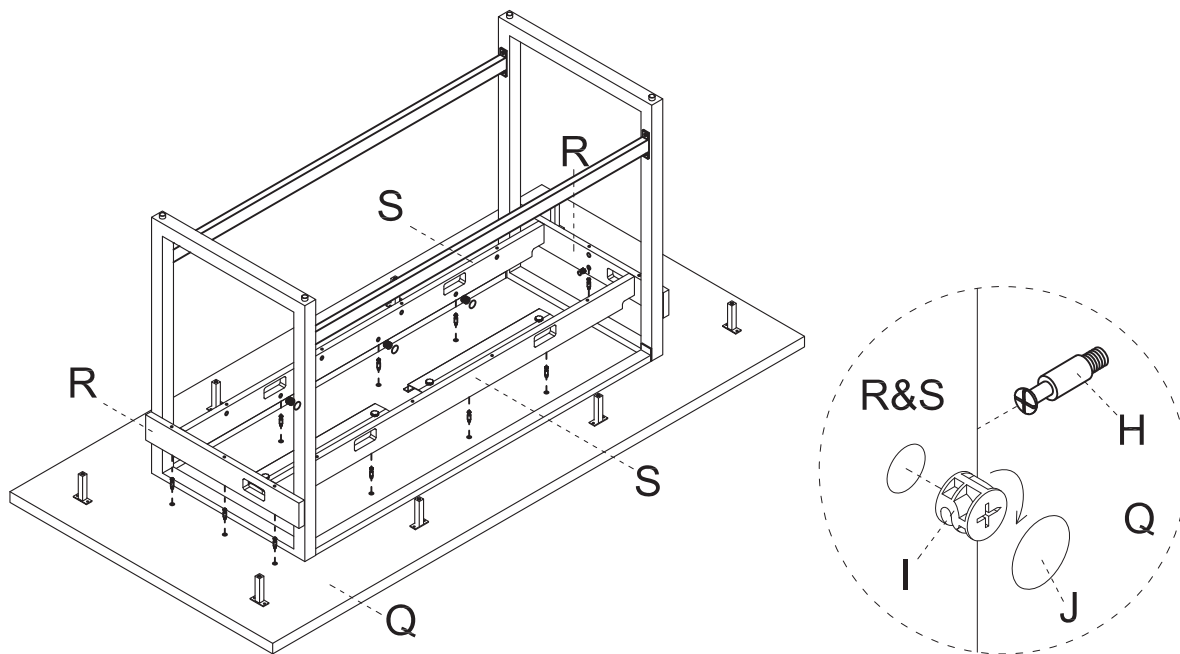
- 2** Install the T Support (G) and the Stand-off (C) to the Top (Q), Use the Levelers (D) to install the Wire Management Tray (N) to the Stand-off (C);



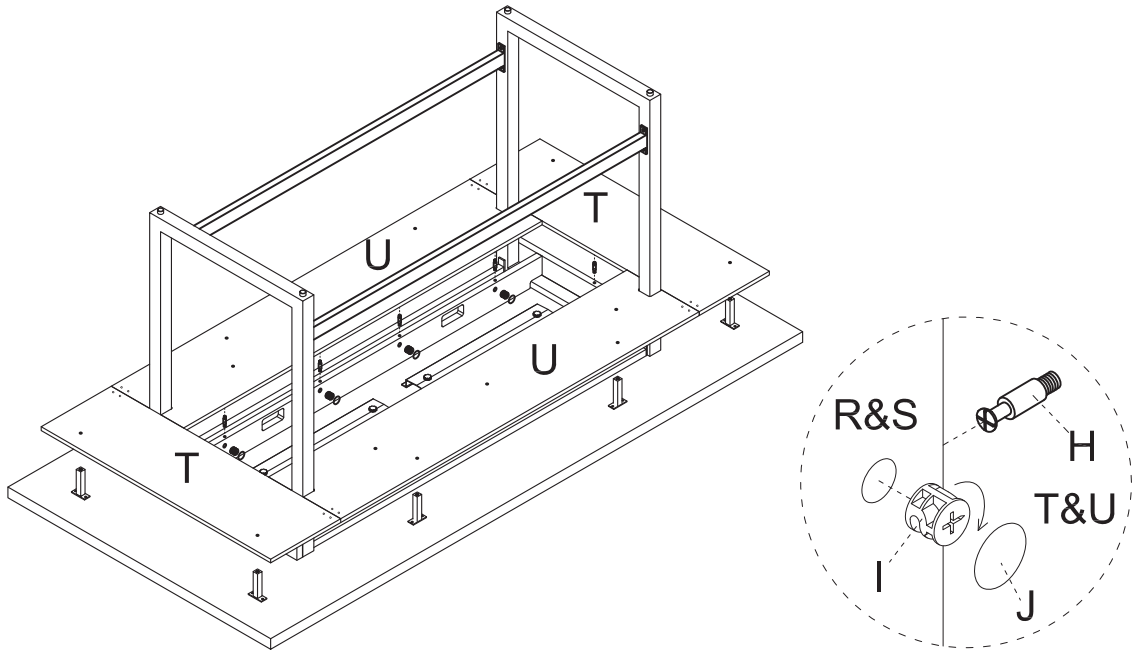
- 3** Use the Screw (M) to connect the Legs (P) and the Frame (A) to the Top (Q);



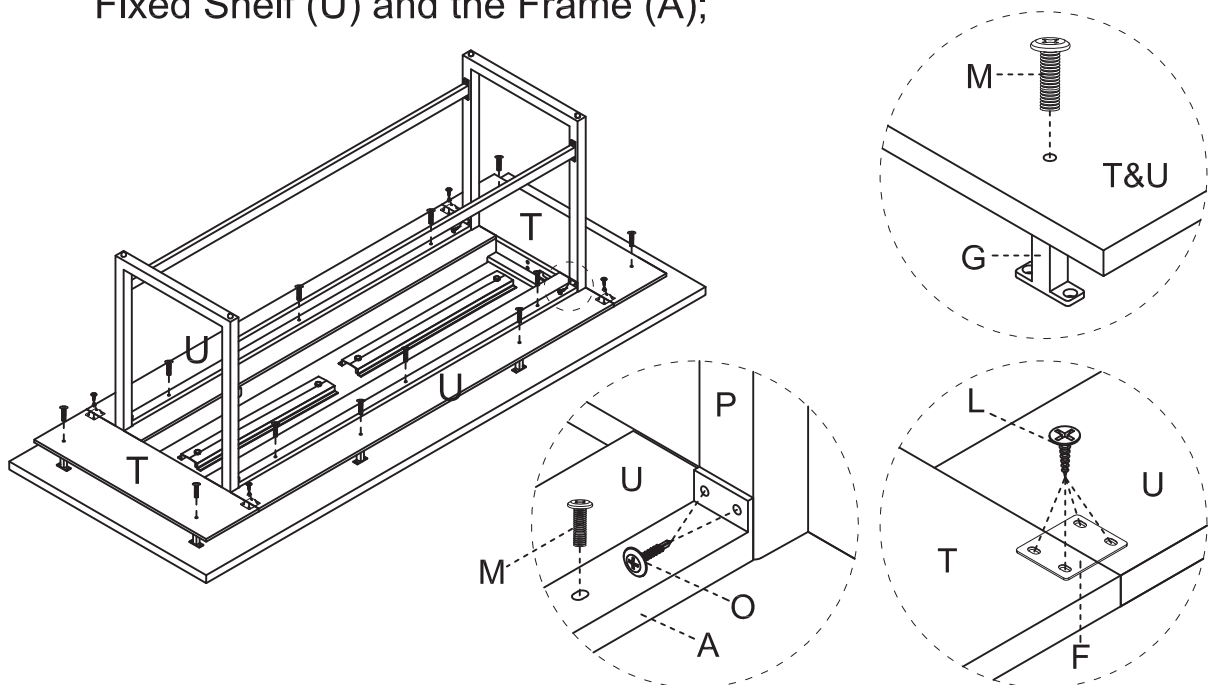
- 4** Insert the Cam Post (H) to the Top Panel (Q), Install the Cam Lock (I) on the Modesty Panel (R&S), Fasten the Cam Lock , Attach the Cam Sticker (J) to the cams;



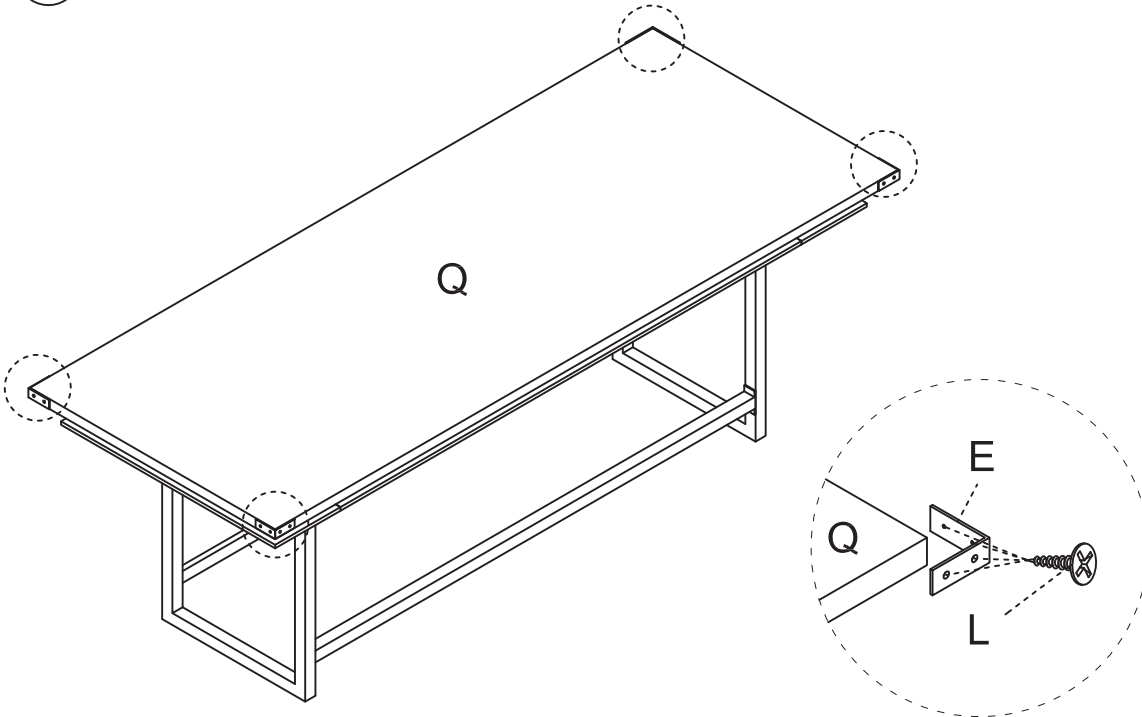
- 5** Insert the Cam Post (H) to the Fixed Shelf (T&U), Install the Cam Lock (I) on the Modesty Panel (R&S), Fasten the Cam Lock , Attach the Cam Sticker (J) to the cams;



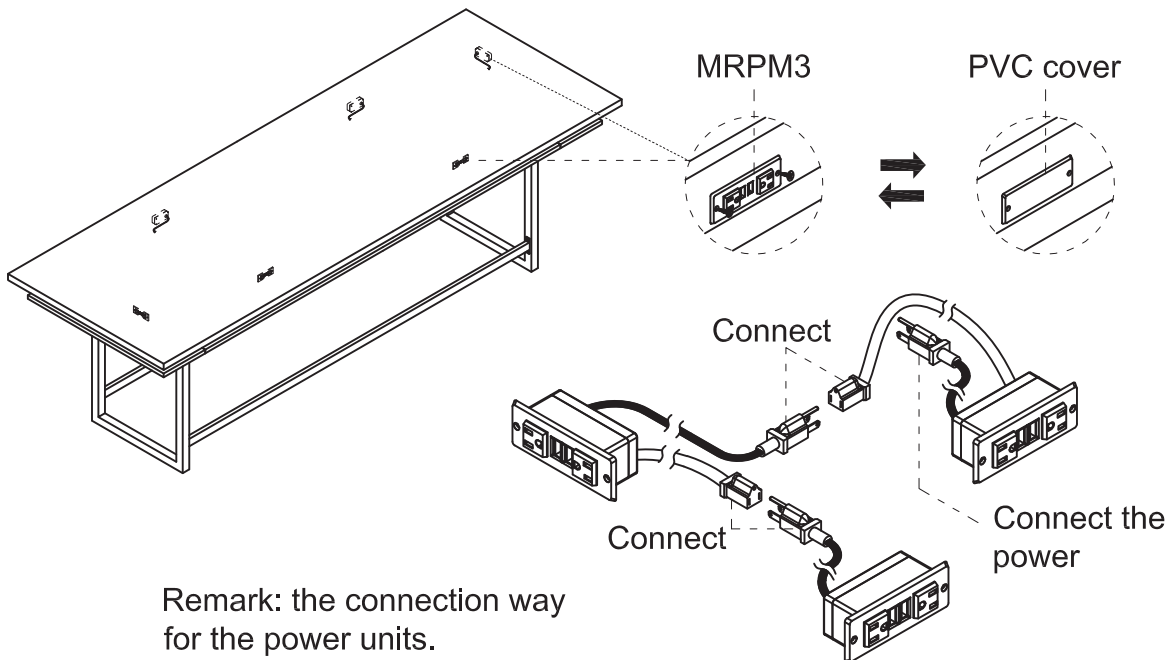
- 6** Use the Screw (M) to connect the T Support (G) and the Fixed Shelf (T&U); Use the Screw (L) to connect the Metal Plate (F) and the Fixed Shelf (T&U); Use the Screw (O) to connect the Leg (P) and the Frame (A); Use the Screw (M) to connect the Fixed Shelf (U) and the Frame (A);



- 7** Use the Screw (L) to connect the Bracket (E) to the Top Conner;



- 8** Remove the PVC cover, then use Screw to install the power unit (MRPM3) to the cutout if you chose the Power Unit; (The power unit is optional part, if you did not choose the power unit, please ignore this step)



Remark: the connection way for the power units.

