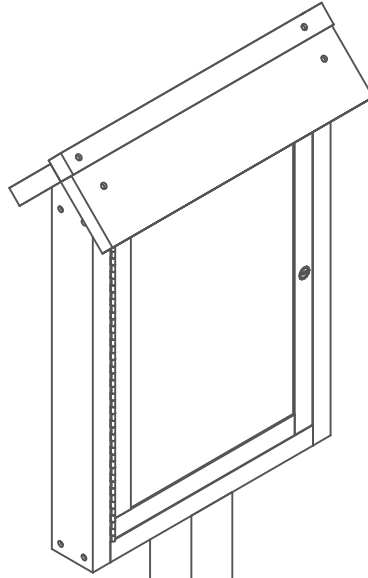


Small Message Center One-Sided

For Fastener Pack
(FP-SMC-1S1P6-CU-03)



Congratulations !!

You have just purchased the finest recycled plastic
message center available. Enjoy !!!

FS-SMC-1S1P6-CAP-03

Before assembly, please make sure all components are included.

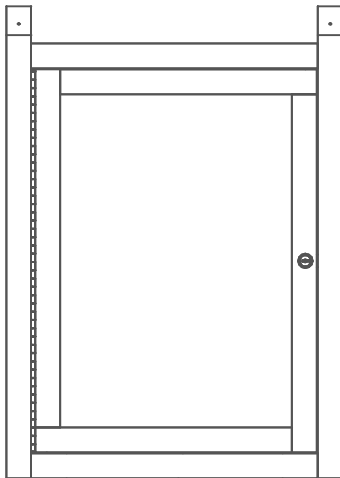


(1) - One Fastener Pack
FP-SMC-1S1P6-CU-03

(1) - One Post
MP-SMC-P6-02



(1) - One Message Center
MCSA-SMC-1S1P-03



(1) - One - Roof Sub-Assembly
MCSA-SMC-R-01



(1) - One - 1-1/4" x 5" Roof Board
MP-SMC-RB-01

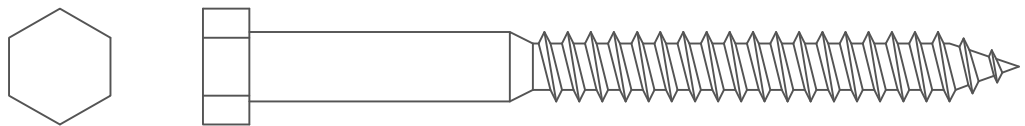


Before assembly, please make sure all fasteners are included.

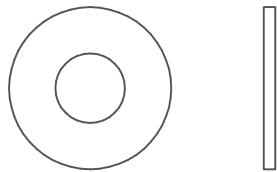
6 - #12 x 2 1/2" Flat Head Phillips Screw



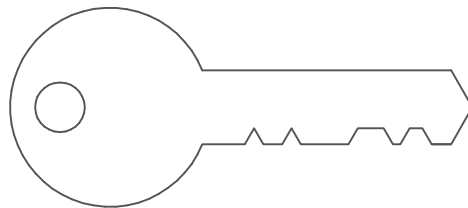
2 - 3/8" x 4" Hex Head Lag Bolt



2 - 3/8" Flat Washer



1 - Set of 2 Keys



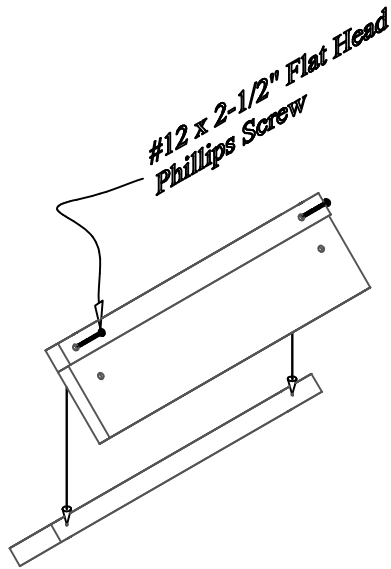
Also needed for this assembly will be the following materials:

1 - 9/16" Socket Wrench

1 - #3 Phillips Drive Bit

*****DO NOT OVER-TIGHTEN SCREWS.*****

Plastic expands and contracts with changes in temperature, and over-tightening will result in cracked boards over time.

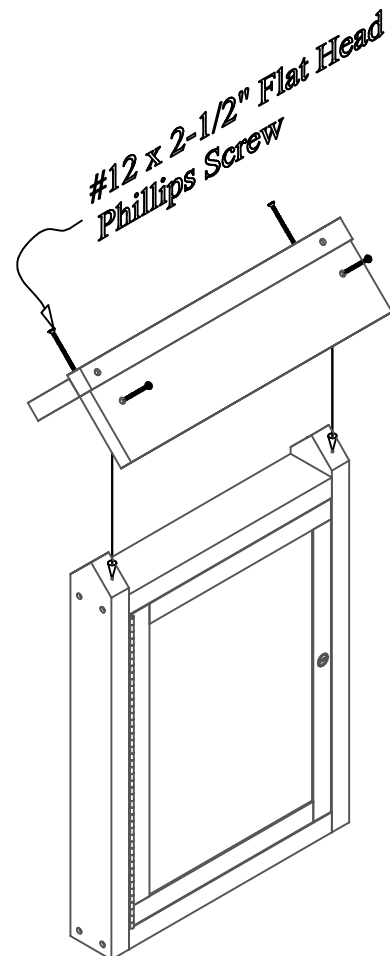


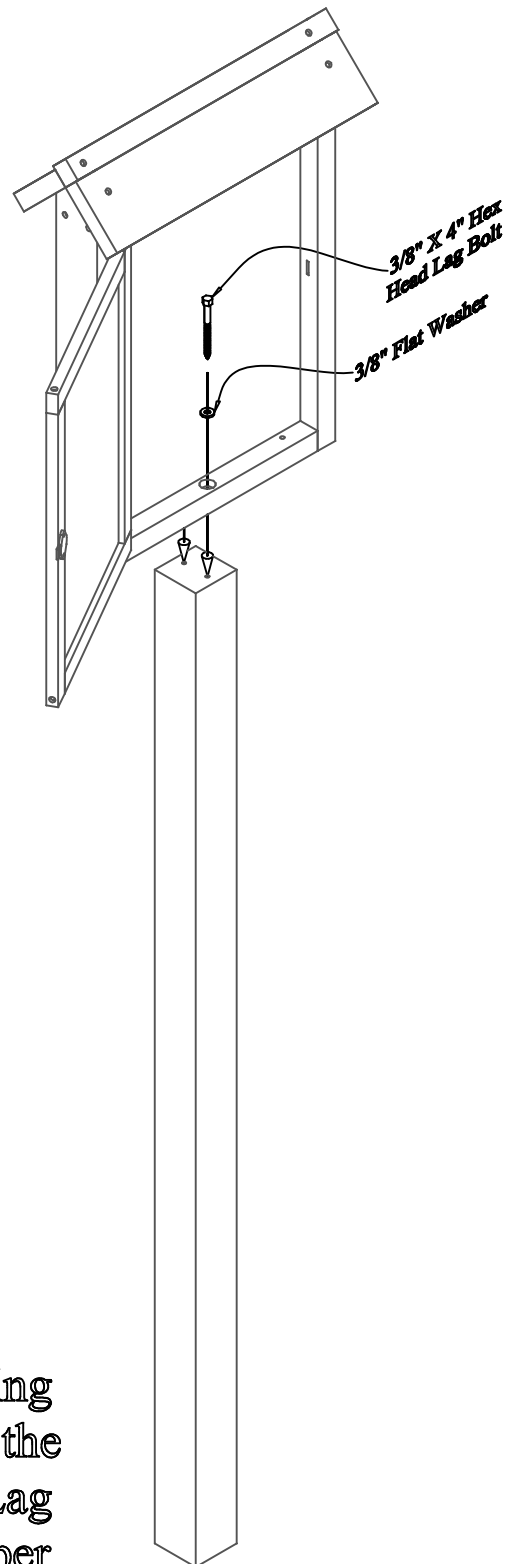
Step #1

Align the pre drilled holes in the Roof Sub-Assembly with the pilot holes on the 1-1/4" x 5" Roof Boards and fasten them together with (1) - one #12 x 2-1/2" Flat Head Screw per aligned hole.

Step #2

Align the pre drilled holes in the Roof Assembly with the pilot holes on the Message center and fasten them together with (1) - one #12 x 2-1/2" Flat Head Screw per aligned hole.





Step #3:

Open the access door and place the Message Center on top of the Post being sure to align the pre drilled holes with the pilot holes. Place (1) - One 3/8" x 4" Lag Bolt and (1) - One 3/8" Flat Washer per hole. Secure the bolts tightly being careful not to over tighten the bolts.

DEAR VALUED CUSTOMER,

THANK YOU FOR PURCHASING THIS PRODUCT. THIS PRODUCT IS MANUFACTURED USING RECYCLED MATERIALS AND MAY HAVE SLIGHT COLOR VARIATIONS, OCCASIONAL SPECKS OF COLOR OR IRREGULAR SURFACE PATTERNS. THESE ARE NORMAL CONDITIONS OF RECYCLED PLASTICS AND MAKE EACH PIECE OF FURNITURE UNIQUE. THESE CHARACTERISTICS DO NOT AFFECT THE STRENGTH, QUALITY OR PERFORMANCE OF THE PRODUCT.

THANK YOU AGAIN FOR PURCHASING THIS PRODUCT AND HELPING OUR ENVIRONMENT.