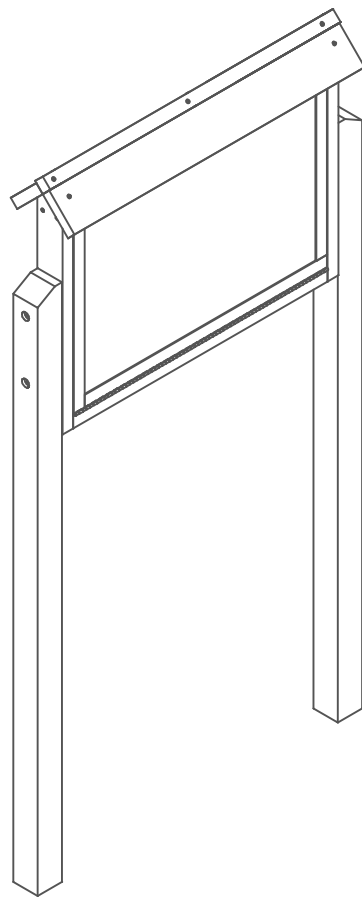


Medium Message Center Two-Sided

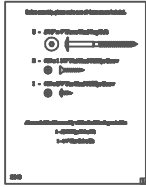
For Fastener Pack
(FP-MMC-2S2P6-CU-04)



Congratulations ! !

You have just purchased the finest recycled plastic
message center available. Enjoy ! ! !

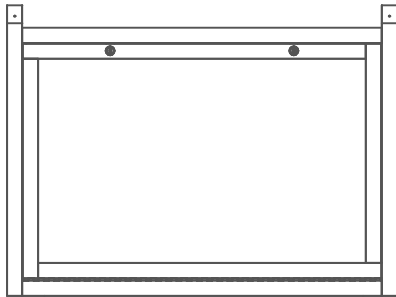
Before assembly, please make sure all components are included.



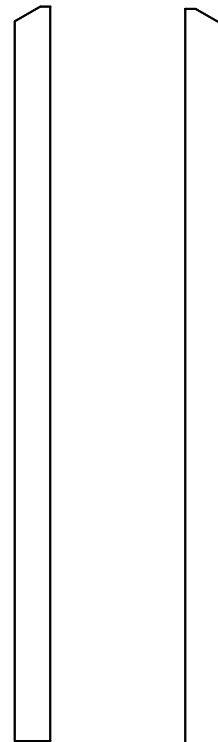
(1) - One Fastener Pack
FP-MMC-2S2P6-CU-04

FP - Fastener Pack

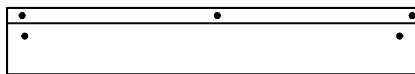
(1) - One - Message Center
MCSA-MMC-2S2P-04



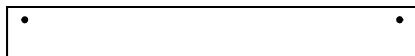
(2) - Two - Side Post
MP-LM-P6-02



(1) - One Roof Sub-Assembly
MCSA-MMC-R-01



(1) - One - 1-1/4" x 5" Roof Board
MP-MMC-RB-01

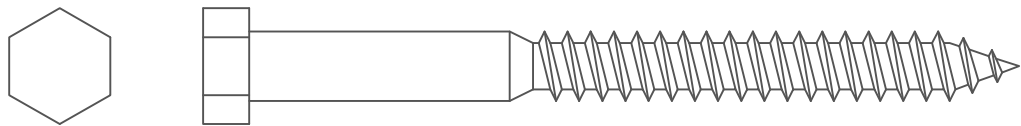


Before assembly, please make sure all fasteners are included.

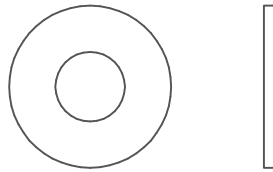
7 - #12 x 2 1/2" Flat Head Phillips Screw



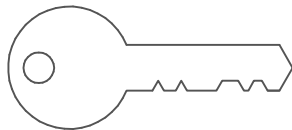
4 - 3/8" x 4" Hex Head Lag Bolt



4 - 3/8" Flat Washer



4 - Set of 2 Keys



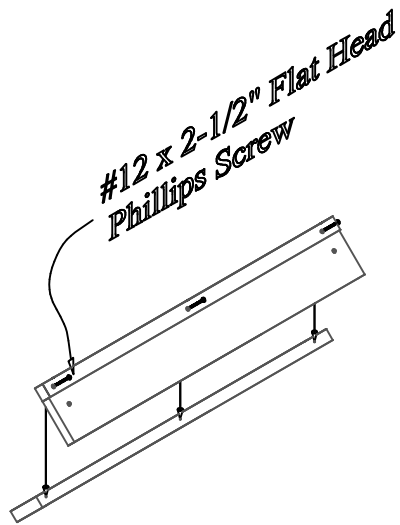
Also needed for this assembly will be the following materials:

1 - 9/16" Socket Wrench

1 - #3 Phillips Drive Bit

*****DO NOT OVER-TIGHTEN SCREWS.*****

Plastic expands and contracts with changes in temperature, and over-tightening will result in cracked boards over time.

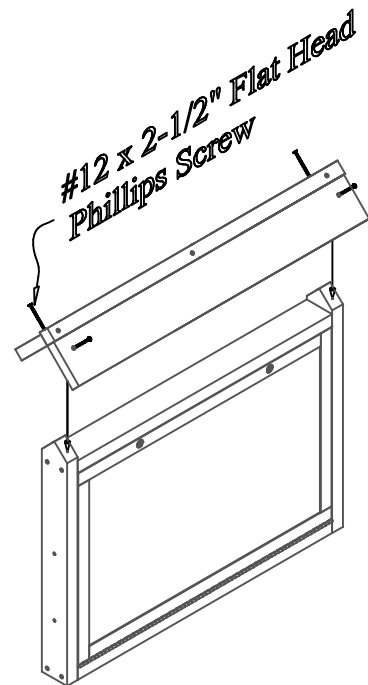


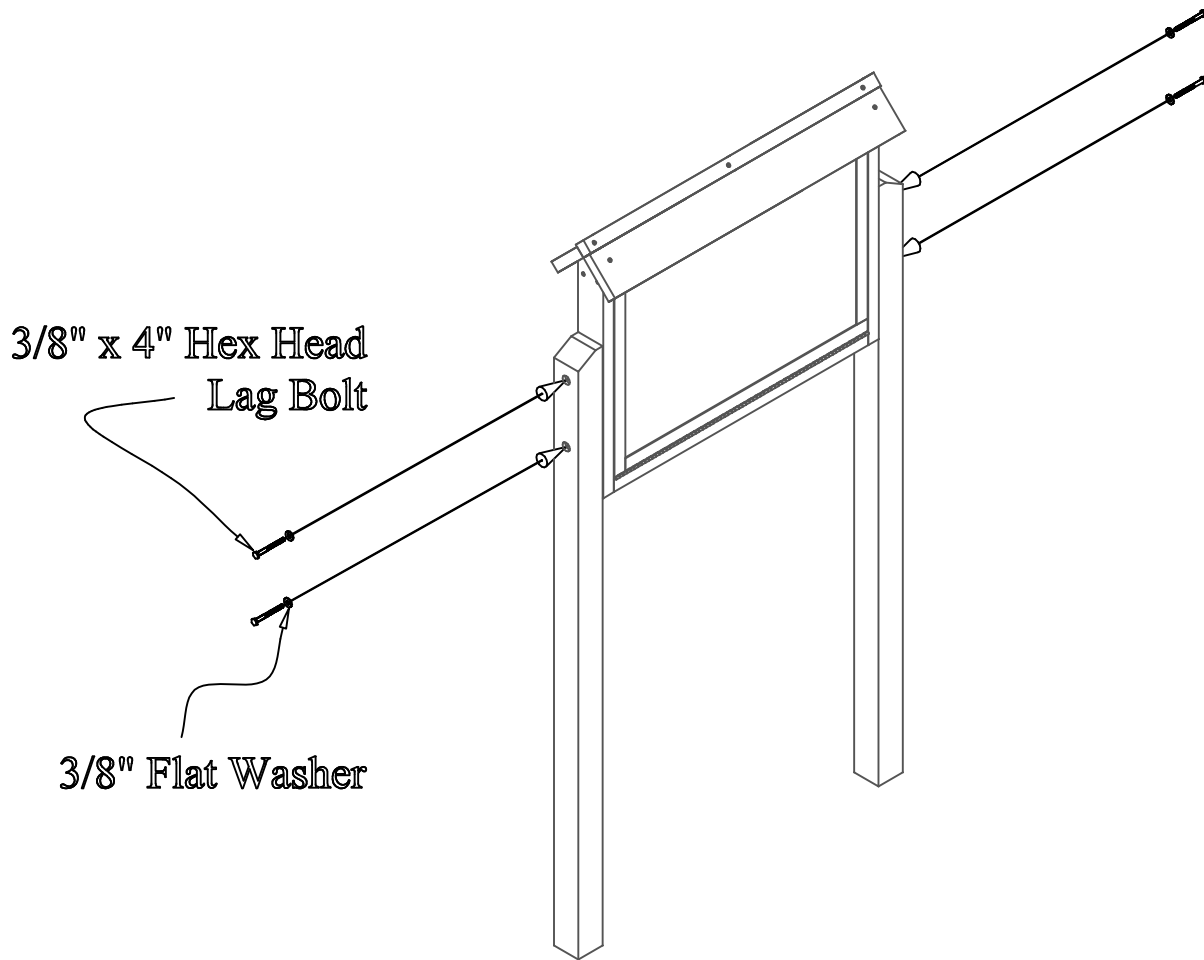
Step #1

Align the pre drilled holes in the Roof Sub-Assembly with the pilot holes on the 1-1/4" x 5" Roof Boards and fasten them together with (1) - one #12 x 2-1/2" Flat Head Screw per aligned hole.

Step #2

Align the pre drilled holes in the Roof Assembly with the pilot holes on the Message center and fasten them together with (1) - one #12 x 2-1/2" Flat Head Screw per aligned hole.





Step #3

Align the pre drilled holes in the Posts with the pilot holes on the Message center and fasten them together with (1) - one 3/8" Flat Washer & (1) - one 3/8"x 4" Hex Lag Bolt per aligned hole.

DEAR VALUED CUSTOMER,

THANK YOU FOR PURCHASING THIS PRODUCT. THIS PRODUCT IS MANUFACTURED USING RECYCLED MATERIALS AND MAY HAVE SLIGHT COLOR VARIATIONS, OCCASIONAL SPECKS OF COLOR OR IRREGULAR SURFACE PATTERNS. THESE ARE NORMAL CONDITIONS OF RECYCLED PLASTICS AND MAKE EACH PIECE OF FURNITURE UNIQUE. THESE CHARACTERISTICS DO NOT AFFECT THE STRENGTH, QUALITY OR PERFORMANCE OF THE PRODUCT.

THANK YOU AGAIN FOR PURCHASING THIS PRODUCT AND HELPING OUR ENVIRONMENT.