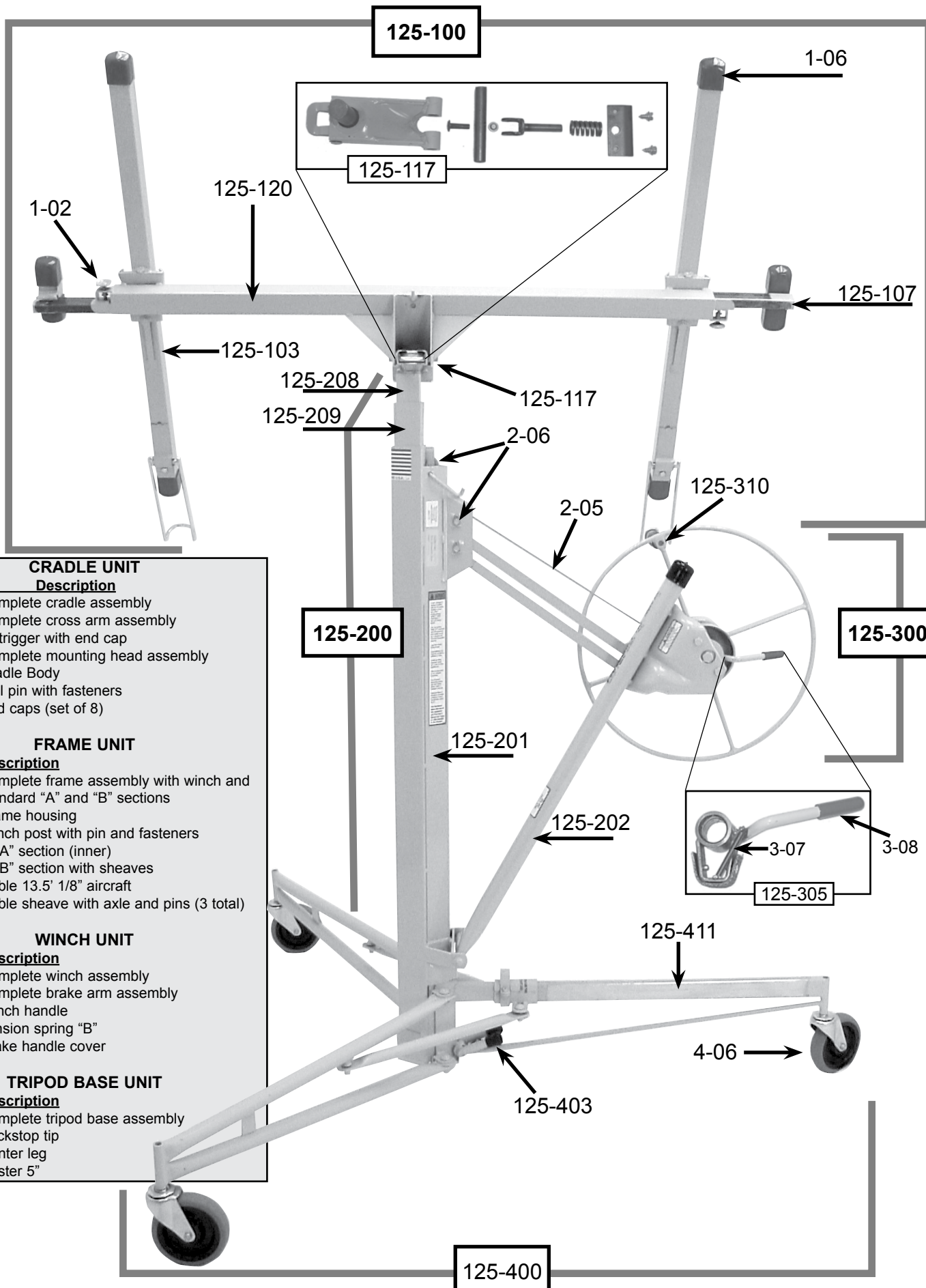


PARTS INDEX Model 125



CRADLE UNIT

Part	Description
125-100	Complete cradle assembly
125-103	Complete cross arm assembly
125-107	Outrigger with end cap
125-117	Complete mounting head assembly
125-120	Cradle Body
1-02	Pull pin with fasteners
1-06	End caps (set of 8)

FRAME UNIT

Part	Description
125-200	Complete frame assembly with winch and standard "A" and "B" sections
125-201	Frame housing
125-202	Winch post with pin and fasteners
125-208	4' "A" section (inner)
125-209	4' "B" section with sheaves
2-05	Cable 13.5' 1/8" aircraft
2-06	Cable sheave with axle and pins (3 total)

WINCH UNIT

Part	Description
125-300	Complete winch assembly
125-305	Complete brake arm assembly
125-310	Winch handle
3-07	Tension spring "B"
3-08	Brake handle cover

TRIPOD BASE UNIT

Part	Description
125-400	Complete tripod base assembly
125-403	Backstop tip
125-411	Center leg
4-06	Caster 5"