

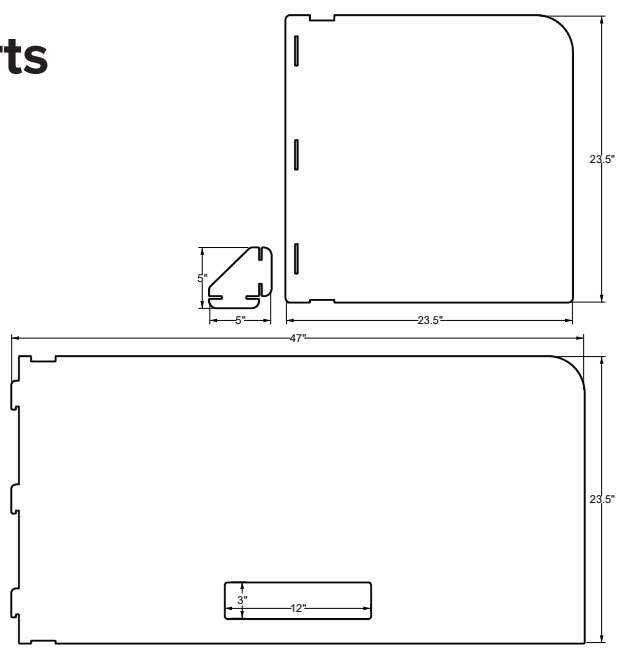
Protective Safety Barrier

Assembly & Care Instructions

SG2058

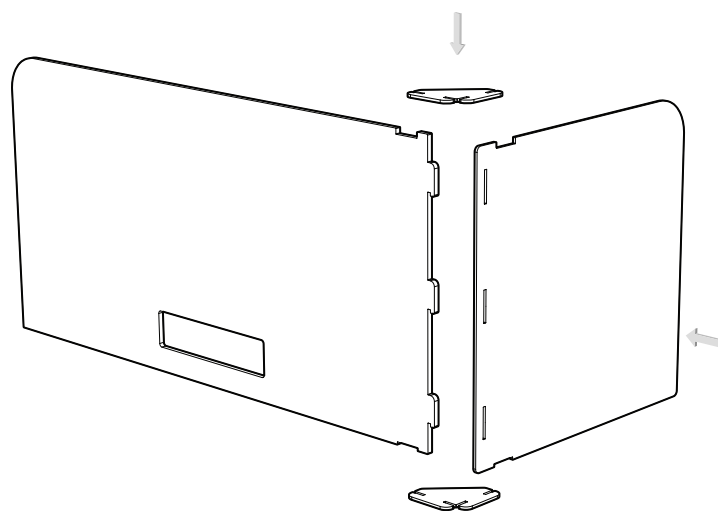
Product Parts

Barrier (x1)
End Cap (x1)
Bracket (x2)



How to Set-Up Your Safety Barrier

Insert the end cap onto the side of the barrier with hooks. Place one bracket on each corner where the end cap and barrier meet. Make sure that each bracket is pushed all the way into place.



How to Clean Your Safety Barrier

1. Clean Safety Barrier surface with Soap and Water or disinfectant detergent.
2. Spray detergent on a Soft Cloth or a Microfiber Cloth.
3. Apply mild pressure to wipe.

DO NOT USE cleaners or disinfectants containing **Ammonia, Bleach or Alcohol**, this may crack or fog the clear acrylic.