

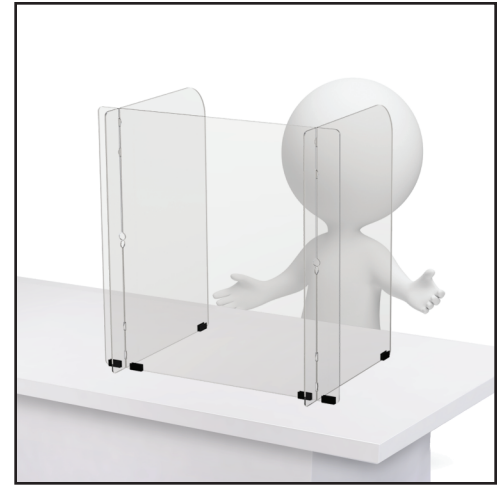
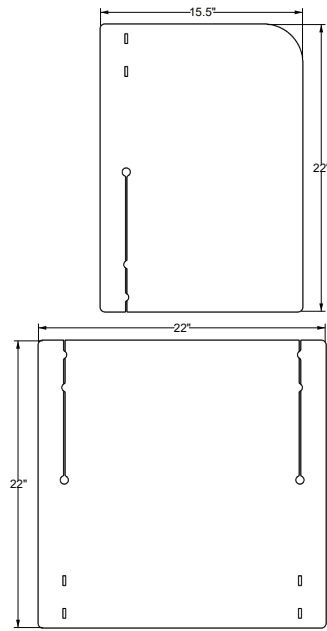
# Protective Safety Barrier

## Assembly & Care Instructions

SG3051

### Product Parts

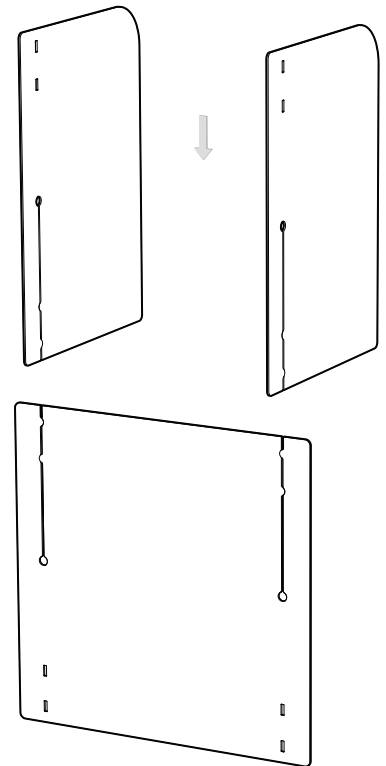
- Front Panel (x1)
- Side Panel (x2)
- Rubber Feet (x6)



### How to Set-Up Your Safety Barrier

Insert one side panel into the slots of the front panel at a 45° angle. Bend the strips on the sides very slightly for easier insertion.

Push all the way down until the top and bottom are flush and make sure each of the notches locks into place. Repeat with the other side panel. Attach rubber feet to the bottom of each panel for added stability.



### How to Clean Your Safety Barrier

1. Clean Safety Barrier surface with Soap and Water or disinfectant detergent.
2. Spray detergent on a Soft Cloth or a Microfiber Cloth.
3. Apply mild pressure to wipe.

**DO NOT USE cleaners or disinfectants containing Ammonia, Bleach or Alcohol, this may crack or fog the clear acrylic.**