

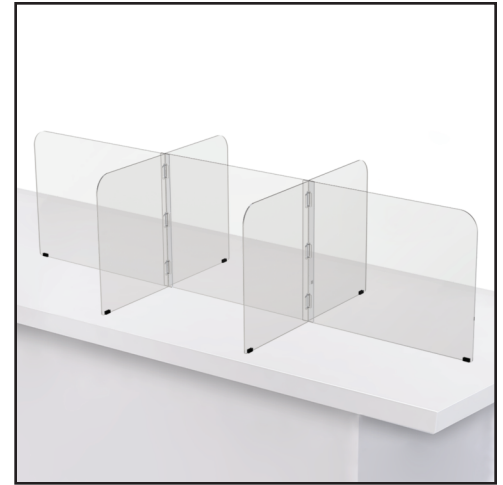
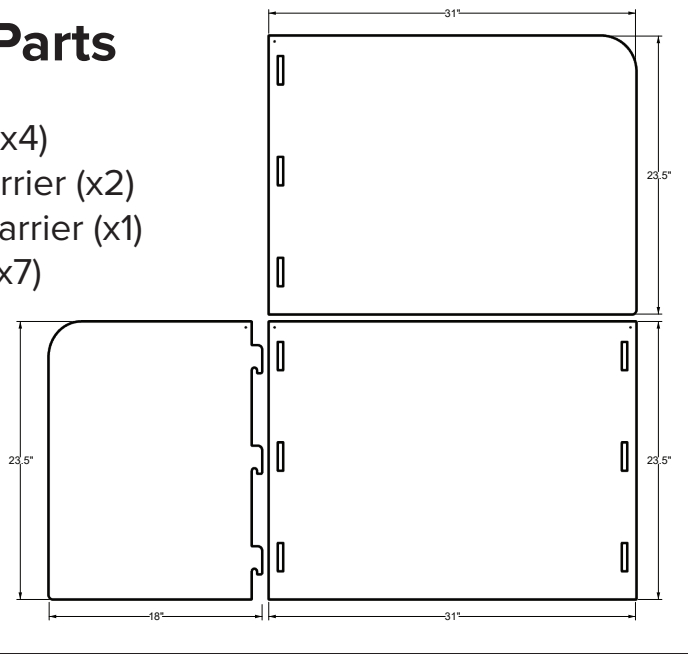
Protective Safety Barrier

Assembly & Care Instructions

SG2039A

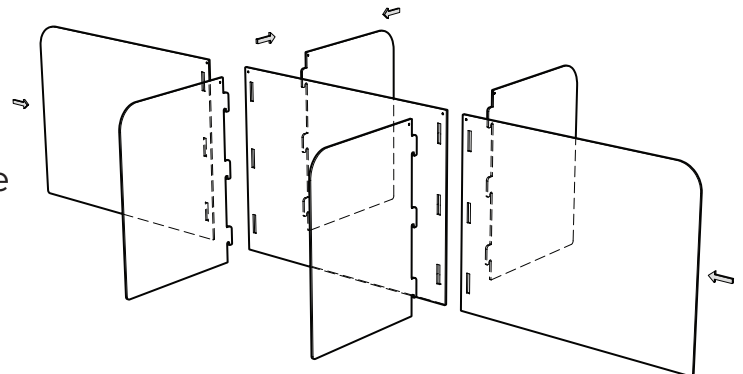
Product Parts

- Hook Barrier (x4)
- Single Slot Barrier (x2)
- Double Slot Barrier (x1)
- Rubber Feet (x7)



How to Set-Up Your Safety Barrier

Make sure the laser engraved asterisks are at the top of each barrier. Line up the holes on one of the single sided and the one side of the double sided slot barrier. Insert one of the hook barriers into the holes. Insert a second hook barrier so that the hooks sit on top of one another, but do not overlap. Repeat the same process with the remaining barriers. Place one rubber foot on the bottom of each barrier towards the edge for better stability. We recommend more than one person for easier assembly.



How to Clean Your Safety Barrier

1. Clean Safety Barrier surface with Soap and Water or disinfectant detergent.
2. Spray detergent on a Soft Cloth or a Microfiber Cloth.
3. Apply mild pressure to wipe.

DO NOT USE cleaners or disinfectants containing Ammonia, Bleach or Alcohol, this may crack or fog the clear acrylic.