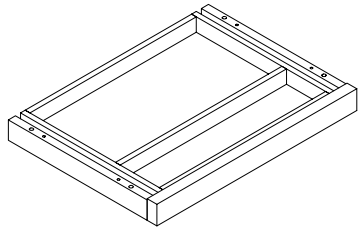
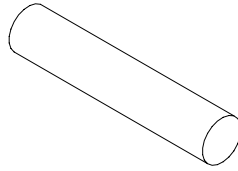


(1) NAP-15



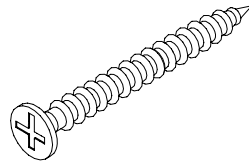
1PCS

(A1) Dowel



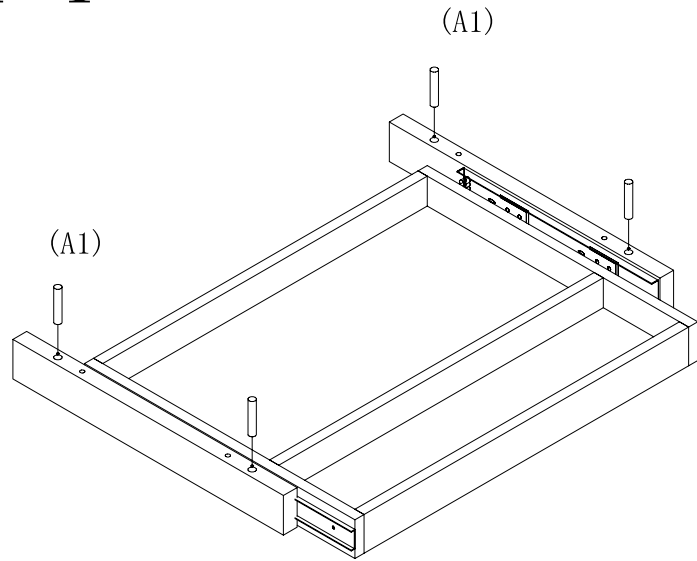
4PCS

(E7) Wood Screw

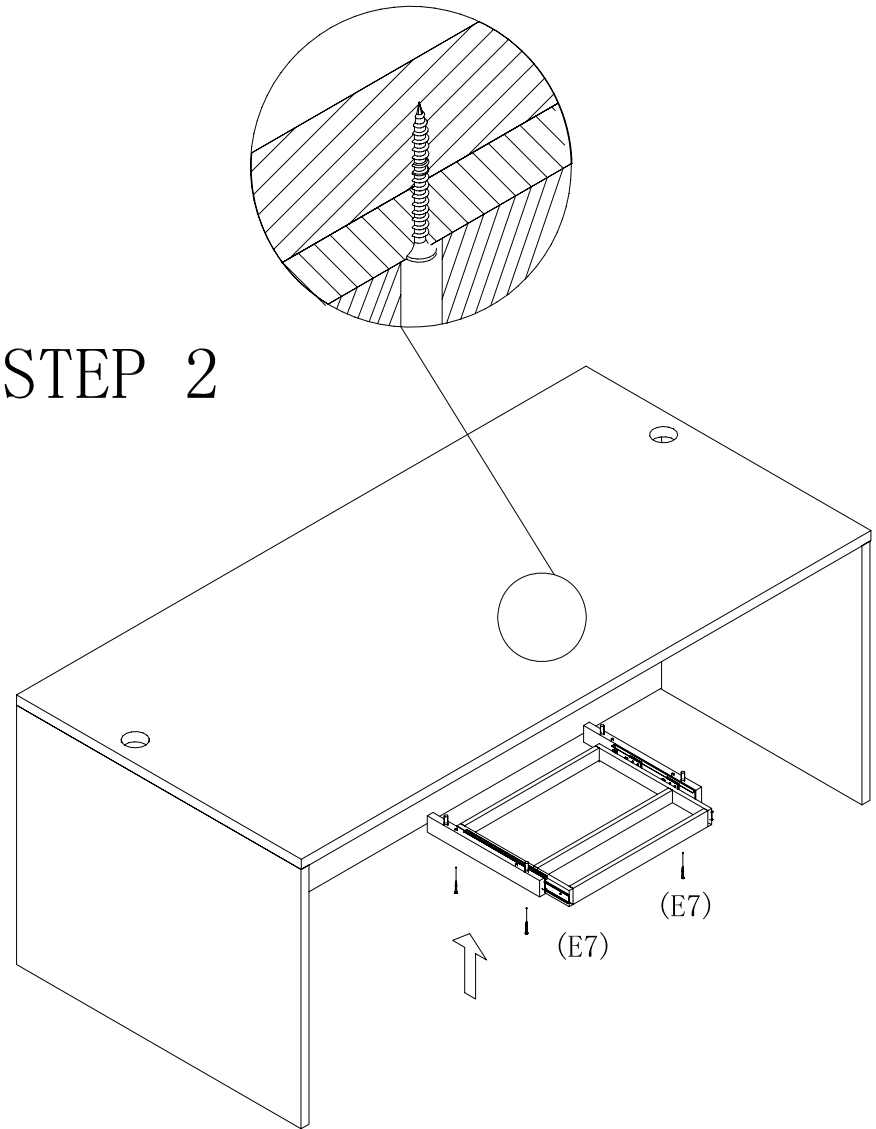


4PCS

STEP 1



STEP 2



CENTER DRAWER
NAP-15



Always lay components on A clean, soft-cushioned surface during assembly.