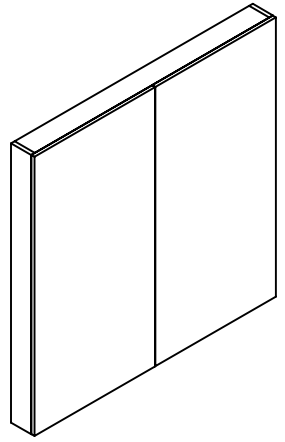
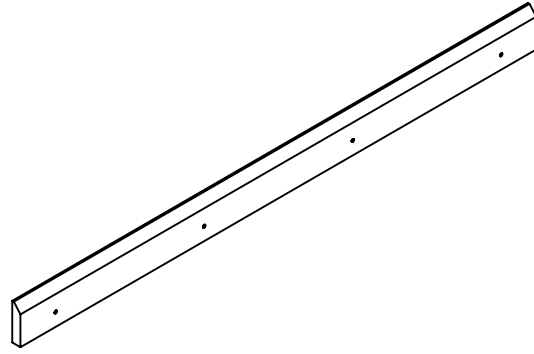


NAP-100



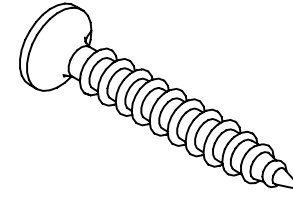
1PCS

(2) Partical Board



1PCS

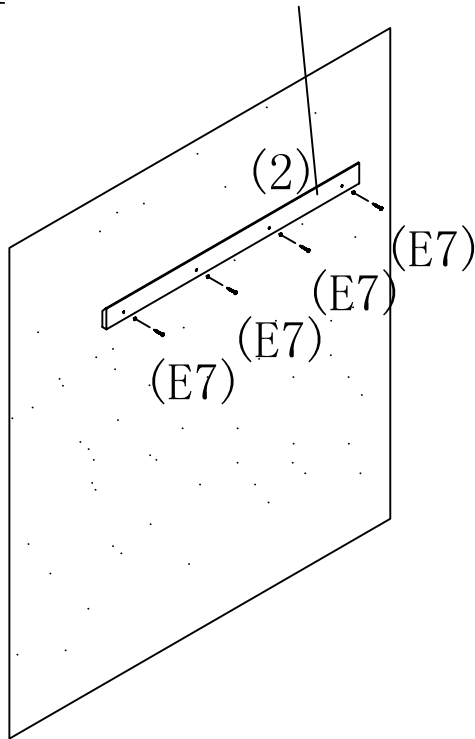
(E7) Wood Screw



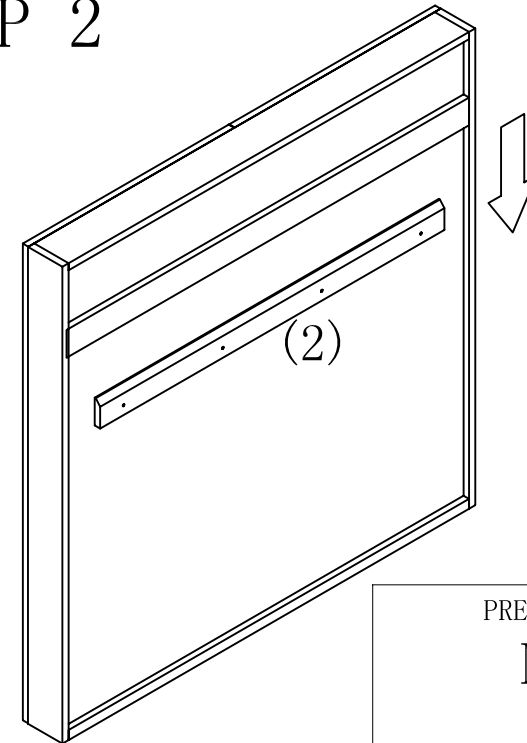
4PCS

STEP 1

Fixed on the wall



STEP 2



PRESENTATION BOARD

NAP-100



877-OSP-WORX
(677-9679)

*Always lay components on A clean,
soft-cushioned surface during assembly.*