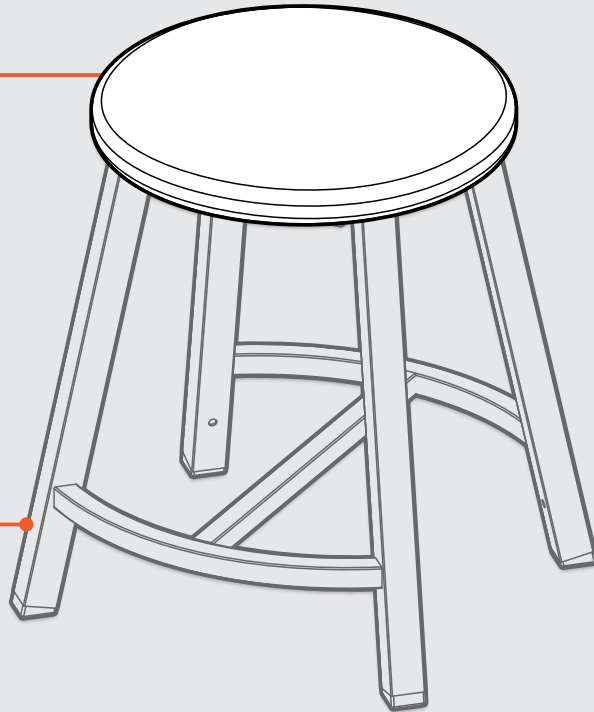




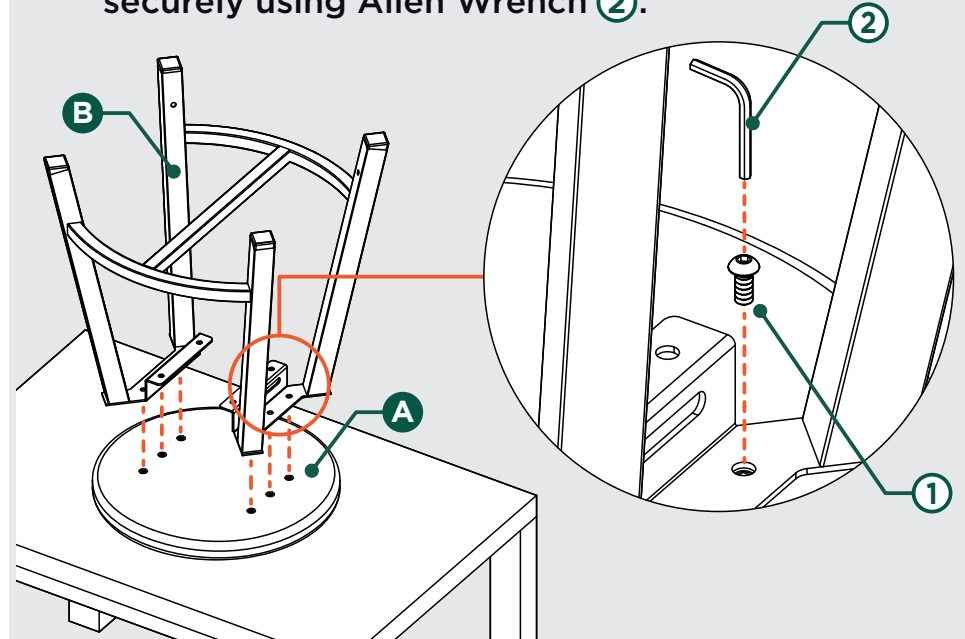
STOOL COMPONENTS

A 1x Seat

C 1x Stool Frame



1 On a flat and sturdy surface, place the Seat **A** with the threaded connectors facing upward. Align the six holes on the Stool Frame **B** with the six threaded connectors, Insert six M6x14 Bolts **1** and tighten securely using Allen Wrench **2**.



! Ensure that all bolts are fastened tightly.

INCLUDED HARDWARE



6x M6x14 Bolt

TOOLS FOR ASSEMBLY



Allen Wrench

! Double check all bolts to be tightened securely before use. Check all screws periodically. Failure to completely tighten the screws may result in tipping and possible injury!

Congratulations, your stool is now assembled and ready to be used!

Dear Customer, Thank you for your purchase. Although extreme care goes into manufacturing & packaging of this product, mistakes are possible. If you encounter any missing parts or difficulty in assembly, please contact our customer service Toll Free at 1-800-261-4112 or info@nationalpublicseating.com for courteous & immediate resolution to your problem.