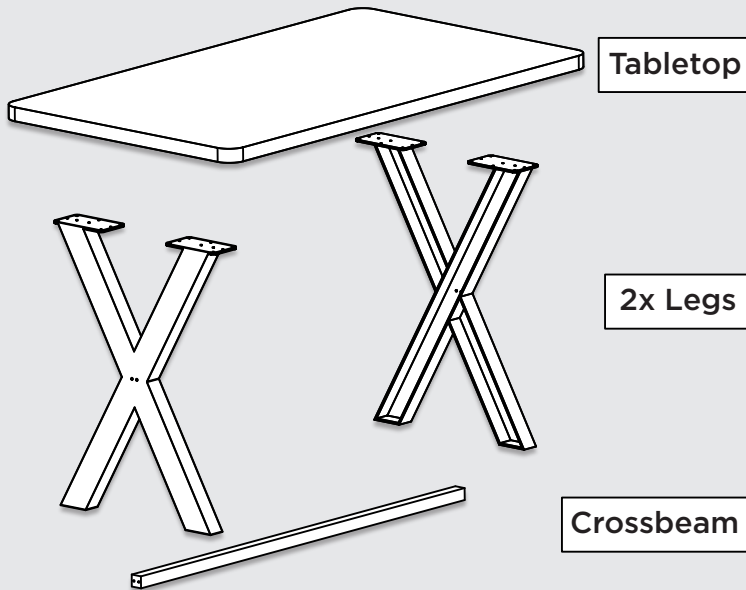


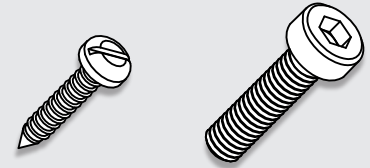
# ASSEMBLY INSTRUCTIONS

## COLLABORATOR TABLE WITH CROSSBEAM

### TABLE COMPONENTS



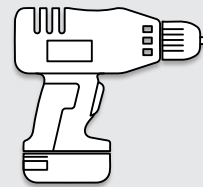
### INCLUDED HARDWARE



36x Screws

4x Bolt

### TOOLS FOR ASSEMBLY

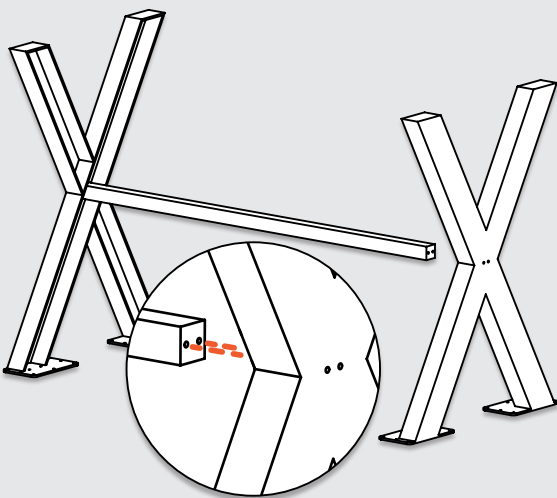


Drill

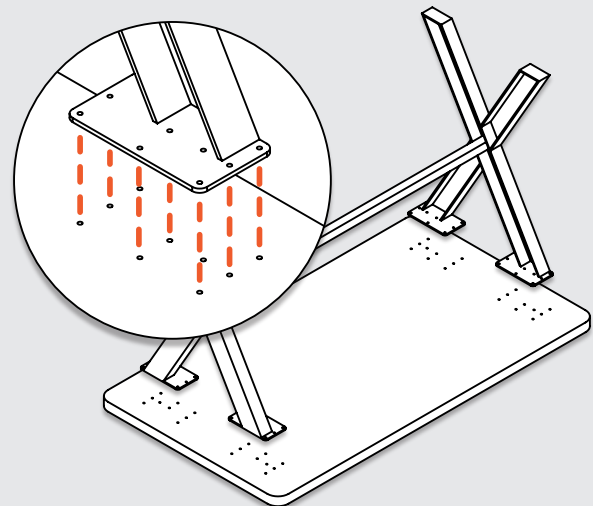


Allen Wrench

- Fasten each end of the crossbeam to each leg by installing 2 included bolts through the holes at the center each leg and into the ends of the crossbeam.



- Align the leg top plates with the pre-marked holes on the tabletop and fasten legs to tabletop by installing 9 screws through each top plate into the tabletop.



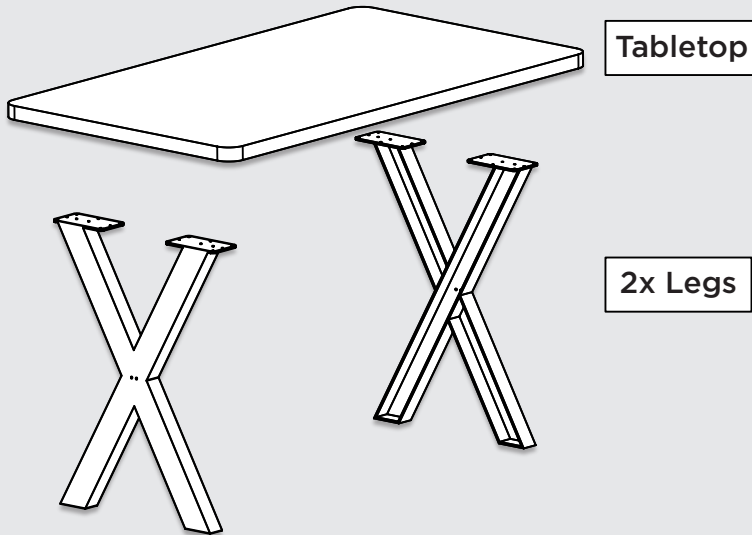
**Congratulations, your table is now assembled and ready to be used!**

*Dear Customer, Thank you for your purchase. Although extreme care goes into manufacturing & packaging of this product, mistakes are possible. If you encounter any missing parts or difficulty in assembly, please contact our customer service Toll Free at **1-800-261-4112** or **info@nationalpublicseating.com** for courteous & immediate resolution to your problem.*

# ASSEMBLY INSTRUCTIONS

## COLLABORATOR TABLE\*

### TABLE COMPONENTS

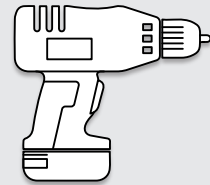


### INCLUDED HARDWARE



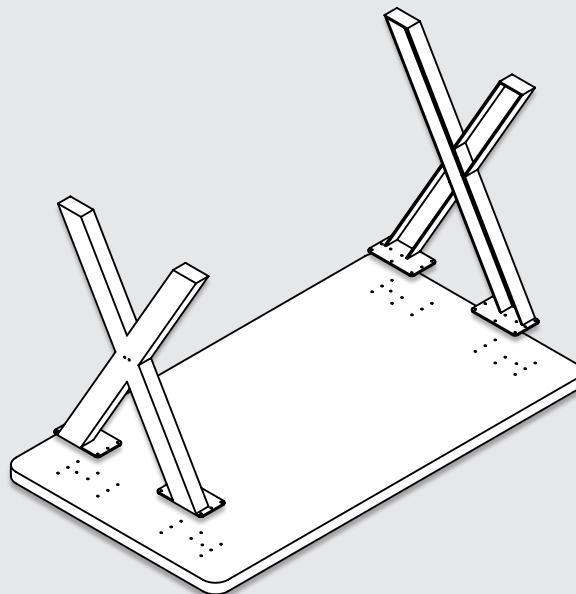
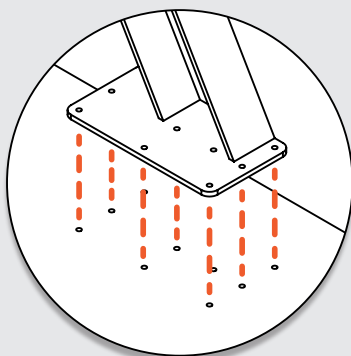
36x Screws

### TOOLS FOR ASSEMBLY



Drill

- Align the leg top plates with the pre-marked holes on the tabletop and fasten legs to tabletop by installing 9 screws through each top plate into the tabletop.



**Congratulations, your table is now assembled and ready to be used!**

\* See other side for Collaborator table with crossbeam assembly.

**Dear Customer,** Thank you for your purchase. Although extreme care goes into manufacturing & packaging of this product, mistakes are possible. If you encounter any missing parts or difficulty in assembly, please contact our customer service Toll Free at **1-800-261-4112** or **info@nationalpublicseating.com** for courteous & immediate resolution to your problem.