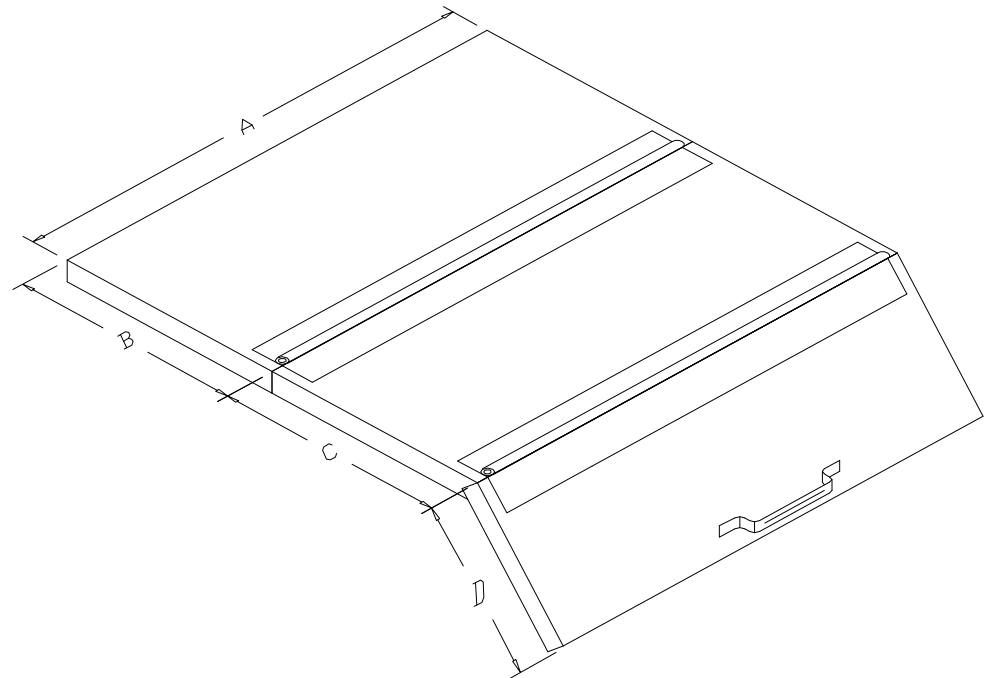


Two Piece Lid Assembly

Size	Part No.	A	B	C
1/4 yd	2533	35"	21 3/8"	21 5/8"
1/3 yd	3333	33"	24 3/8"	27 3/8"
1/2 yd	5033	38 3/4"	26 1/8"	26 1/8"
3/4 yd	7533	41"	29 7/8"	29 1/8"
1 yd	10033	41"	33 7/8"	30 3/8"
1 1/2 yd	15033	59"	33 1/8"	32 3/8"




Three Piece Lid Assembly

Size	Part No.	A	B	C	D
GEN II 2 yd	20033	59"	30 7/8"	29 1/8"	16"
2 1/2 yd (N)	25033	48"	30 7/8"	32 3/8"	26"
GEN II 2 1/2 yd (Y)	26033	71"	30 7/8"	29 1/8"	16"
3 yd	30033	59"	30 7/8"	32 3/8"	26"
4 yd	40033	85 1/2"	30 7/8"	32 3/8"	26"
5 yd	50033	105 1/2"	30 7/8"	32 3/8"	26"

All lid are made from 11ga. material

Note: All dimensions are approximate some dimensions may very slightly per lid assembly

UNLESS OTHERWISE SPECIFIED: DIMENSIONS ARE IN INCHES TOLERANCES		 McCullough Ind., Inc.			
DECIMALS	ANGULAR				
.XX ± .05	± 0.5°	Lid Basic Dimensions			
.XXX ± .010	DO NOT SCALE DRAWING				
DRAWN	DATE	SIZE	FSCM NO.	DWG NO.	REV
CHECKED		B			
DESIGN		SCALE	None		SHEET 1 OF 1