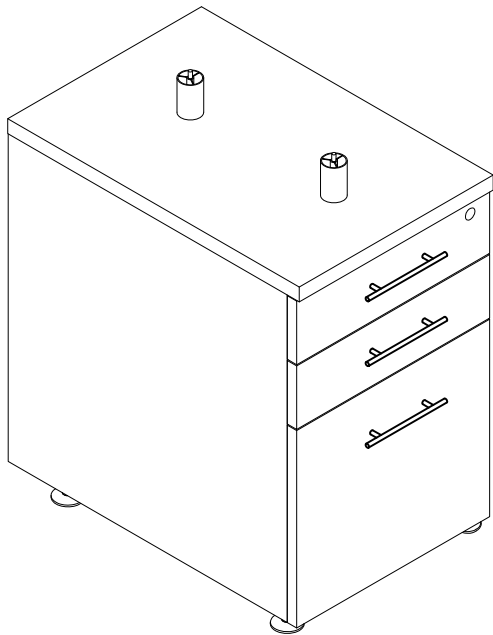




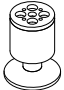

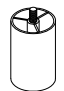
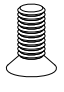
Medina Series™
Return Pedestal, P/B/F
Model No. MNBFP

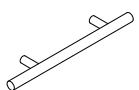

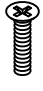

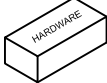


ASSEMBLY INSTRUCTIONS

CALL 1-800-822-8037 FOR ASSISTANCE

PARTS LIST

Name	Part	Qty.
A	 REALS032 Leveler	4
B	 REALS005 4x16mm	16
C	 REALS414 Stand-off	2
D	 REALS411 M6x30mm	2

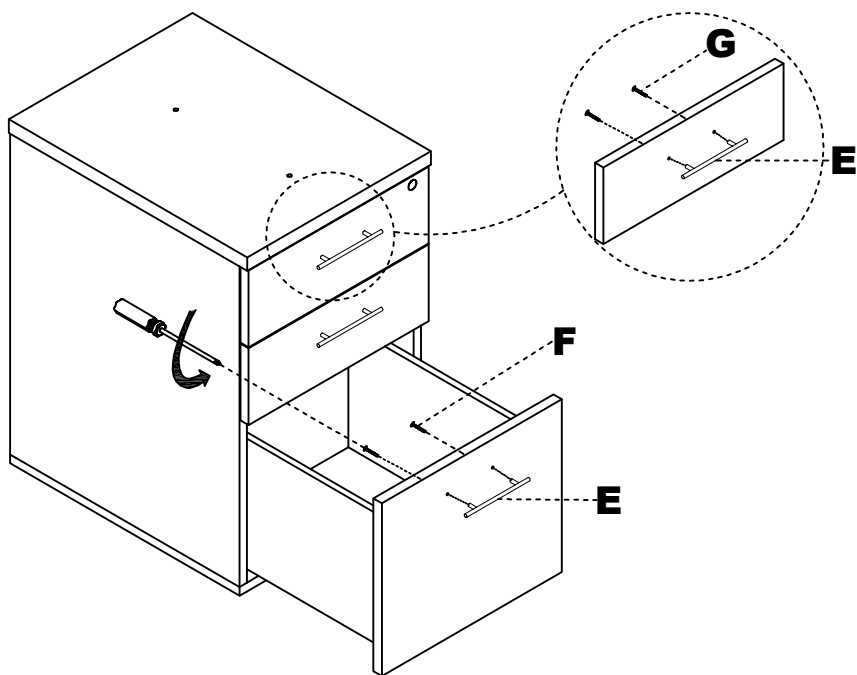
Name	Part	Qty.
E	 REALS410 Handle-96mm Center	3
F	 REALS249 Handle Screw-M4x33mm	4
G	 REALS045 Handle Screw-M4x25mm	2
H	 Keys	1
	 MNBFPHB	

Items with HB are in hardware box.

IMPORTANT!

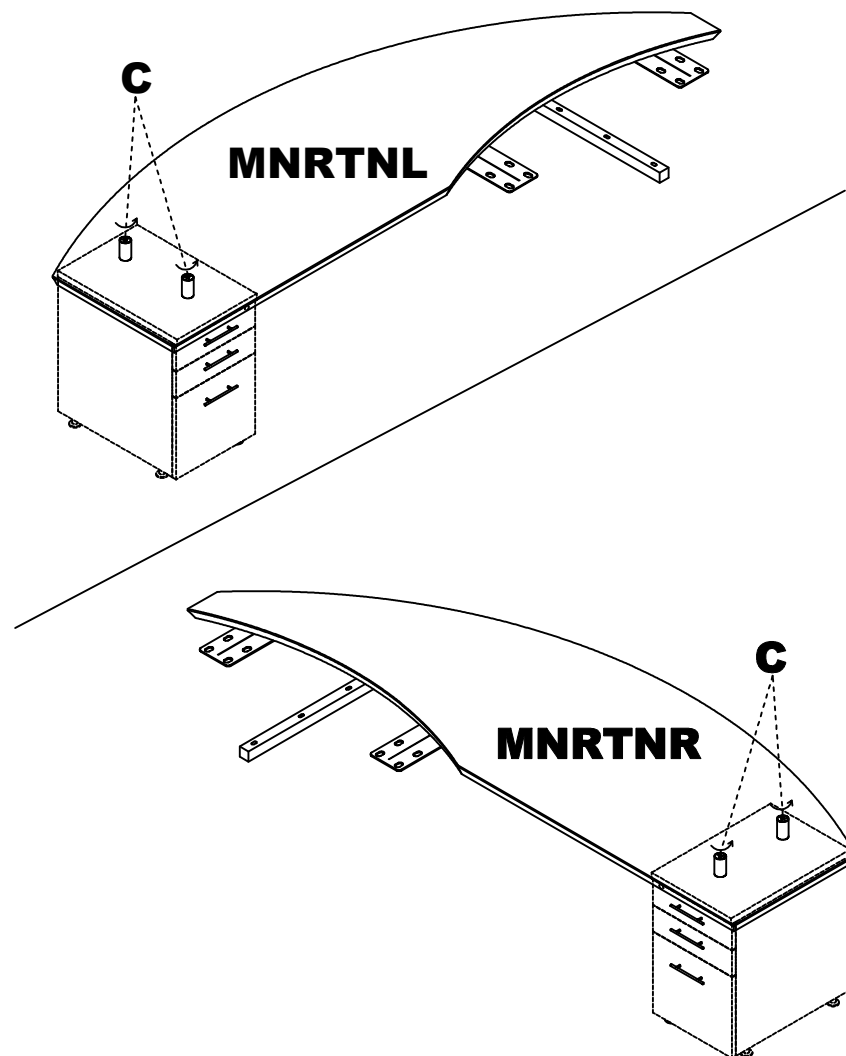
Review ALL instructions before beginning assembly. These instructions are provided to avoid problems that may occur from improper assembly or installation. Mayline and/or its distributor are not responsible for failure resulting from improper assembly or installation of this product. Moreover, all warranties are void for failure to follow these assembly instructions.

- 1** Attach Handles (E) to the Fronts of Drawer using Screws (F & G)



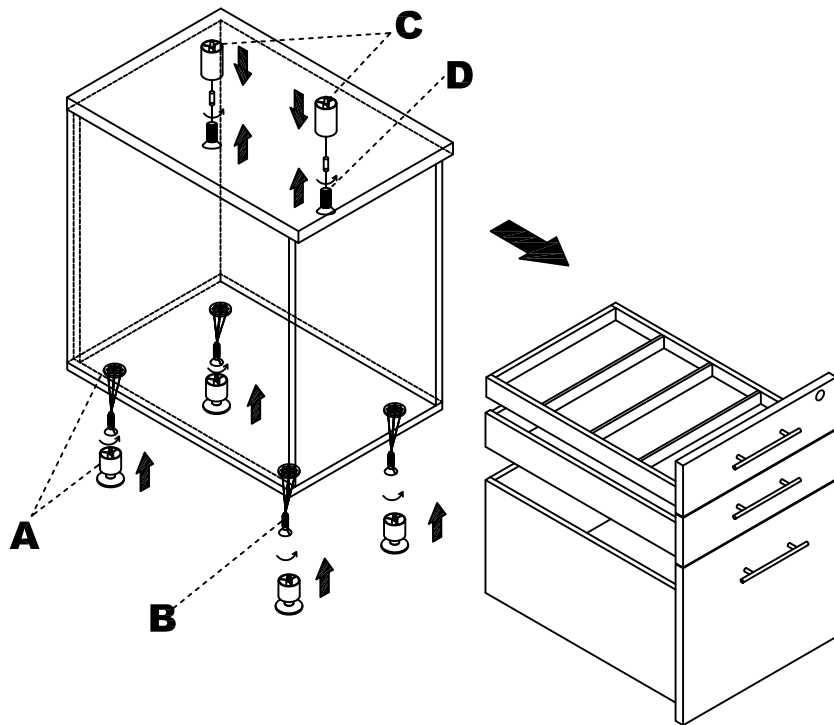
2

- 2** Install Stand-off (C) into threaded inserts in underside of Top for MNRTNL / MNRTNR.



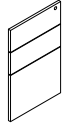

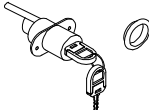
3

- ③ Install the Top of MNRTNL / MNRTNR to the underside of MNBFP using Stand-off (C) and Screws (D). Attach Levers (A) to underside of Pedestal using Screws (B).



4

Pre-Installed Replacement Parts List

Part	Included Qty.	Part	Included Qty.
 MNBFPDF** Drawer Fronts, Set of 3	1	 REALS054 16" Drawer Slides	3
 REALS401 Lock w/ Key	1		

**Denotes Color Code

5