

COOLIFT LIFTING HANDLE INSTALLATION

PARTS LIST

Item	Description	Qty.	Part No.
	Lifting handle kit (<i>includes items below</i>):	1	309330
A	Lifting handle assembly - RH	1	309325
B	Lifting handle assembly - LH	1	309326
C	Hex head cap screw - 1/4"-20 x 2" long	6	80081
D	Spacer	4	309342
E	Hex lock nut - 1/4"-20	6	80675

TOOLS REQUIRED

- (1) #3 PHILLIPS HEAD SCREWDRIVER
- (1) 7/16" DEEP WELL SOCKET WRENCH
- (1) 7/16" OPEN END WRENCH

Assembly Instructions

1. Remove the back access panel from the Coolift by removing the seven mounting screws using the #3 Phillips head screwdriver (see Figure 1).
2. Remove and discard the top three corner post mounting screws (C) from the RH side of the Coolift.
3. Remove end cap.
4. Place one screw (C) through each hole of the RH lifting handle (A). Slide one spacer (D) on the top and bottom screw. Install the handle with hardware to the corner post so that the pistol handle is below the bracket mounting holes (see Figure 2).
5. Secure the lifting handle using the screws (C) and lock nuts (E) and tighten with the open end and socket wrenches. NOTE: Please ensure that each screw is tightened so that the end of the screw passes completely through the lock nut to fully engage lock nut.
6. Repeat steps 2 - 5 for the LH lifting handle (B).
7. Place the back access panel into position on the Coolift and secure using the seven previously removed mounting screws with the screwdriver.



Figure 1

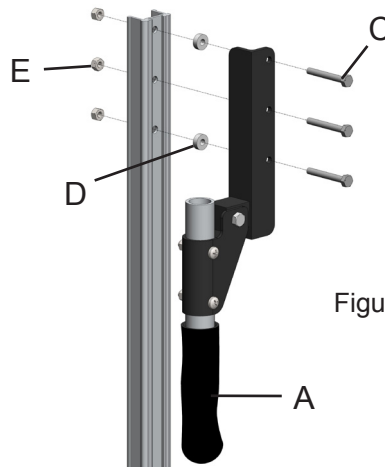
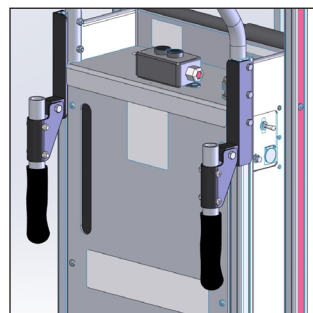
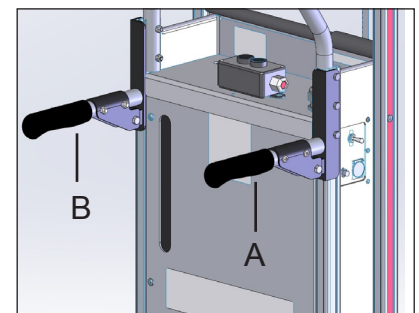


Figure 2

NOTE: Both handles should freely rotate down under their own weight. If this does not occur, inspect for damage and contact Magline for replacement parts.



Resting position



Extended position