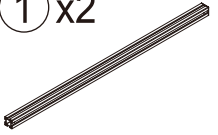

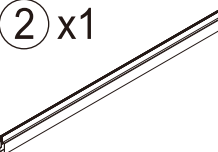
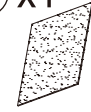
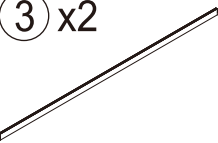
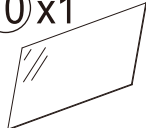
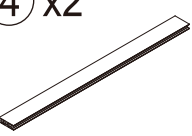



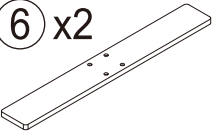

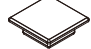

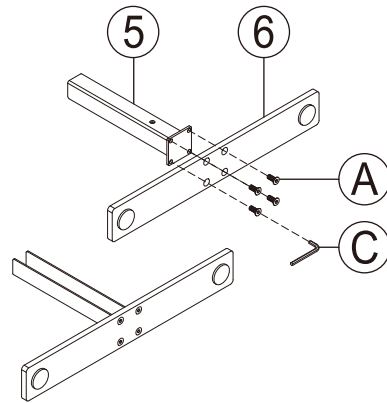


# LUXOR

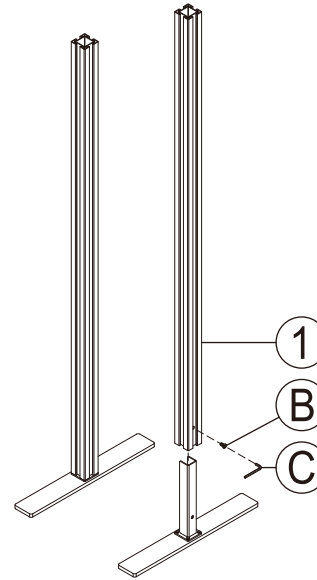
## MW-5348-FCG INSTRUCTIONS

① x2 	⑧ x1  33.25" x 20.75" PET Panel
② x1 	⑨ x1  16.25" x 20.75" PET Panel
③ x2 	⑩ x1  33.25" x 20.75" Acrylic Panel
④ x2 	⑪ x1  16.25" x 20.75" Acrylic Panel
⑤ x2 	Ⓐ x8  M6x15mm
⑥ x2 	Ⓑ x2  1/4"x10mm
⑦ x2 	Ⓒ x1  4mm

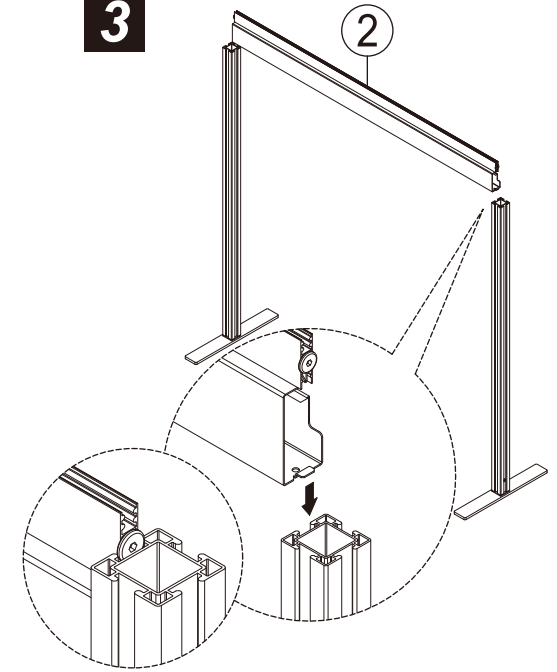
**1**



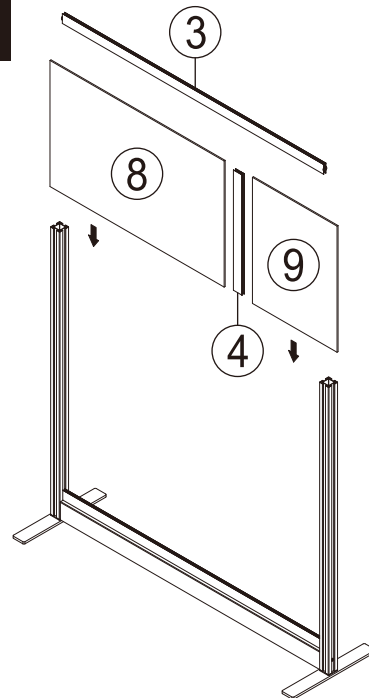
**2**



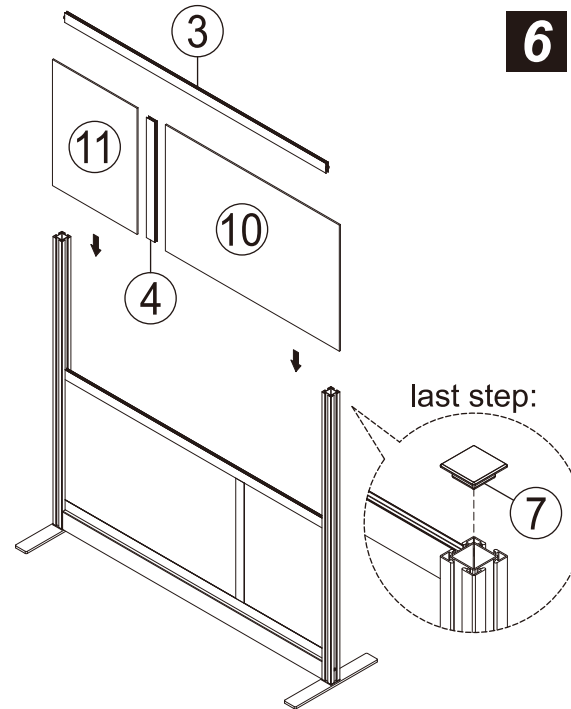
**3**



**4**

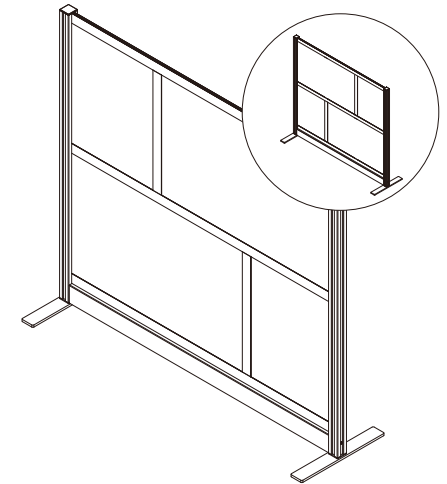


**5**



**6**

\*Panels can be arranged in desired configuration



last step:

⑦