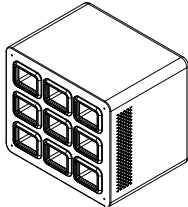


In the Box:

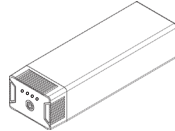


Power Cord

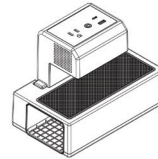


9-Bay Base Charging Station

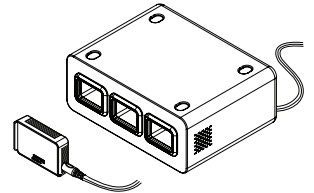
Ships / Sold Separately:



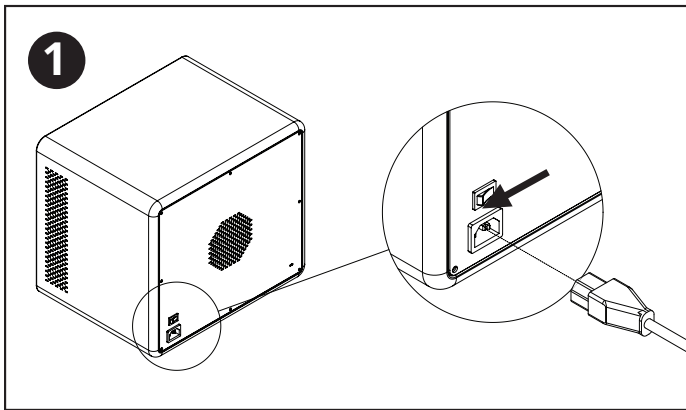
Rechargeable Battery



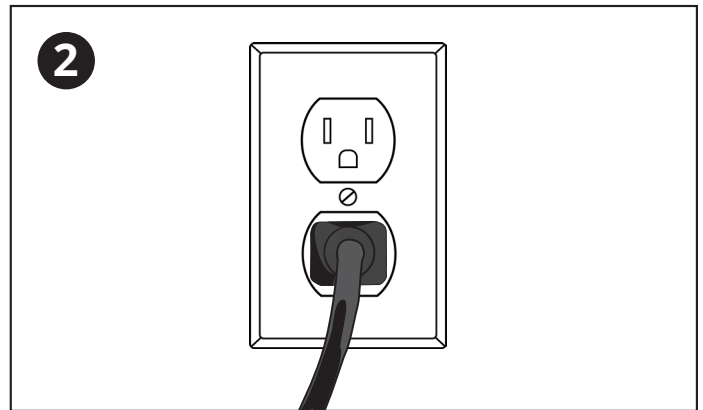
Clamp-On
Desktop Charging Unit



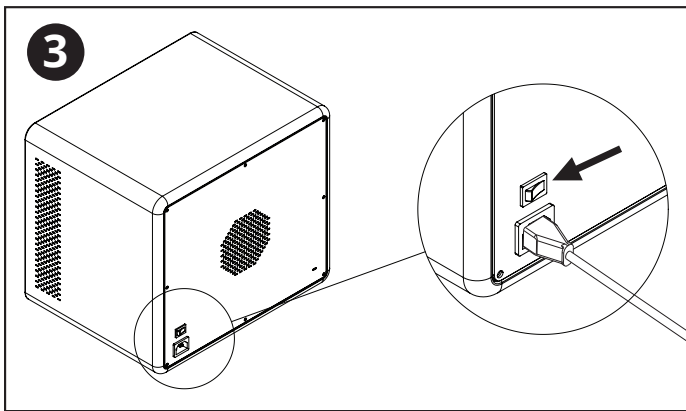
Battery Charging Options



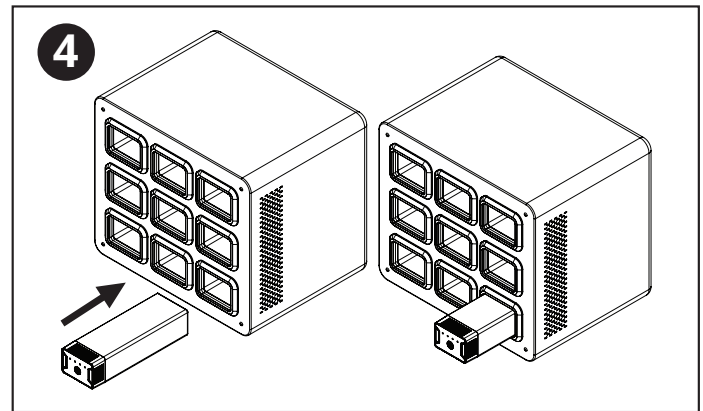
1
Plug IEC power cord into rear of Base Charging Station.



2
Plug power cord into available AC wall outlet.



3
Turn on power switch , also located on rear panel of Base Charging Station.

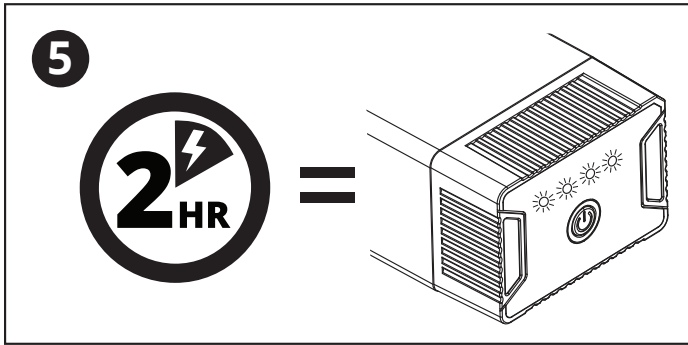


4
Insert Rechargeable Battery(s) into slot(s) on front of Base Charging Station.

When fully connected, Rechargeable Battery indicator lights will blink to show charging status.

- **1st dot blinking**
= 0 to 24% charged
- **2nd dot blinking, 1st dot solid**
= 25 to 49% charge
- **3rd dot blinking, 1st & 2nd dot solid**
= 50 to 74% charged
- **4th dot blinking, 1st, 2nd, & 3rd dot solid**
= 75 to 99% charged

NOTE: Batteries will ship only partially charged and must be fully charged before first use.



Allow two (2) hours for Batteries to fully charge.

When all four indicator lights illuminate solid, a Battery is fully charged.

TROUBLESHOOTING

Indicator lights not illuminating*

1. Ensure Base Charging Station is fully plugged in and power switch is turned on.
2. Ensure Rechargeable Battery is properly connected to Base Charging Station.
3. Turn power switch off, and then on again.
4. If steps 1 through 3 do not work, contact customer service.

*Indicates Rechargeable Battery is not charging when inserted into Base Charging Station.