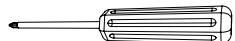


# 4-Bin Lug Cart

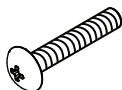
## Assembly Instructions

### Tools Required:



Phillips Screwdriver

### Parts Key



**A** x4  
M6x35mm



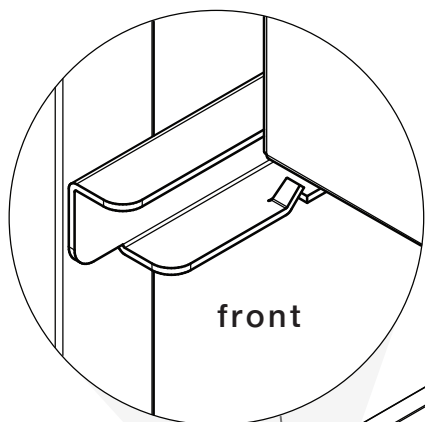
**B** x4  
M6x16mm



**C** x2



**D** x2



**A**

**B**

**D**

**C**

locking caster

