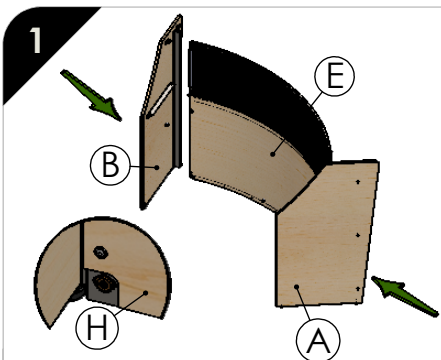


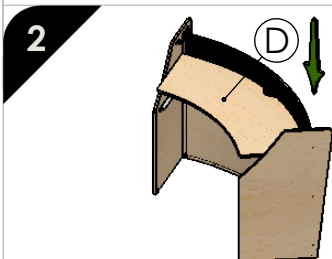
READ THIS FIRST:

- BEFORE product assembly and discarding carton, check all contents for damage or missing parts.
- DRAWER KEYS/CASTERS:
 - Pedestals: Inside drawer or bottom of product.
- For fastest and damage-free installation, please carefully read and follow the assembly instructions.
- Prior to using this product please verify that all thumb screws have been securely tightened.
- For product returns, parts and support, please call 1-800-733-4000.



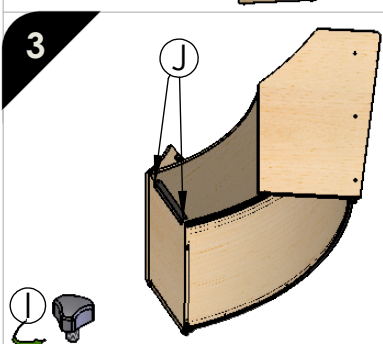
1 Screw the levellers (G) on the bottom of the sides (A) (B).
Join the sides (A) (B) with the front (E) aligning the holes of the structure and screw to each other with screw 25mm (H). Do not tight the screws.

Atornillar los niveladores (G) en la parte inferior de los laterales (A) (B). Unir los laterales (A) (B) con el frontal (E) alineando las ranuras con los barrenos de la estructura y unir con conector 25mm (H). No apretar los tornillos.



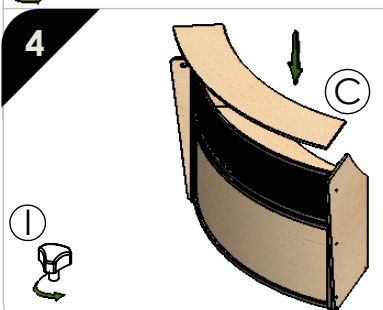
2 Place the desk (D) on the side's brackets (A) (B).

Coloque el escritorio (D) sobre las escuadras de los laterales (A) (B).



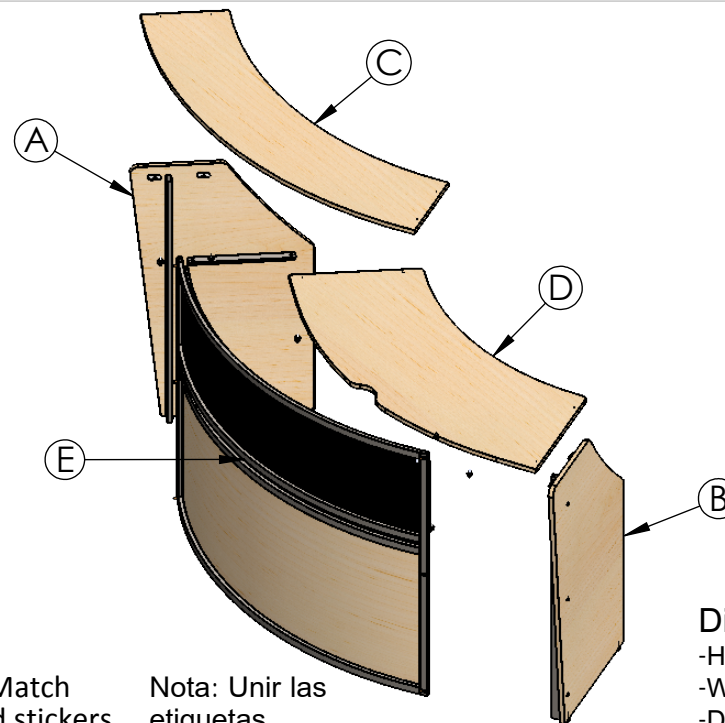
3 Secure the desk to the sides with clover knob 12mm (I).

Asegurar los dos barrenos del escritorio a las laterales con regatón trébol 12mm (I).



4 Place the Shelf (C) on the upper side's brackets (A) (B) and join with clover knobs of 12mm (I). With the allen key (L), tight the screws (H) of the structure screwed of the first step.
(G) Place leveler on the front of the reception.

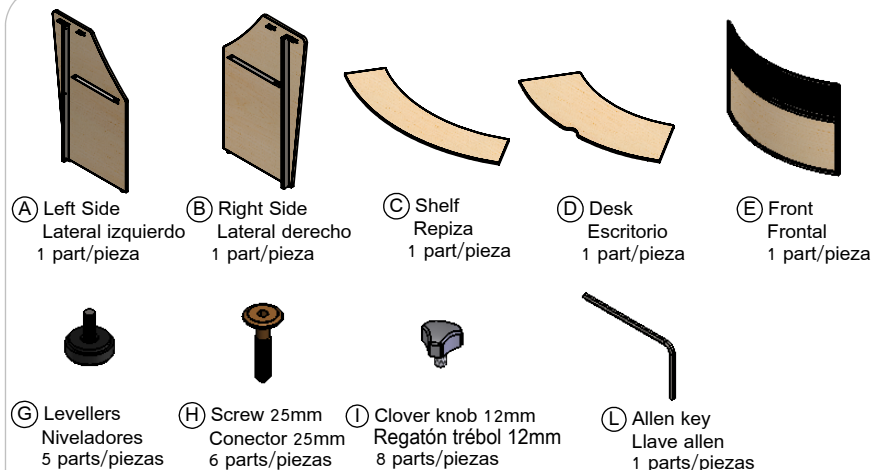
Colocar la repisa (C) sobre las escuadras de los laterales (A) (B) y unir con regatones trébol 12 mm (I). Con la llave allen (L) apretar los conectores (H) de la estructura colocados en el primer paso. (G) Colocar nivelador en la parte frontal de la recepción.



Dimensions:
-Height: 44 1/4"
-Width: 65"
-Depth: 29 3/4"

Note: Match colored stickers

Nota: Unir las etiquetas



Limited 5-year warranty

Creaciones Industriales S.A de C.V (Crisa) warranties its products against manufacturing, material and workmanship defects to the original purchaser from the date of purchase for a period of 5 years. The warranty is subject to the products still being owned by the original purchaser and installed, used and maintained in accordance with product instructions and warnings.

Warranty duration:

- 1) 5 years: desk, bookcases, credenzas and file cabinets
- 2) 1 year: plastic caps, locks, hinges, fabric, casters, panels and accessories.

Limitations:

Damage caused by the carrier-in-transit is handled under separate terms as defined by the carrier.

Exclusions:

- 1) Damage resulting from improper product installation, assembly or disassembly.
- 2) Normal wear and tear as expected over the course of ownership.
- 3) Modifications or attachments to the product not approved by CRISA - Linea Italia.
- 4) Product used for rental purpose.
- 5) Damage resulting from products stored in warehouse more than one year.

Warranty will not be applicable in the following cases:

- 1) Products that were not installed, used or routinely and properly maintained in accordance with product instructions and warnings.
- 2) Product used in different conditions than intended.
- 3) Product not assembled according to the provided written instructions.
- 4) Product changed or repaired by non CRISA authorized personnel.
- 5) Defects occurring after the purchase by natural disasters, product modification, intentional damage, accident, misuse, abuse, negligence or exposure to the elements.
- 6) Damages caused by third party carriers other than Creaciones Industriales S.A de C.V. (Linea Italia). To the extent allowed by law, Crisa makes no other warranty, either express or implied, including any warranty of merchantability or fitness for a particular purpose. Crisa will not be liable for any consequential or incidental damages.

Notice to Purchaser for home or personal use:

Federal law does not permit the exclusion of certain implied warranties for consumer products. Therefore, if you are purchasing this product for home or personal use, the exclusion of implied warranties noted in the above paragraph does not apply to you. Some states do not allow the exclusion or limitation of incidental or consequential damages, so the above limitation or exclusion may not apply to you. This warranty gives you specific legal rights, and many also have other rights, which vary from state to state.

Warranty procedure

- 1) Your Linea Italia reseller will work with CRISA in supporting the warranty request.
- 2) Defects must be reported immediately when discovered. Please contact Reseller from whom the product was purchased and provide SKU#, invoice # or date of manufacture from the product.
- 3) Provide a detailed description of the problem with photos, lot number and invoice number, if available. It is important not to remove any labels from the product as they provide important traceability information. It is helpful if original product packaging is still available to provide photos of the product packaging.
- 4) A customer service representative from the Linea Italia reseller or CRISA will determine whether to provide replacement parts, authorize repair or replace the product provided CRISA affirms that the products in question is eligible under the conditions of the warranty as stated above.
- 5) CRISA will review the defect and determine whether it is related to material or workmanship. If the defect is not related to manufacturing, cost of replacement parts and shipping will be the customer's responsibility.

Creaciones Industriales S.A de C.V reserves the right to change products, technical specifications, accessory combinations, colors images and data any time without notice.

Cleaning and care of your furniture

Our furniture is manufactured using a high quality melamine laminate with durable pvc edging. The melamine surface is highly resistant to common hazards such as scratches, peeling, moisture and heat. There may be glue residue on the surface of the furniture remaining from the manufacturing process. If you find residue, it can be easily removed using a soft cloth moistened with isopropyl (rubbing alcohol). For regular maintenance of your furniture, use a soft cloth with a mild cleaning solution. Never use abrasives or harsh chemicals to clean the furniture as it may harm the finish. Leveling glides can be adjusted to compensate for uneven floors.

Limpieza y cuidado de su mueble

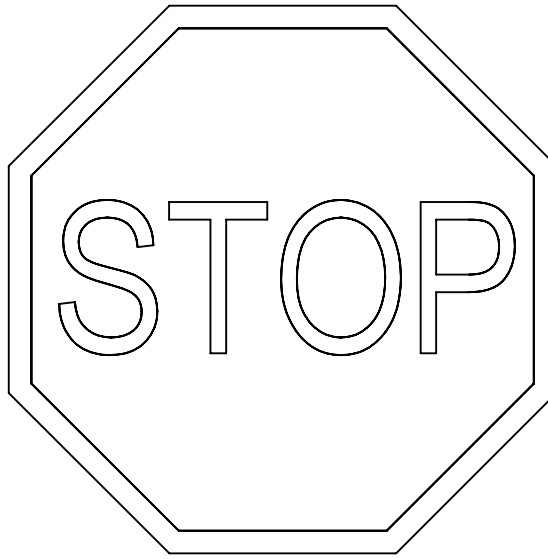
Nuestros muebles son fabricados utilizando un melamina de alta calidad, laminado con cubrecanto durable pvc. La superficie de melamina es altamente resistente a las amenazas comunes, tales como rayones, golpes, humedad y el calor. Puede haber restos de pegamento en la superficie del mobiliario, restante del proceso de fabricación. Si se encontraran estos residuos, se pueden quitar fácilmente con un paño suave, humedecido con isopropílico (alcohol de frotar). Para regular mantenimiento de sus muebles, utilice un paño suave con una solución de limpieza. Nunca utilice abrasivos ni químicos fuertes para limpiar el mueble ya que podría dañar el acabado. Niveladores ajustables para compensar las irregularidades del suelo.



Assembles
in **less**
than **10** minutes

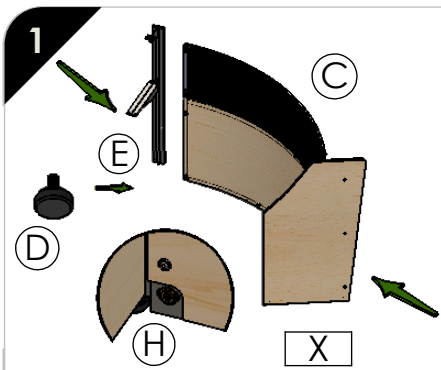
Manufactured by/
Hecho por:
www.linea-italia.com.mx

Creaciones industriales S.A de C.V
Jose Ma. Chavez N. 643 CP. 20000
Aguascalientes, México
Made in Mexico/ Hecho en México



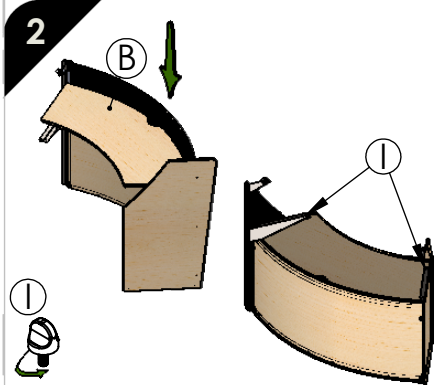
READ THIS FIRST:

- BEFORE product assembly and discarding carton, check all contents for damage or missing parts.
- **DRAWER KEYS/CASTERS:**
 - Pedestals: Inside drawer or bottom of product.
- For fastest and damage-free installation, please carefully read and follow the assembly instructions.
- Prior to using this product please verify that all thumb screws have been securely tightened.
- For product returns, parts and support, please call 1-800-733-4000.



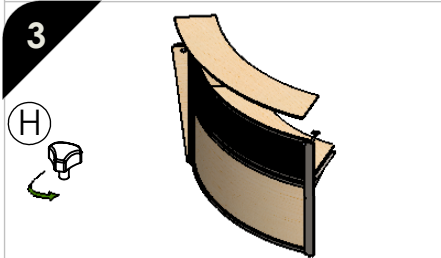
Place the leveler knob (D) to the post (E) and the curve (C).
Join the connecting post (E) and one of the sides of the reception to extend (X) to the front (C). Align the holes of the structure and screw to each other with screw 25mm (G). Do not tight the screws.

Colocar regatón nivelador (D) al poste (E) y a la curva (C),
enseguida unir el poste (E) y una de las laterales de la recepción a extender (X) al frontal (C). Alinear las ranuras con los barrenos de la estructura y unir con conector 25mm (G). No apretar los tornillos.



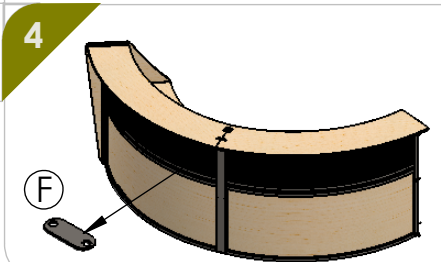
Place the desk (B) on the side (X) and post's brackets (E).
Secure the desk to the sides with clover knob 12mm (H).

Coloque el escritorio (B) sobre las escuadras del poste (E) y la lateral (X). Asegurar los dos barrenos del escritorio a las laterales con regatón trebol 12mm (H).



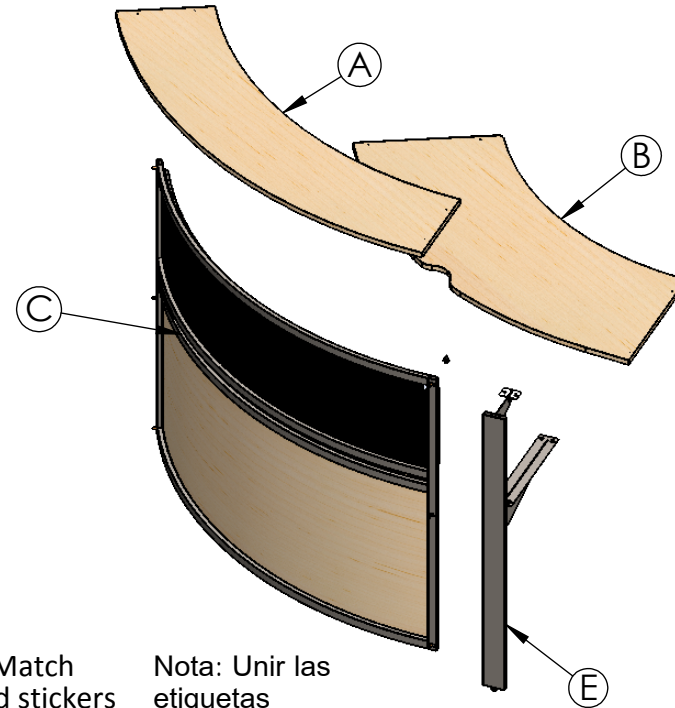
Place the Shelf (A) on the upper side's brackets (E) (X) and join with clover knobs of 12mm (H).

Colocar la repisa (A) sobre las escuadras de los laterales (E) (X) y unir con regatones trebol 12 mm (H).



Assemble with the reception to extend with screws 30mm, join the desks with safety knob 12mm and join the shelves with clover knob 12mm, use connecting sill (F) on the exterior side to join shelves. With the allen key, tighten the screws of the structure.

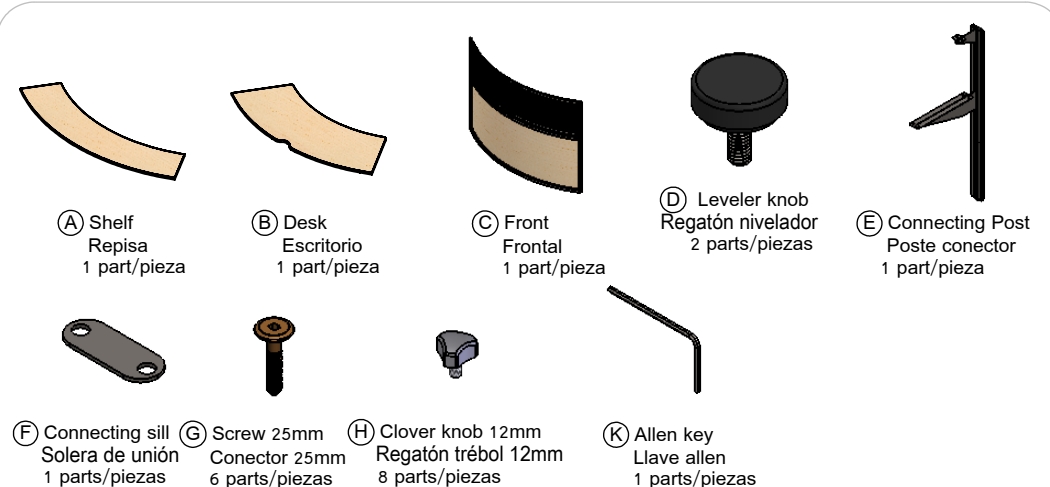
Ensamblar con la recepción a extender con conectores 30mm, unir escritorios con regatones 12mm y unir repisas con regatón trebol 12mm y por la parte externa unir con la solera de unión (F). Con ayuda de la llave allen, apretar todos los tornillos de la estructura.



Note: Match colored stickers

Nota: Unir las etiquetas

Dimensions:
-Height: 44 1/4"
-Width: 65"
-Depth: 29 3/4"



Limited 5-year warranty

Creaciones Industriales S.A de C.V (Crisa) warranties its products against manufacturing, material and workmanship defects to the original purchaser from the date of purchase for a period of 5 years. The warranty is subject to the products still being owned by the original purchaser and installed, used and maintained in accordance with product instructions and warnings.

Warranty duration:

- 1) 5 years: desk, bookcases, credenzas and file cabinets
- 2) 1 year: plastic caps, locks, hinges, fabric, casters, panels and accessories.

Limitations:

Damage caused by the carrier-in-transit is handled under separate terms as defined by the carrier.

Exclusions:

- 1) Damage resulting from improper product installation, assembly or disassembly.
- 2) Normal wear and tear as expected over the course of ownership.
- 3) Modifications or attachments to the product not approved by CRISA - Linea Italia.
- 4) Product used for rental purpose.
- 5) Damage resulting from products stored in warehouse more than one year.

Warranty will not be applicable in the following cases:

- 1) Products that were not installed, used or routinely and properly maintained in accordance with product instructions and warnings.
- 2) Product used in different conditions than intended.
- 3) Product not assembled according to the provided written instructions.
- 4) Product changed or repaired by non CRISA authorized personnel.
- 5) Defects occurring after the purchase by natural disasters, product modification, intentional damage, accident, misuse, abuse, negligence or exposure to the elements.
- 6) Damages caused by third party carriers other than Creaciones Industriales S.A de C.V. (Linea Italia). To the extent allowed by law, Crisa makes no other warranty, either express or implied, including any warranty of merchantability or fitness for a particular purpose. Crisa will not be liable for any consequential or incidental damages.

Notice to Purchaser for home or personal use:

Federal law does not permit the exclusion of certain implied warranties for consumer products. Therefore, if you are purchasing this product for home or personal use, the exclusion of implied warranties noted in the above paragraph does not apply to you. Some states do not allow the exclusion or limitation of incidental or consequential damages, so the above limitation or exclusion may not apply to you. This warranty gives you specific legal rights, and many also have other rights, which vary from state to state.

Warranty procedure

- 1) Your Linea Italia reseller will work with CRISA in supporting the warranty request.
- 2) Defects must be reported immediately when discovered. Please contact Reseller from whom the product was purchased and provide SKU#, invoice # or date of manufacture from the product.
- 3) Provide a detailed description of the problem with photos, lot number and invoice number, if available. It is important not to remove any labels from the product as they provide important traceability information. It is helpful if original product packaging is still available to provide photos of the product packaging.
- 4) A customer service representative from the Linea Italia reseller or CRISA will determine whether to provide replacement parts, authorize repair or replace the product provided CRISA affirms that the products in question is eligible under the conditions of the warranty as stated above.
- 5) CRISA will review the defect and determine whether it is related to material or workmanship. If the defect is not related to manufacturing, cost of replacement parts and shipping will be the customer's responsibility.

Creaciones Industriales S.A de C.V reserves the right to change products, technical specifications, accessory combinations, colors images and data any time without notice.

Cleaning and care of your furniture

Our furniture is manufactured using a high quality melamine laminate with durable pvc edging. The melamine surface is highly resistant to common hazards such as scratches, peeling, moisture and heat. There may be glue residue on the surface of the furniture remaining from the manufacturing process. If you find residue, it can be easily removed using a soft cloth moistened with isopropyl (rubbing alcohol). For regular maintenance of your furniture, use a soft cloth with a mild cleaning solution. Never use abrasives or harsh chemicals to clean the furniture as it may harm the finish. Leveling glides can be adjusted to compensate for uneven floors.

Limpieza y cuidado de su mueble

Nuestros muebles son fabricados utilizando un melamina de alta calidad, laminado con cubrecanto durable pvc. La superficie de melamina es altamente resistente a las amenazas comunes, tales como rayones, golpes, humedad y el calor. Puede haber restos de pegamento en la superficie del mobiliario, restante del proceso de fabricación. Si se encontraran estos residuos, se pueden quitar fácilmente con un paño suave, humedecido con isopropílico (alcohol de frotar). Para regular mantenimiento de sus muebles, utilice un paño suave con una solución de limpieza. Nunca utilice abrasivos ni químicos fuertes para limpiar el mueble ya que podría dañar el acabado. Niveladores ajustables para compensar las irregularidades del suelo.



Assembles
in **less**
than **10** minutes

Manufactured by/
Hecho por:
www.linea-italia.com.mx

Creaciones industriales S.A de C.V
Jose Ma. Chavez N. 643 CP. 20000
Aguascalientes, México
Made in Mexico/ Hecho en México