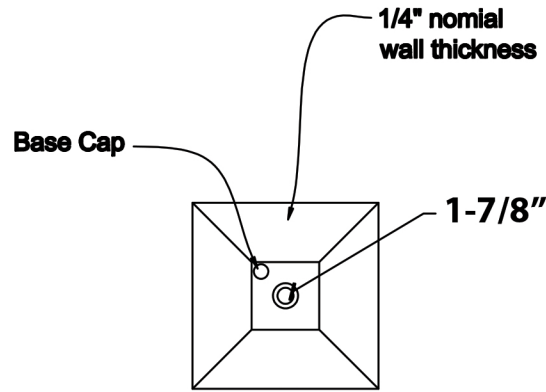
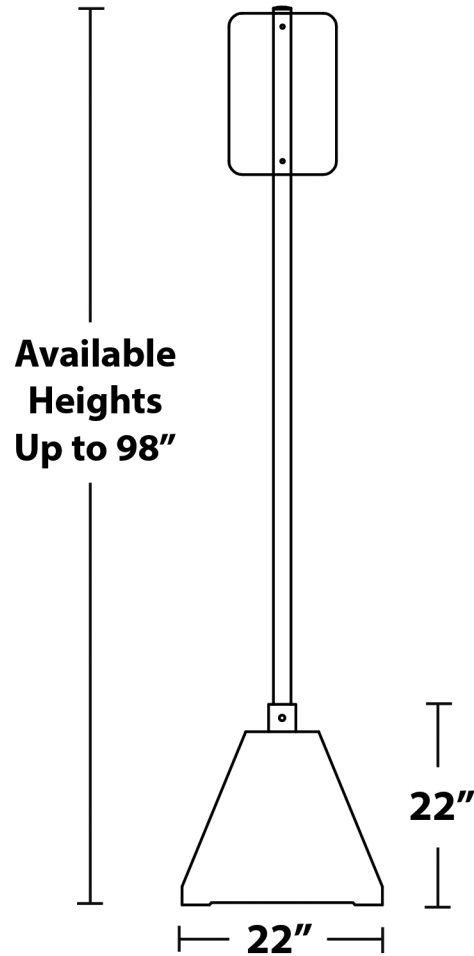


Sign Base - Pyramid Product Specifications



Top View

Sign Post Material: 1.66 OD 14 gauge steel sleeve in HDPE plastic 1.9" OD with plastic cap.

SPECIFICATIONS

Sign Base Material:

1/4" Nominal Wall Thickness
Low-Density Polyethylene Thermoplastic w/ Ultra-Violet and Anti-Static Additives

Sign Base Dimensions:

22" H x 22" W x 22" D

Weight:

30 lbs. with pole

Colors:

Standard colors: OSHA Yellow, Blue or Red
Custom colors available

Height:

Standard Height is 98" with or without wheels

Installation:

Fill with concrete, sand or water
Recommend 100 lbs. of sand or gravel
Up to 22 Gal. of water

NO.	REVISIONS	DATE	APPROVED


 2525 Clark St.
 Detroit, MI 48209

PROJECT	CUSTOMER

DESCRIPTION	DRAWN BY	APPROVED BY	DATE
Sign Base - Pyramid	PROJECT NO.		SCALE
	TITLE		DRAWING NO.
	MATERIAL		SHEET 1 OF 1