
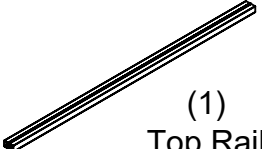
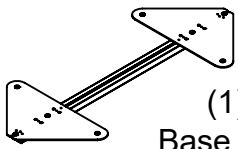

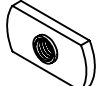
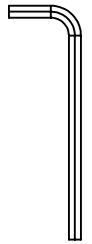
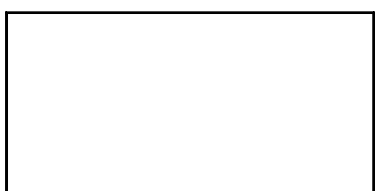
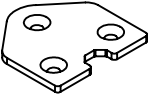
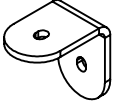



Floor Partition / MPXXXX

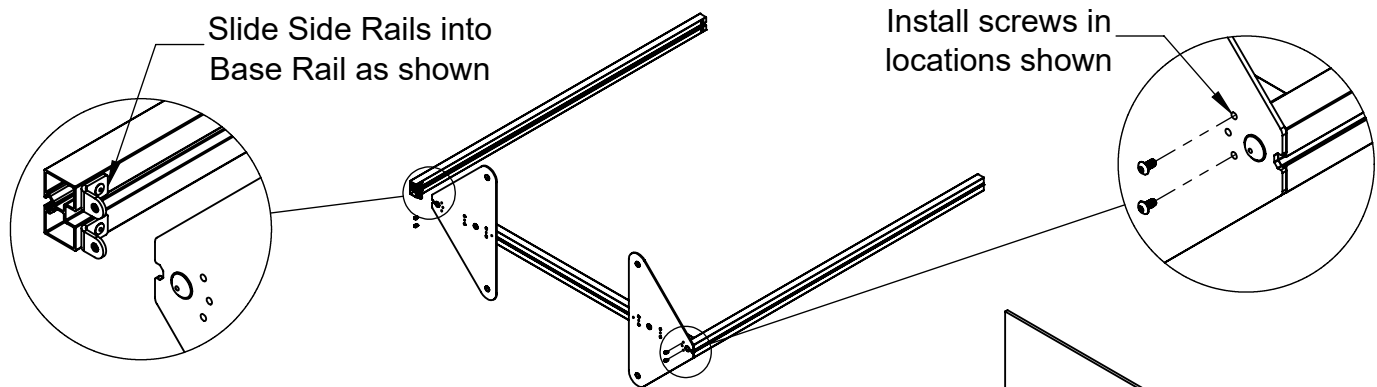
Installation Instructions



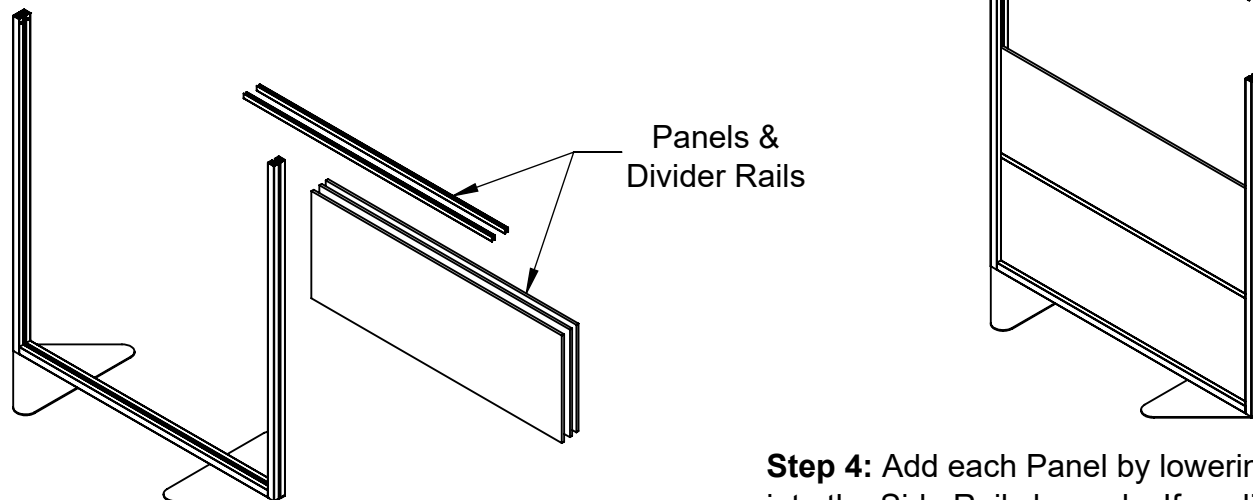
Step 1: Remove and unpack the Panels, Rails, and Hardware.

 (2) Side Rail	 (1) Top Rail	 (1) Base Rail	 (14) #10-32 Screw	 (6) Tee Nut	 (1) 1/8" Hex Wrench
 (1 - 3) Panel		 (2) Top Cap	 (2) Angle Connector	 (0 - 2) Divider Rail	

Step 2: Place the Side Rails and Base Rail onto a clean tabletop surface. Slide the Side Rails into the Base Rail as shown and connect each side with two Screws.



Step 3: Carefully lift the connected Base and Side Rails and place onto the floor. Then gather all Panels and Divider Rails if applicable.



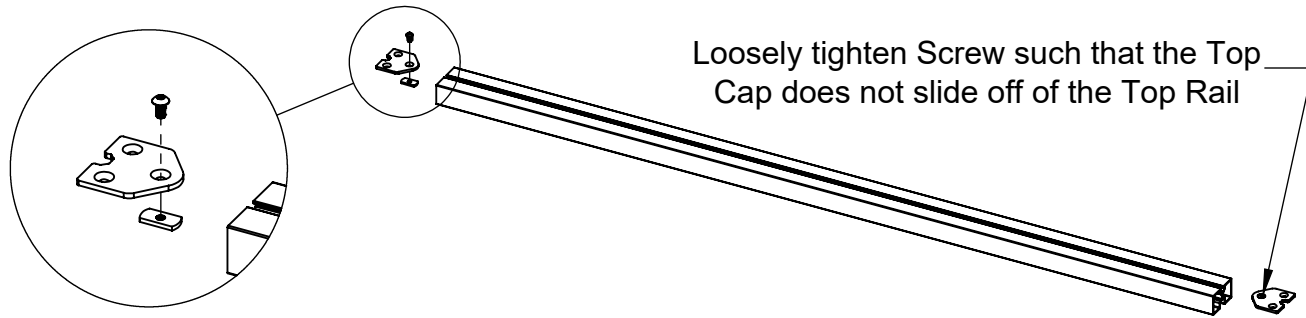
Step 4: Add each Panel by lowering from the top into the Side Rail channels. If applicable use the Divider Rails to separate multiple Panels.

Floor Partition / MPXXXX

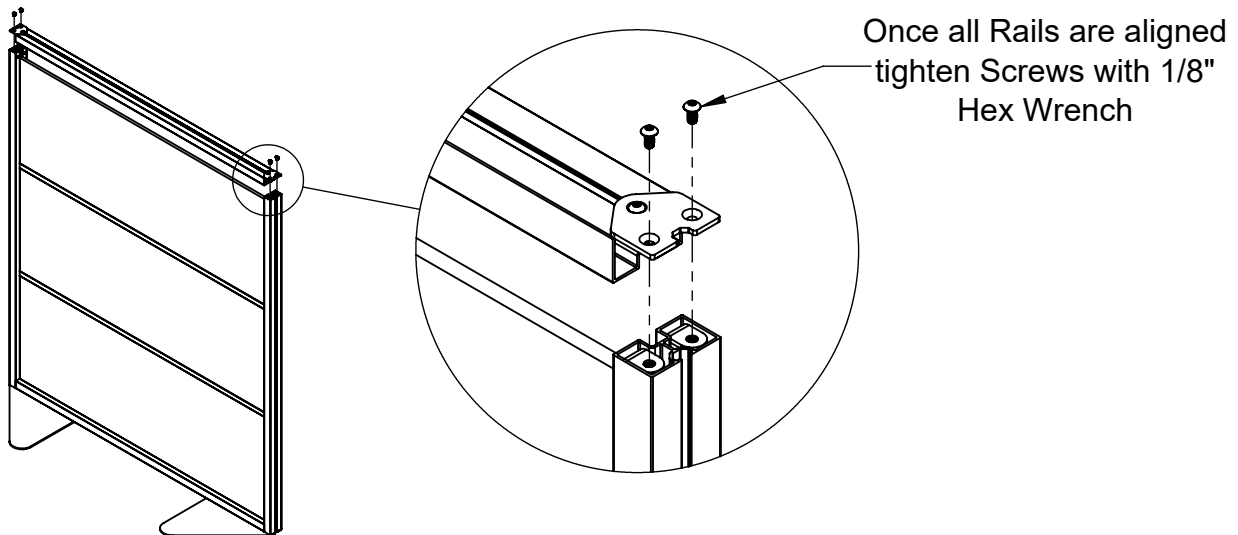
Installation Instructions



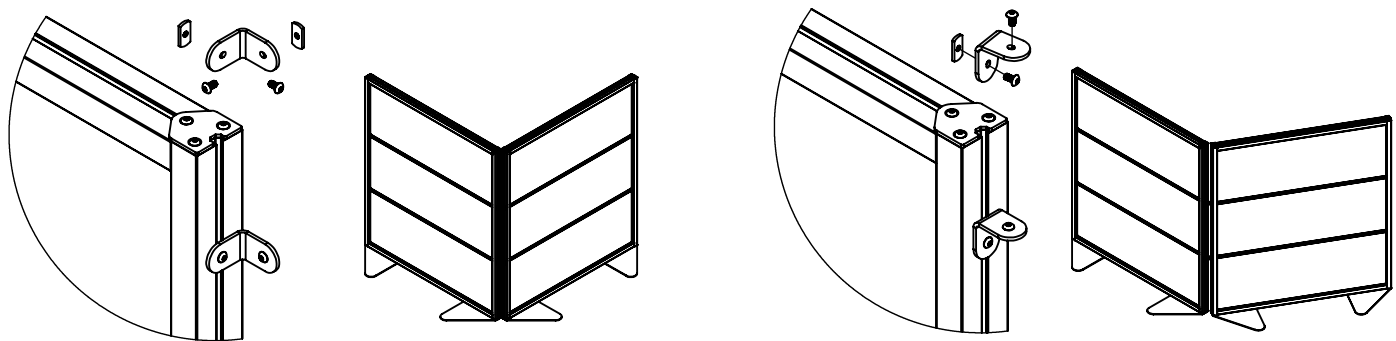
Step 5: On each Top Cap loosely fasten one Screw and Tee Nut together as shown. Then slide both assembled Top Caps onto the Top Rail and gently tighten.



Step 6: Lower the assembled Top Rail onto the Panels and secure the Top Caps in place with two Screws on each side. To minimize gaps between Rails loosen the Screws installed in Step 5 and pull the frame together before retightening.



Step 7 (Optional): Use the Angle Connectors to connect multiple units together. Additional accessory kits are available for flush mount, wall mount, and quad mount configurations.



Right Angle Connection

Free Angle Link

Step 8: Recycle all packaging in accordance with local regulations.