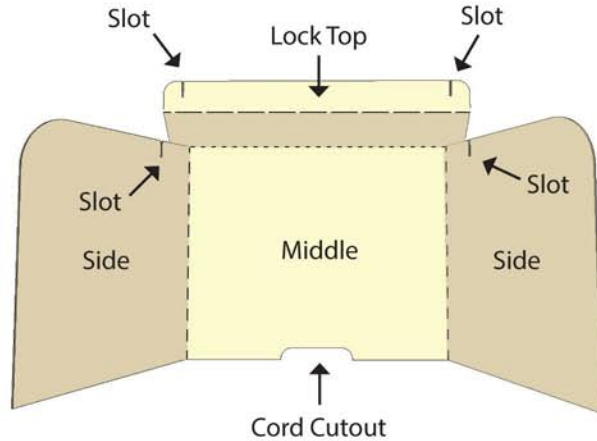


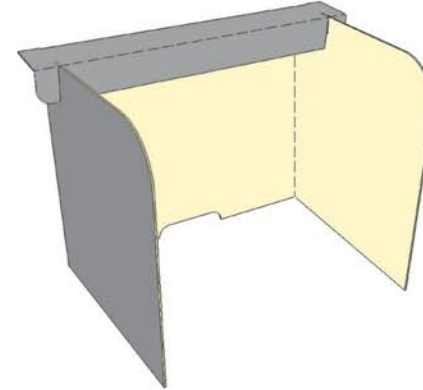
# Desktop Privacy Screen Assembly Instructions



## Step #1

Fold the sides in 90 degrees until they are perpendicular to the middle and parallel to each other.

Fold the Lock Top panel down, inserting the slots into the slots on the side panels.



## Step #2

The completed Desktop Privacy Screen should look like the illustration above.

Note - You may wish to keep the shipping carton to store and protect the Screens when not in use.

Thank you for choosing Flipside products!

Need assistance or have a question? We're happy to help you!  
800.926.0704 or [info@flipsideproducts.com](mailto:info@flipsideproducts.com)



Made from recycled materials  
and is recyclable.